

Features & Benefits

With a lowering distance of up to 14 feet and a weight capacity of up to 160 lbs., the DL3B Series Projector Lifts are the perfect solution for auditoriums, boardrooms, or virtually any room with a high ceiling.

- Lowering distances: 7.5'-14'
- Weight capacity: 160 lbs.
- Three positions: stowed, show, service
- For projectors or flat panel displays
- Position repeatable to better than 1/16"
- Cable management system
- Whisper quiet operation
- Includes programmable wired hand-held remote
- Accessories: optional controls-RS232, IR, RF, optional closure styles for finished or grid tile, plenum enclosures, and cable pre-wire package

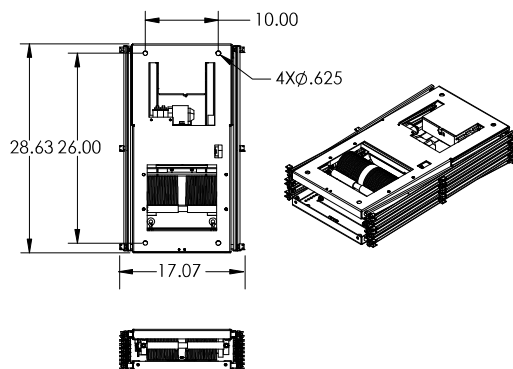


Lift only - no projector or ceiling closure system

| | | | | |
|------------|---------|-----------|------------|----------|
| DL3 B-7.5 | 17.5" w | x 28.5" l | x 6.75" h | 92 lbs. |
| DL3 B-9.5 | 17.5" w | x 28.5" l | x 7.75" h | 97 lbs. |
| DL3 B-11 | 17.5" w | x 28.5" l | x 8.75" h | 102 lbs. |
| DL3 B-12.5 | 17.5" w | x 28.5" l | x 9.75" h | 107 lbs. |
| DL3 B-14 | 17.5" w | x 28.5" l | x 10.75" h | 112 lbs. |

Model Lowering Distance

- DL3 B-7.5 7.5 feet
- DL3 B-9.5 9.5 feet
- DL3 B-11 11 feet
- DL3 B-12.5 12.5 feet
- DL3 B-14 14 feet



All ceiling closures are built to the smallest dimension possible.
Contact Sales for dimensional drawings of your specific projector / installation.

- Contact closure operation- 12V trigger in / out
- Power requirements:
110V, 1.2 amp; 220V, 0.6 amp
- Safety belt for earthquake standards
- Digital electronics with self diagnostics
- User-programmable show / service positions
- Specify projector / lens for proper mount / closure
- Requires Display Devices mount adapter
- 1 year warranty

Metric conversion: inches x 25.4

Drawings & Specifications

www.DisplayDevices.com
sales@DisplayDevices.com

DISPLAY DEVICES
Design • Engineering • Manufacturing

Phone: 877-862-6865
Fax: 303-327-7320

| Model # | DL3B Series Projector Lifts Options and Accessories |
|------------|---|
| xxx | Mounting Adapter interface for projector. Must specify make and model number of projector and lens if projector offers lens options. |
| OPT-1 | Ceiling Closure Frame. Used with drywall or wood ceilings. Provides 2" trim finish for projector opening. Spring loaded and fully adjustable. <u>Note:</u> EBR is recommended for installations with restricted access. |
| OPT-1L | Lipless Ceiling Closure Frame - Provides minimal seam around projector opening for drywall or wood ceilings. Spring loaded and fully adjustable. <u>Note:</u> EBR is recommended for installations with restricted access. |
| OPT-3 | Plenum Rated Housing With Closure Frame - Enclosed support framework and closure frame for drop-tile ceilings with plenum requirements. 2" trim finish for projector opening. Includes ceiling closure, spring-loaded and fully adjustable. |
| OPT-3L | Plenum Rated Housing With Lipless Closure Frame. Enclosed support framework and closure frame for drop-tile ceilings with plenum requirements. Provides minimal seam around projector opening. Includes ceiling closure, spring-loaded and fully adjustable. |
| OPT-4 | Non-Plenum Rated Framework w/ Closure Frame. Support framework and closure frame for drop tile ceilings with non-plenum requirements. 2" trim finish for projector opening. Includes ceiling closure, spring-loaded and fully adjustable. |
| OPT-4L | Non-Plenum Rated Framework w/ Lipless Closure Frame. Support framework and closure frame for drop tile ceilings with non-plenum requirements. Provides minimal seam around projector opening. Includes ceiling closure, spring-loaded and fully adjustable. |
| OPT-5 | Bomb Bay Door ceiling closure system. Provides support framework and dual opening doors for non-plenum applications. |
| OPT-6 | Bomb Bay Door ceiling closure system. Provides support framework and dual opening doors for plenum applications. |
| OPT-9 | RS-232 Serial control interface - allows for unlimited show positions when using a third party control system (Crestron/AMX). |
| OPT-11A | Cable Pre-Wire of lift with control, signal and power cabling. |
| PCS-02 | Power Current Sensor for projectors and Flat Panel Displays, 110V only. |
| REM-IR | Wireless Infrared Remote control. May be used with any motorized Display Devices product. |
| REM-RF | Wireless RF Remote control. May be used with any motorized Display Devices product. |
| WPR-L01-W | Wall Plate Wired Remote for all lifts. Single-gang white. |
| WPR-L01-B | Wall Plate Wired Remote for all lifts. Single-gang black. |
| WPR-L01-S | Wall Plate Wired Remote for all lifts. Single-gang brushed steel. |
| REM-L19-RM | Rack Mount Panel Remote wired control panel. 1.75" x 19" EIA. Black. |
| REM-L02-W | Locking Wall Plate Remote wired control panel with security key lock. 2-gang, white. |
| REM-L02-B | Locking Wall Plate Remote wired control panel with security key lock. 2-gang, black. |
| REM-L02-S | Locking Wall Plate Remote wired control panel with security key lock. 2-gang, brushed steel. |
| SPK-DL3B | Spare Parts Kit - (1) motor, (1) control box, (1) slot sensor, (1) slot sensor wheel, (1) wire harness, & (1) limit switch. |
| EBR | Emergency Brake Release - Lowers lift for service access. Recommended when access to a retracted lift is restricted i.e., drywall. Must be purchased at the same time as the lift. |