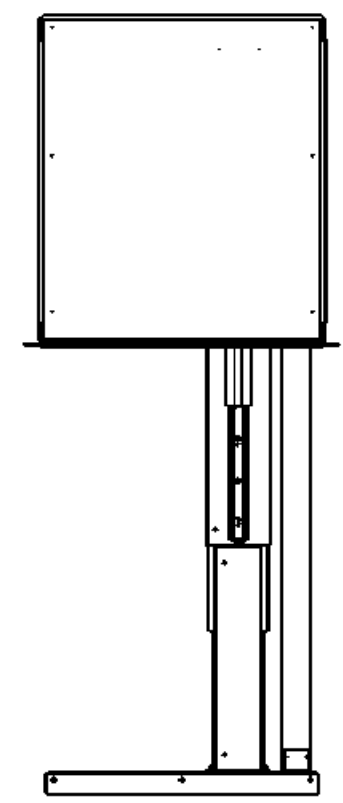
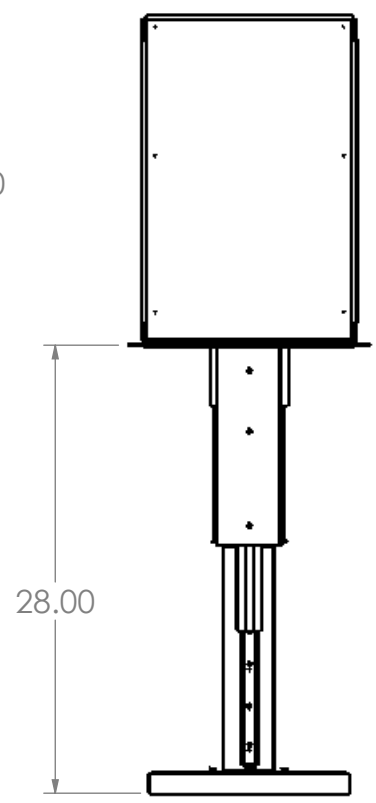
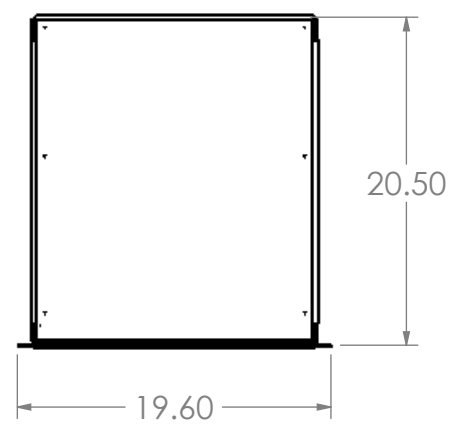
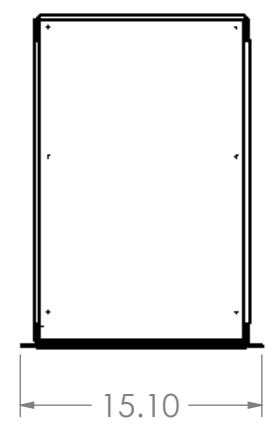
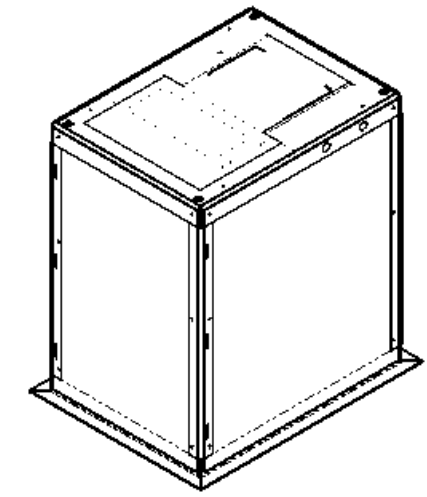
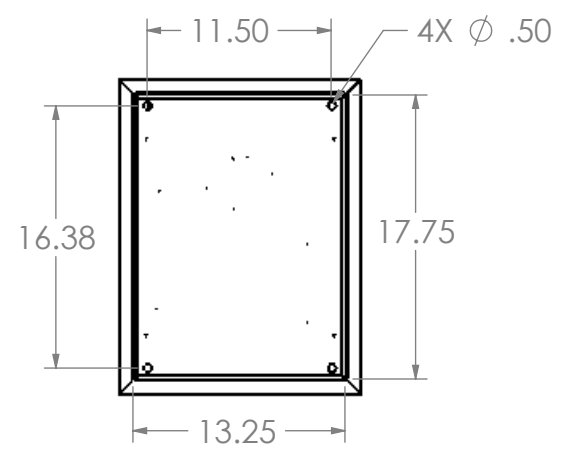


NOTES:

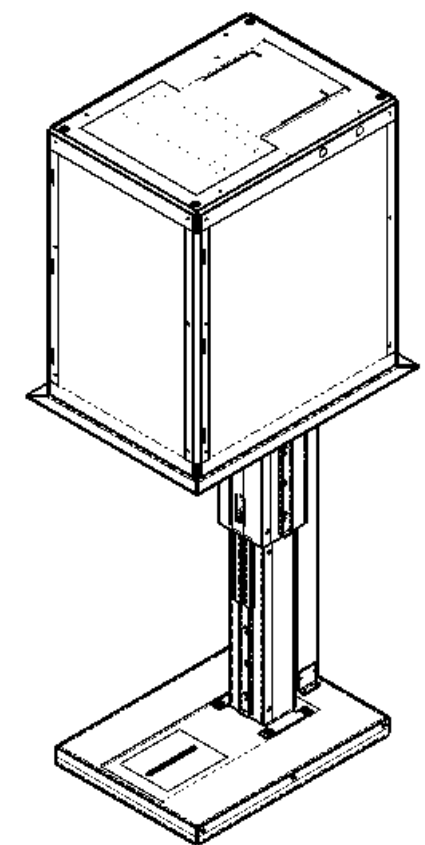
1. DEBUR ALL SHARP EDGES.
2. ALL THREADS TO BE FREE OF POWDER COAT AND, OR PAINT.
3.  $\Delta$  INDICATES CHANGE AT LAST REVISION

REVISIONS			
REV.	DESCRIPTION	DRAWN BY	DATE
A	INITIAL RELEASE	J WITTE	9-29-14
B	CHANGES FROM PROTOTYPE BUILD	JWITTE	5-4-15



UNLESS OTHERWISE SPECIFIED: DIMENSIONS ARE IN INCHES TOLERANCES: .XX = ± .020 .XXX = ± .010 .XXXX = ± .0050 ANGLE: ± .5° INTERPRET DRAWING PER Y14.100.	DRAWN BY <b>J WITTE</b>	<b>DISPLAY DEVICES, INC</b> GOLDEN, CO TITLE: <b>CAMERA LIFT 28" DROP</b>		
	DIMENSIONS AND TOLERANCES ARE IN ACCORDANCE WITH ASME Y14.5 - 2009.			MATERIAL  FINISH  <b>PROPRIETARY AND CONFIDENTIAL</b> THE INFORMATION CONTAINED IN THIS DRAWING IS THE SOLE PROPERTY OF DISPLAY DEVICES, INC. ANY REPRODUCTION IN PART OR AS A WHOLE WITHOUT THE WRITTEN PERMISSION OF DISPLAY DEVICES, INC IS PROHIBITED.
THIRD ANGLE PROJECTION 	DO NOT SCALE DRAWING	SCALE: 1:12 <small>FILE NAME: 8276-00200</small>	SHEET 1 OF 2	

ITEM #	EXTEND/QTY.	PART #	DESCRIPTION	ITEM #	EXTEND/QTY.	PART #	DESCRIPTION
1	1	8276-00201	FRAME WELDMENT	38	1	4600-18860	5/16" I-BOLT
2	1	2050-11300	17T SPROCKET MODIFICATION	39	2	25-008	PLATE, BEARING RETAINER
3	1	2050-00007	10T SPROCKET MODIFICATION	40	4	5950-14000	1/4 X 5/8 X 1/16, FL WASHER, NY, B
4	1	5300-11430	GEAR REDUCER	41	1	8276-00225	JBOX BRKT
5	1	5300-11430	GEAR MOTOR	42	1	8276-00226	SWITCH BRKT
6	1	-	CAPACITOR, 6.0 MICROFERAD/300V	43	1	8005-07000	BRAKE RELEASE BOX
7	1	8276-00218	DRUM WELDMENT, CAMERA LIFT	44	1	8030-03400	CONTROL BOX, EBR ASSY
8	2	2000-12930	1/2" ID X 1-1/8" OD X 5/16" BEARING	45	1	3700-00004	IGUS CHAIN
9	1	8030-02700	CABLE STRAP PLATE - DRUM	46	2	8276-00227	IGUS BRKT
10	1	3700-11080	CHAIN 35 PITCH	47	1	4600-00180	COLLAR, SHAFT, 1/2" BORE, 1" O.D.
11	1	8276-00221	SHAFT, PINCH ROLLER	48	1	5800-00045	IGUS BRACKETS MALE/FEMALE SET
12	1	8007-25560	ROLLER, PINCH, CABLE SAFETY	49	1	5600-00015	CORD, PWR CORD, US, 110V
13	2	5900-10037	1/4-20 X 1.75, CARRIAGE, STL, ZI	50	2	4600-12800	SLEEVE, ZINC COPPER, 1/8
14	2	4600-18710	SPRING, .035W X .420OD X .350ID X .5L	51	1	8028-00500	UP DOWN STOP LIFT REMOTE
15	1	3450-21120	SINGLE GANG BOX EXTENSION	52	1	8028-06400	LCD WIRE HARNESS
16	1	8276-00208	TRIM RING	53	2	8276-00228	SKIN, SIDE
17	1	8276-00210	CAMERA MTG PAN	54	1	8276-00229	SKIN, FRONT
18	1	4650-10800	LIMIT SWITCH	55	1	8276-00230	SKIN, REAR
19	1	8276-00215	TELESCOPING SLIDE ASY	56	1	8276-00231	SKIN, TOP
20	1	8276-00216	SUPPORT PLATE				
21	2	6000-1607	1/4-20 HEX JAM NUT, STL, ZI				
22	2	2000-11150	BEARING, THRUST, WSHR., .312X.75X.031				
23	1	2000-10750	BEARING, THRUST, RACE, 35MMX52MM				
24	1	6000-11500	5/16-18, HX NUT, GR5, PL				
25	1	6000-12400	5/16-18, NYLK NUT, STL, ZI				
26	1	5950-12300	5/16, FL WASHER, STL, ZI				
27	1	8276-00217	EYE-BOLT BRKT				
28	1	8008-00800	SLOT SENSOR WHEEL				
29	1	8276-00222	PLATE, CABLE SAFETY				
30	2	5900-33750	1/4-20 X 5/8, RD WASHER HEAD, MLD NYL				
31	6	5950-12350	1/4, FL WASHER, SAE, STL, PL				
32	2	6000-12350	1/4-20, NYLK JAM NUT, HX, STL, ZI				
33	2	5950-13900	1/4 OD X .115 ID X 032 T, WASHER, NY				
34	1	6000-12850	4-40, NYLK NUT, HX, STL, ZI				
35	1	8276-00223	PILLAR, LH				
36	1	8276-00224	PILLAR, RH				
37	1	8900-20250	SLOT SENSOR				



SIZE	DWG. NO.	REV
<b>B</b>	<b>8276-00200</b>	<b>B</b>
SCALE: 1:12	SHEET 2 OF 2	