

DISPLAY DEVICES

Ceiling Trim Ring for Sound Enclosures

Thanks for purchasing a Display Devices product. We're sure your customer will use this product for years to come. Our products are designed to be maintenance-free saving you future service time. If you experience any difficulties, please contact us at 303-412-0399. Thank you for your support.

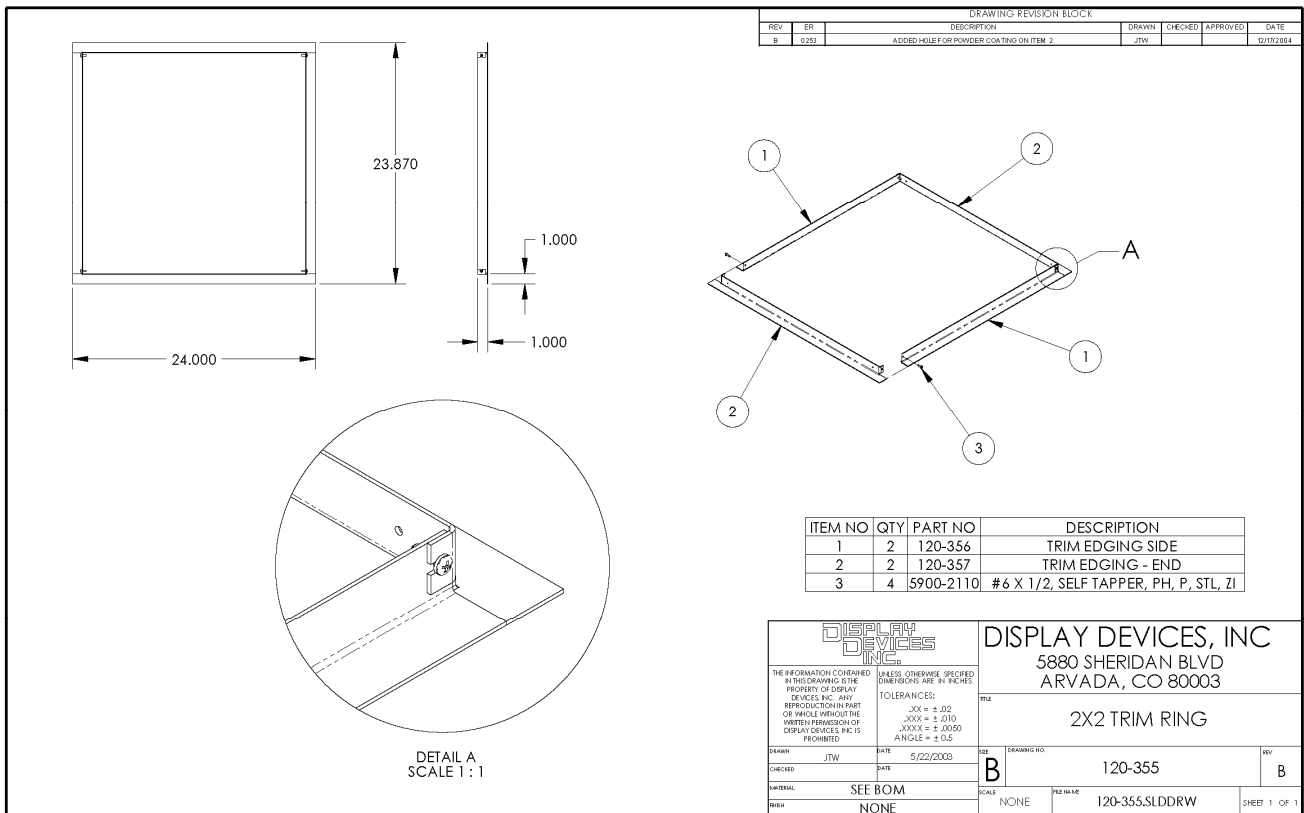
The Ceiling Trim Ring is designed to mount to the lower cavity of Display Devices Sound Enclosures. When the enclosure is open, the Ceiling Trim Ring will lower with the cavity. **Ceiling tile must be supported by the T-grid and *not* this Trim Ring.** This Trim Ring is designed to conceal rough edges of ceiling tiles.

Tools required: Phillips-head screw bit and electric screw gun/drill, duct tape

Important

When mounting this assembly to the enclosure - be sure the ring is level with the ceiling tiles.

- 1.) Determine vertical location above the projection port. Mark all sides of the enclosure where the bottom of the trim ring is desired.
- 2.) Align the (2) Trim Edge Ends (part #2) on opposing sides of the enclosure, hold in place with duct tape.
- 3.) Screw the self-tapping screws into the mount hole. Do not tighten.
- 4.) Insert the slots of the (2) Trim Edge Sides (part #1) into the mount screw and tighten.



12/04
tel: 303.412.0399
fax: 303.412.9346