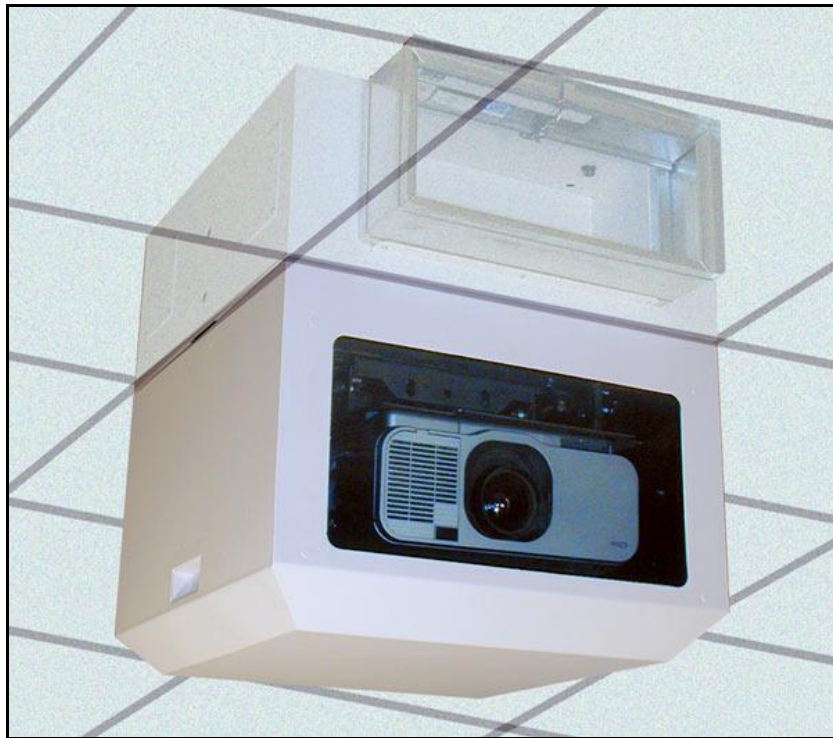


DISPLAY[®] DEVICES

SE-B1 ***Sound Enclosure***



Installation Manual

READ ALL INSTRUCTIONS BEFORE BEGINNING INSTALLATION

03/08
tel: 303.412.0399
fax: 303.412.9346

1

5880 Sheridan Blvd., Arvada, Colorado 80003

www.displaydevices.com
tech@displaydevices.com

DISPLAY DEVICES

SE Series Sound Enclosures

Thanks for purchasing a Display Devices product. We're sure your customer will use this product for years to come. Our products are designed to be maintenance-free saving you future service time. If you experience any difficulties, please contact us at 303-412-0399. Thank you for your support.

The Sound Enclosure is designed to relocate projector noise to above a false ceiling. Sound Enclosures work best when installed as part of a complete sound isolation system. For optimum sound isolation, we recommend the following:

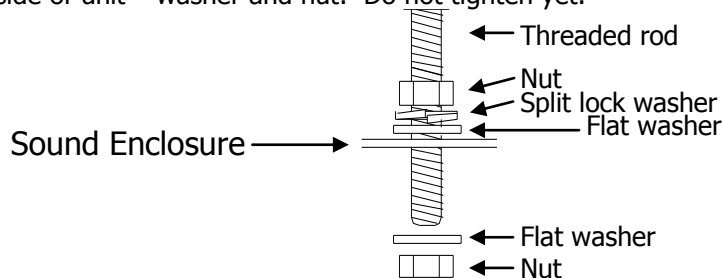
- Add intake and exhaust ducts to the enclosures' fire dampers – six feet or longer – this disperses the sound away from the area it originates.
- Insulate around the upper cavity on top of the ceiling tiles/media. Insulating this area increases the barrier you create between the viewer and the noise source.
- Plumb the unit to an external fresh air source, plumb the exhaust to another area away from the viewing room.
- Air intake is located on the projection port side.

Tools required: Material Lift
Phillips head screwdriver
Powered screwdriver with Phillips bit
3/4", 9/16" and 7/16" socket and open end wrenches
5" socket extension

Important:

DO Ensure the ceiling structure is capable of holding at least **four times** the combined weight of the enclosure **and** projector. This is a **minimum** requirement. Follow any local or state codes that apply to your specific area. We recommend two people and a material lift for this installation.

- 1.) Install structural support for sound enclosure unit – utilize 3/8" (M10) threaded rod and hardware to bolt the unit into place. We recommend using a structural channel above the unit for lateral positioning of the box.
- 2.) Remove access panel(s) to access mount holes (on the 2x2 configuration, one set of mount holes are accessible at the fan intake). You may also reach in through the projector port for access.
- 3.) Raise the unit up on a material lift to the appropriate vertical height. The seam where the upper and lower cavities are together in the closed position should be slightly above your finished ceiling line. Be sure to have a sufficient amount of threaded rod to provide leveling room. Add hardware as follows for leveling: above unit – nut/lock washer/flat washer; underside of unit – washer and nut. Do not tighten yet.



03/08
tel: 303.412.0399
fax: 303.412.9346

2

www.displaydevices.com
tech@displaydevices.com

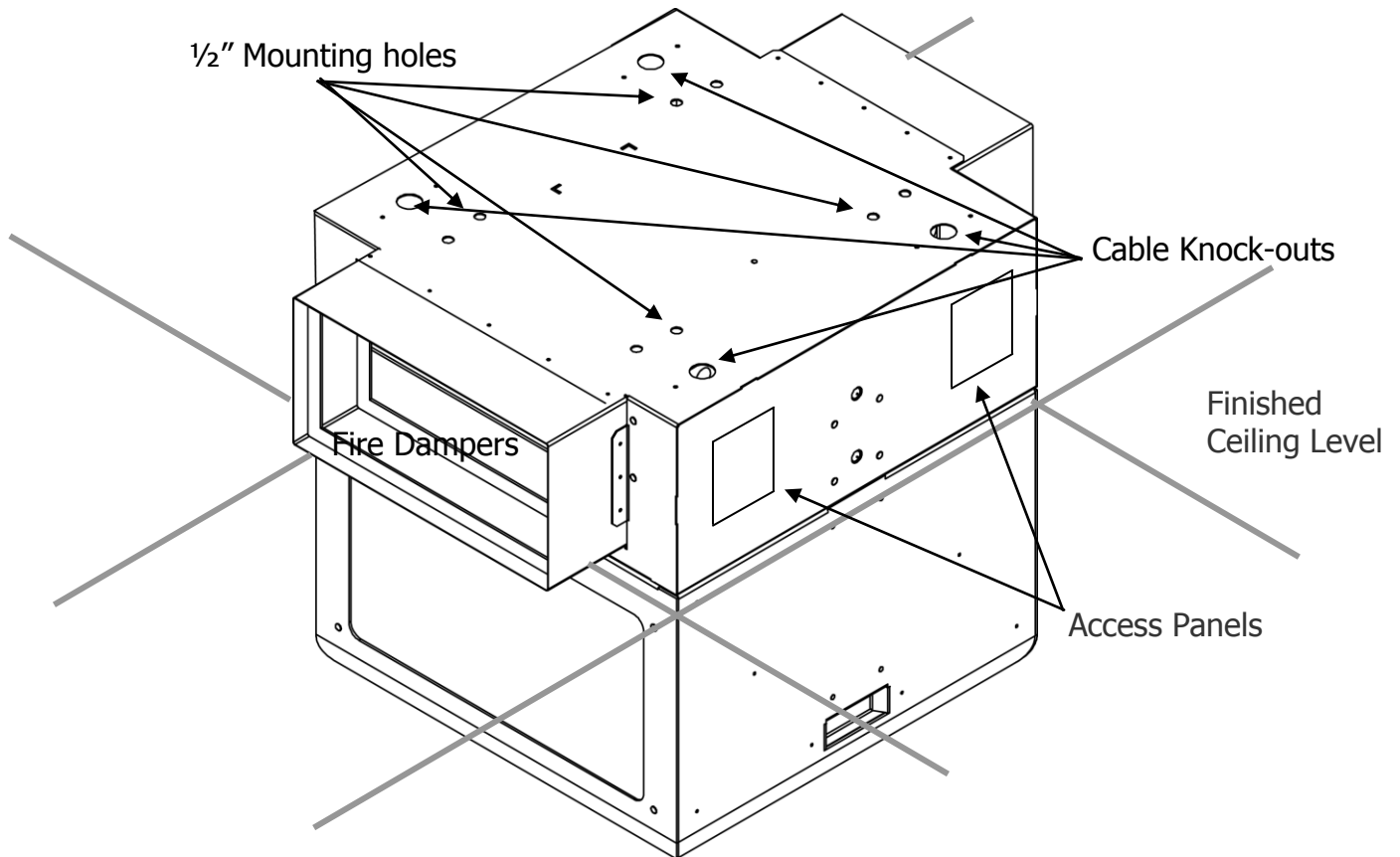
5880 Sheridan Blvd., Arvada, Colorado 80003

DISPLAY DEVICES

- 4.) Use a bubble level to level the unit front-to-back and side-to-side. Tighten hardware.
- 5.) To attach the fire dampers to the intake and exhaust ports, use the enclosed Phillips-head sheet metal screws.
- 6.) Add runs of ductwork on the intake and exhaust fire dampers. Addition of ducts disperses the sound above the ceiling further away from the projector. Sound isolating ductwork is recommended. If additional sound dampening is desired, we recommend an auto sound insulation material.
- 7.) **CAUTION:** After the unit is hung in position, the lower portion of the enclosure will want to lower due to gravity if not latched! Slide the lower portion of the unit down until it reaches the stop point. Be sure to use pull evenly on the cavity handles. **DO NOT TRY TO LOWER OR OPEN ONLY USING ONE HANDLE.**
- 8.) Verify the mount position front-to-back and side-to-side. Adjust the position of the mount if required. Front-to-back: loosen the (4) 3/4" bolts on the "L" brackets in the side Unistrut channels. Move the mount/cross rails to the appropriate position – tighten the hardware in the side channels. (THESE ARE UNISTRUT NUTS AND WILL TURN/UNLOCK WHEN LOOSENED – BE SURE THEY ROTATE WHEN TIGHTENED AND LOCK INTO CHANNEL). To position the mount left to right inside the enclosure, loosen the (4) 7/16" bolts on the tilt axis. With a long extension socket wrench, insert
- 9.) Loosen the (4) thumbscrews on the mount (only 2 if it is a small mount footprint). Slide the mount back so the thumbscrews align with the large holes on the keyway slots. Remove the mount interface plate.
- 10.) Align the mount interface plate to the projector and attach with the enclosed hardware.
- 11.) Install the projector with the attached interface plate. Raise thumbscrews up in the slots, then slide the projector forward until it stops. Tighten the thumbscrews. Be sure to keep a 2" clearance from the projector's exhaust fans to the wall of the unit.
- 12.) Plumb AC power to the power supply – remove a knock-out and secure with strain relief. Power input is on the power supply with an IEC connector.
- 13.) Plug your projector into the switched power outlet inside on the power supply.
- 14.) Remove another knock-out to route your projector signal/control cables. Secure with strain relief.
- 15.) Remove blue film from glass then position in projection port. Add top hold down strip and (2) 14"-20 nuts. Tighten nuts until glass is snug between gaskets.
- 16.) Finish ceiling tile tightly up to sides of upper box. Use insulating materials above ceiling tile to isolate sound.
- 17.) Turn on the power supply, then turn on the projector and adjust your projected image to the screen.

DISPLAY_® DEVICES

- 18.) Slide the lower portion of the unit up until it latches.
- 19.) See the temperature controller section below to set fan temperature settings.



2x2 Sound Enclosure shown

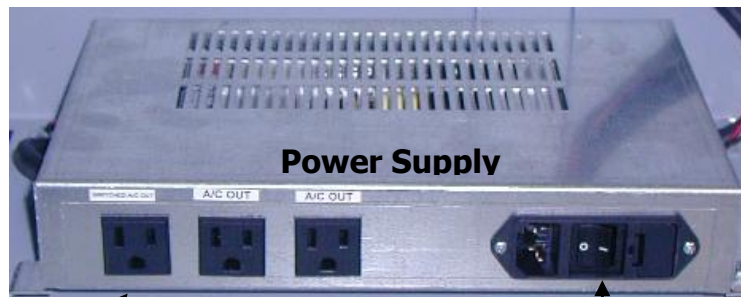
DISPLAY_® DEVICES

Temperature Controller Operation

The Programmable Cooling System provides two levels of fan control, an audible alarm, switched AC power-down, and displays the current temperature of the enclosure.

Factory presets: Fan set 1: 70°
 Fan set 2: 74°
 Alarm: 100°
 Power off: 104°

To start operation, turn on the AC switch on the power supply. The controller may sound an alarm, and the fans will turn on for 10 to 20 seconds. The system will then reset to a start state.



Switched AC

Unswitched AC

AC input - On/Off Switch



RS232 Optional

03/08
tel: 303.412.0399
fax: 303.412.9346

5

5880 Sheridan Blvd., Arvada, Colorado 80003

www.displaydevices.com
tech@displaydevices.com

DISPLAY DEVICES

- **Programming:** There are four parameters to program. Each is programmed in the same sequence. The control panel has four pushbuttons labeled SELECT MENU, Cursor UP, Cursor DOWN and SAVE. The associated Power Supply is provided with an IEC AC power cord and On / Off switch.
- **LED Display:** The LED display provides two rows of text. When the system is powered up, the LED display will read "Display Devices" and "Current Temp (number)." The two-digit number indicates the current temperature. Pressing the SELECT MENU button will provide access to different programmable functions. If buttons are not pressed, the display will automatically reset to "Current Temp" display after approximately 30 seconds.
- **Programming Temperature Control Level One:** Press the SELECT MENU button once and the display will read "Set Fan Lev1 (number)". This number indicates the temperature at which the Control One fans will begin operation. The second row of text will change between "Current Temp" and current system status. If current temp is higher than the programmed point for level 1 fans, the display will indicate "Fans On Level 1." Press the UP or DOWN button to select desired temperature for Control One fans. Press SAVE.
- **Programming Temperature Control Level Two:** Press the SELECT MENU button to display "Set Fan Lev2 (number)". This number indicates the temperature at which the Control Two fans will begin operation. Press the UP or DOWN button to select desired temperature for Control Two fans. Press SAVE.
- **Programming Alarm Level:** Press the SELECT MENU button to display "Set Alarm Lev. (number)." This number indicates the temperature at which the audible alarm will sound. Press the UP or DOWN button to select desired temperature for Audible Alarm. Press SAVE.
- **Programming Power Off:** Pressing the SELECT MENU button again will show "Set Power Lv". This will provide removal of power from the switched AC outlet. Press the UP or DOWN button to select desired temperature for removal of power at switched AC. Press SAVE.
- **Selecting Temp. Standard:** Pressing the SELECT MENU button again will show either Fahrenheit or Celsius. Pressing the Up or Down buttons will change the temperature format. Press SAVE.

DISPLAY DEVICES

DRAWING REVISION BLOCK			
REV	DATE	DESCRIPTION	BY
1	03/08	INITIAL DESIGN	JSM
2	03/08/08	UPDATE FROM BUREAU OF LABORATORIES	JSM

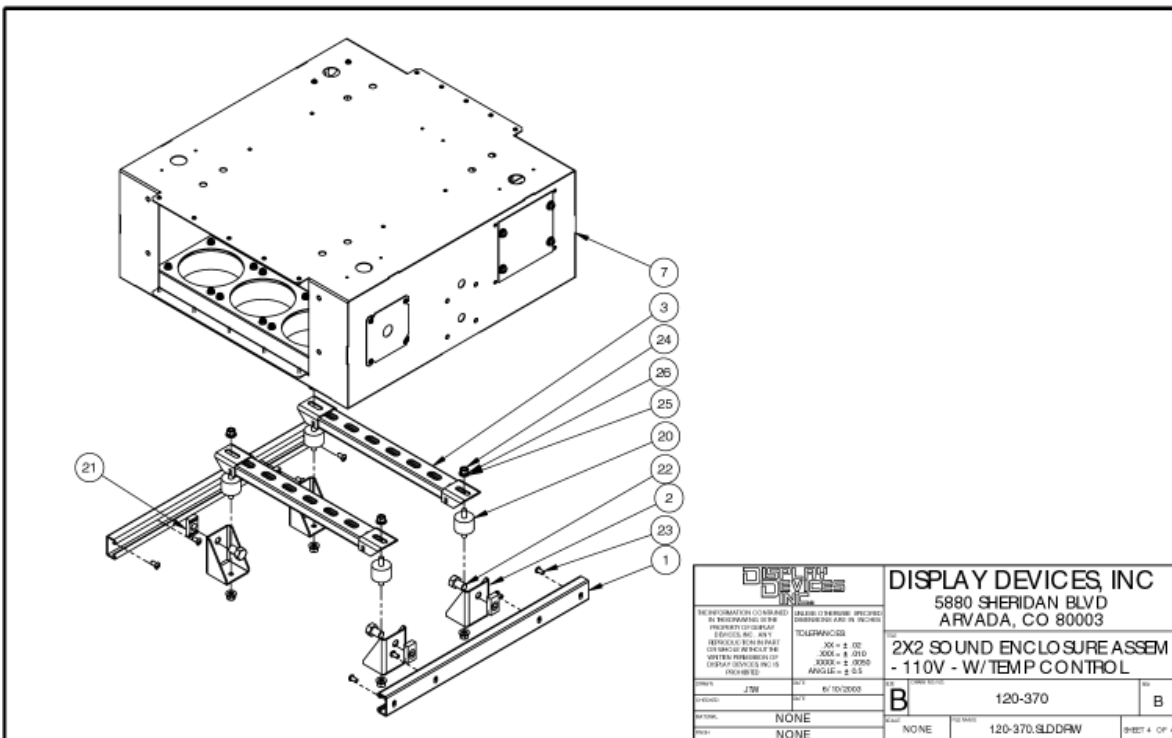
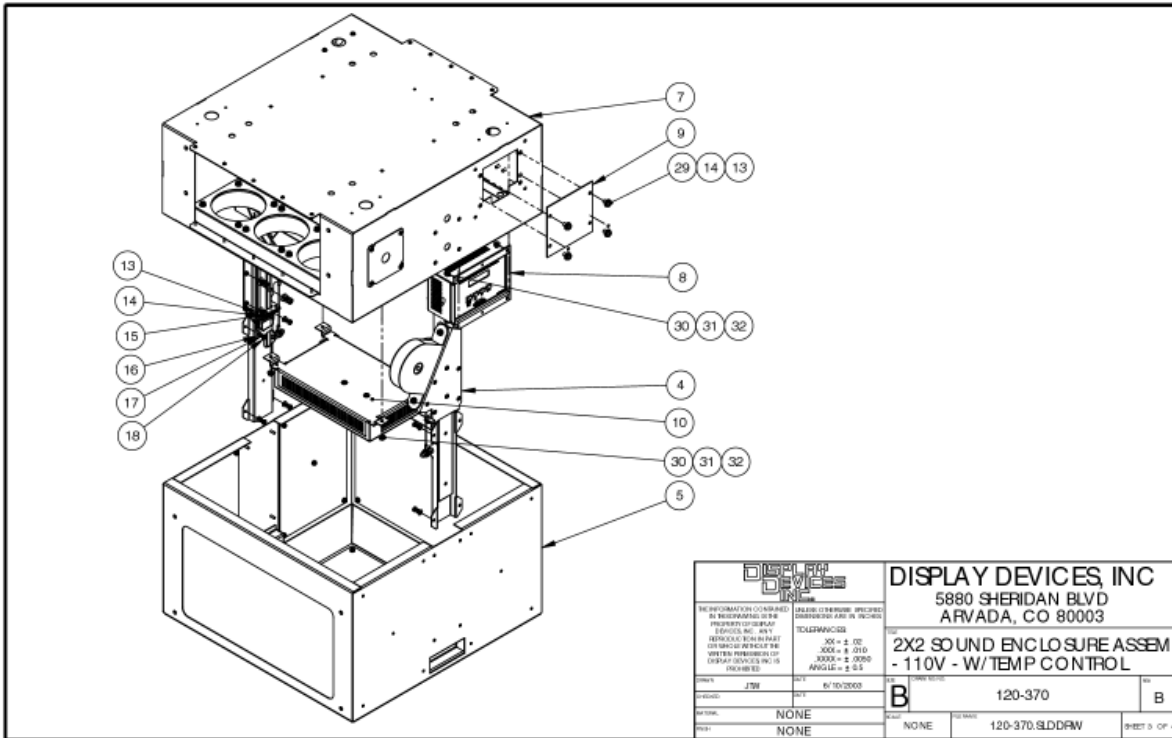
ITEM NO	QTY	PART NO	DESCRIPTION
1	2	120-220	SLIDE RAIL
2	4	120-221	"L" BRACKET
3	2	120-222	HANGER
4	2	120-232	SLIDE ASSEMBLY
5	1	120-300	2 X 2 LOWER SOUND ENC ASSY
6	2	120-307	WARNING LABEL
7	1	120-371	UPPER ASSEMBLY
8	1	107-088	CONTROL BOX ASSY
9	1	120-436	CONTROLS COVER
10	1	107-098	POWER SUPPLY U.S.
11	1	3200-1005	FIRE DAMPER 16 X 8
12	1	3200-1000	ENCLOSURE FIRE DAMPER
13	12	5950-12350	1/4 FL WASHER, SAE, STL, PL
14	12	5950-1325	1/4 LK WASHER, STL, PL
15	8	6000-1140	1/4-20, HX NUT, STL, ZI
16	8	5950-1210	#8 FL WASHER, STL, ZI
17	8	5950-1315	#8 LK WASHER, STL, ZI
18	8	6000-1025	8-32 HX NUT, STL, ZI
19	4	4600-1335	VIBRATION ISOLATOR
20	4	6000-1010	UNISTRUT P9010, 1/2-13 CHANNEL NUT
21	4	5900-2345	1/2-13 X 3/4" HHCS, HX, GR5, ZI
22	8	5900-1095	1/4-20 X 1/2", BHCS, HX, GR5, BO
23	8	6000-1560	5/16-18, HX NUT, STL, ZI
24	8	5950-1230	5/16, FL WASHER, STL, ZI
25	8	5950-1070	5/16, LK WASHER, STL, PL
26	20	5900-2110	#6 X 1/8, SELF TAPPER, PH, P, STL, ZI
27	1	3450-2055	BOX, SINGLE GANG, GALV
28	1	4000-2100	CONN, 3/8, CAB & CLAMP, NON-METALLIC
29	4	5900-9095	1/4-20 X 1/2", PH, P, STL, ZI
30	8	5950-11900	#10, FL WASHER, STL, ZI
31	8	5950-1355	#10, LK WASHER, STL, ZI
32	8	6000-1075	10-32, HX NUT, STL, ZI

<p>THE INFORMATION CONTAINED HEREIN IS UNCLASSIFIED DATE 03/08/08 BY 60322 JSM/STP</p>	<p>DISPLAY DEVICES, INC 5880 SHERIDAN BLVD ARVADA, CO 80003</p> <p>2X2 SO AND ENCLOSURE ASSEM - 110V - W/TEMP CONTROL</p> <p>REV: B 120-370</p> <p>DATE: 03/08/08</p> <p>BY: JSM</p> <p>NO. OF SHEETS: 4</p> <p>SHEET: 1 OF 4</p>
--	--

<p>THE INFORMATION CONTAINED HEREIN IS UNCLASSIFIED DATE 03/08/08 BY 60322 JSM/STP</p>	<p>DISPLAY DEVICES, INC 5880 SHERIDAN BLVD ARVADA, CO 80003</p> <p>2X2 SO AND ENCLOSURE ASSEM - 110V - W/TEMP CONTROL</p> <p>REV: B 120-370</p> <p>DATE: 03/08/08</p> <p>BY: JSM</p> <p>NO. OF SHEETS: 4</p> <p>SHEET: 2 OF 4</p>
--	--

03/08
tel: 303.412.0399
fax: 303.412.9346

DISPLAY DEVICES



03/08
 tel: 303.412.0399
 fax: 303.412.9346