

Features & Benefits

The DL3W Series Projector Lifts are designed for large-venue projectors and flat screens that require long lowering distances.

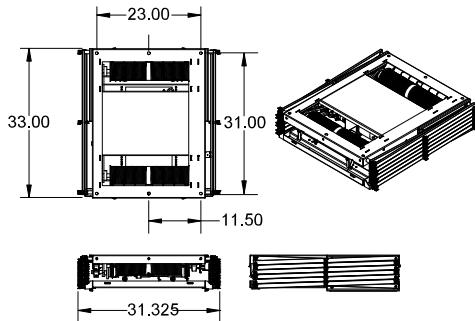
- Lowering distances: 12'-28'
- Weight capacity: 400 lbs.
- Three positions: stowed, show, service
- Position repeatable to better than 1/16"
- Cable management system
- Whisper-quiet operation
- Includes programmable wired hand-held remote
- Accessories: optional controls- RS232, IR, RF, optional closure styles for finished, for grid tile, plenum enclosures, AVStack frames and motorized rotation, cable pre-wire package



Lift only - no projector or ceiling closure system

DL3 W-12	31.5"w x 33.0"l	x 7.25"h	199 lbs.
DL3 W-14	31.5"w x 33.0"l	x 8.25"h	202 lbs.
DL3 W-16	31.5"w x 33.0"l	x 9.25"h	218 lbs.
DL3 W-18	31.5"w x 33.0"l	x 11.25"h	228 lbs.
DL3 W-20	31.5"w x 33.0"l	x 12.25"h	238 lbs.
DL3 W-24	31.5"w x 33.0"l	x 14.25"h	247 lbs.
DL3 W-28	31.5"w x 33.0"l	x 17.25"h	252 lbs.

Model	Lowering Distance
DL3 W-12	12 feet
DL3 W-14	14 feet
DL3 W-16	16 feet
DL3 W-18	18 feet
DL3 W-20	20 feet
DL3 W-24	24 feet
DL3 W-28	28 feet



All ceiling closures are built to the smallest dimension possible. Contact Sales for dimensional drawings of your specific projector / installation.

- Contact closure operation - 12V trigger
- Power requirements: 110V, 3.5 amp; 220V, 2 amp
- Dual drive drums for safety
- Digital electronics with self diagnostics
- User-programmable show / service positions
- Specify projector / lens for proper mount / closure
- Requires Display Devices mount adapter
- 1 year warranty

Metric conversion: inches x 25.4

Drawings & Specifications

Model #	DL3W Series Projector Lifts Options and Accessories
xxx	Mounting Adapter interface for projector. Must specify make and model number of projector and lens if projector offers lens options.
OPT-1	Ceiling Closure Frame. Used with drywall or wood ceilings. Provides 2" trim finish for projector opening. Spring loaded and fully adjustable. <u>Note:</u> EBR is recommended for installations with restricted access.
OPT-1L	Lipless Ceiling Closure Frame - Provides minimal seam around projector opening for drywall or wood ceilings. Spring loaded and fully adjustable. <u>Note:</u> EBR is recommended for installations with restricted access.
OPT-3	Plenum Rated Housing With Closure Frame - Enclosed support framework and closure frame for drop-tile ceilings with plenum requirements. 2" trim finish for projector opening. Includes ceiling closure, spring-loaded and fully adjustable.
OPT-3L	Plenum Rated Housing With Lipless Closure Frame. Enclosed support framework and closure frame for drop-tile ceilings with plenum requirements. Provides minimal seam around projector opening. Includes ceiling closure, spring-loaded and fully adjustable.
OPT-4	Non-Plenum Rated Framework w/ Closure Frame. Support framework and closure frame for drop tile ceilings with non-plenum requirements. 2" trim finish for projector opening. Includes ceiling closure, spring-loaded and fully adjustable.
OPT-4L	Non-Plenum Rated Framework w/ Lipless Closure Frame. Support framework and closure frame for drop tile ceilings with non-plenum requirements. Provides minimal seam around projector opening. Includes ceiling closure, spring-loaded and fully adjustable.
OPT-5	Bomb Bay Door ceiling closure system. Provides support framework and dual opening doors for non-plenum applications.
OPT-6	Bomb Bay Door ceiling closure system. Provides support framework and dual opening doors for plenum applications.
OPT-9	RS-232 Serial control interface - allows for unlimited show positions when using a third party control system (Crestron/AMX).
OPT-11A	Cable Pre-Wire of lift with control, signal and power cabling.
PCS-02	Power Current Sensor for projectors and Flat Panel Displays, 110V only.
REM-IR	Wireless Infrared Remote control. May be used with any motorized Display Devices product.
REM-RF	Wireless RF Remote control. May be used with any motorized Display Devices product.
WPR-L01-W	Wall Plate Wired Remote for all lifts. Single-gang white.
WPR-L01-B	Wall Plate Wired Remote for all lifts. Single-gang black.
WPR-L01-S	Wall Plate Wired Remote for all lifts. Single-gang brushed steel.
REM-L19-RM	Rack Mount Panel Remote wired control panel. 1.75" x 19" EIA. Black.
REM-L02-W	Locking Wall Plate Remote wired control panel with security key lock. 2-gang, white.
REM-L02-B	Locking Wall Plate Remote wired control panel with security key lock. 2-gang, black.
REM-L02-S	Locking Wall Plate Remote wired control panel with security key lock. 2-gang, brushed steel.
SPK-DL3B	Spare Parts Kit - (1) motor, (1) control box, (1) slot sensor, (1) slot sensor wheel, (1) wire harness, & (1) limit switch.
EBR	Emergency Brake Release - Lowers lift for service access. Recommended when access to a retracted lift is restricted i.e., drywall. Must be purchased at the same time as the lift.
EMRCM	Electronic Motorized Rotating Ceiling Mount. Adds rotation of a projector to DL3W projector lift. Controlled via third party RS-232 (i.e., Crestron, AMX, etc.) to allow nine programmable vertical and rotational show positions. Weight capacity 100 lbs. 110V/220V.