



EAGLE

PAN TILT SYSTEMS

Helping to bring your world
into focus



Eagle PT-250 Pan Tilt head shown with Hitachi DK-H32 camera and Autoscript prompter

The EAGLE® PT-250 pan-tilt head is a heavy-duty, easy to use unit. It is designed for use in many areas, some of which are studio news gathering for television broadcast, governmental and entertainment venues.

The PT-250's large load capacity allows for the usage of ENG or box-style cameras, with up to 15 to 17" LCD prompter systems.

The head has excellent motion characteristics, with a range of motion of 340° in pan and 180° in tilt. The unit has three overall speed ranges variable from 0° to 30° per second in both pan and tilt. Backlash is adjustable to compensate for wear. Speed is completely variable from zero to

EAGLE® PT-250 PAN TILT HEAD

Remote control via direct wire, optional modem or user provided fiber optic link using RS-485 protocol

Adjustable backlash worm gear driven for smooth, accurate, repeatable performance

Uses DC servo-stepper motors controlled by pulse width modulation for excellent low speed torque

Vector solving operation in manual or preset modes

Externally set pan and tilt limit stops

64 presets per head, stored internally in non-volatile memory

Will handle camera, lens, and prompter combinations weighing up to 40 lbs.

Built in 12VDC 5A camera power supply

Optional PT-CCB-250 camera control module for integrated remote camera control of most Hitachi and other cameras using Eagle® system controllers, PC software, or AMX and Crestron control systems

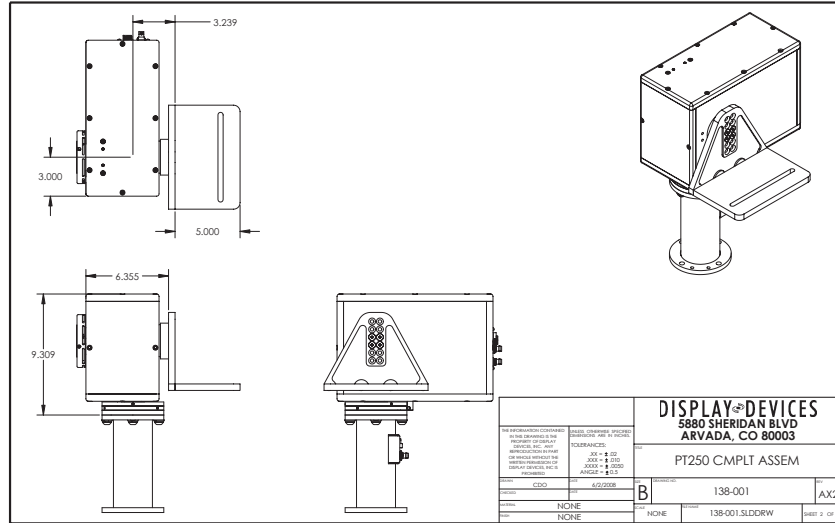
Pre-tested camera control/power harness, lens control harness included with each head

All needed connectors for power and control are included; includes tripod mounting adapter plate

full based on proportional digital joystick input from the optional PT-C or PT-C55 controllers .

Up to 64 different preset combinations of position and lens settings can be memorized by the head. All are stored in non-volatile memory inside each head, and can easily be recalled at any time.

The Eagle® PT-250 is for camera / lens /prompter combinations of up to 40 pounds (18.2 kg).



SPECIFICATIONS

Weight: 27 pounds (12.7 kg)

Maximum load: 40 pounds (23 kg); including camera, lens, prompter, and accessories

Pan range: ± 170 degrees; Tilt range: ± 90 degrees

Pan and tilt speed: 0 to 30° per second, infinitely variable. Note that max speed should be reduced with large, heavy loads.

Accuracy of preset position recall: better than ± 5 arc minutes (.083 degrees)

Max. number of preset positions: 64

Requires 24VDC power, minimum 2A: max draw with camera: 3.5A; provides camera power of up to 12 VDC @ 5A

Sturdy bronze/stainless steel worm gear drive with high-torque DC servo-stepper motor control

Uses RS-485 communications protocol; switchable to RS-232 by jumper configuration

OPTIONAL ACCESSORIES

PT-250TA tally light option

PT-C55 desktop pan tilt, lens, camera controller

PT-C desktop joystick pan tilt and lens controller

PT-CC desktop camera controller

PT-CCB camera control module (internal option in head)

PT-PS-3 6.5A output power supply

PT-WM-XL wall mounting kit

PT-RSA RS232 to RS485 adapter; for controlling Eagle system via PC

PT-MP-1 control multiplexer; allows multiple controllers on single RS-485 backbone

PT-CSI contact closure/tally light interface

PT-MFA multi function adapter interface

Distributed by Hitachi Kokusai America Ltd.
 150 Crossways Park Dr. Woodbury NY 11797
 Call (516)921-7200 for a dealer near you

Specifications and design subject to change without notice

Eagle™ products are designed and manufactured in the USA by Display Devices Inc., Golden CO 80403

02/14 R2

www.eaglepan tilt.com