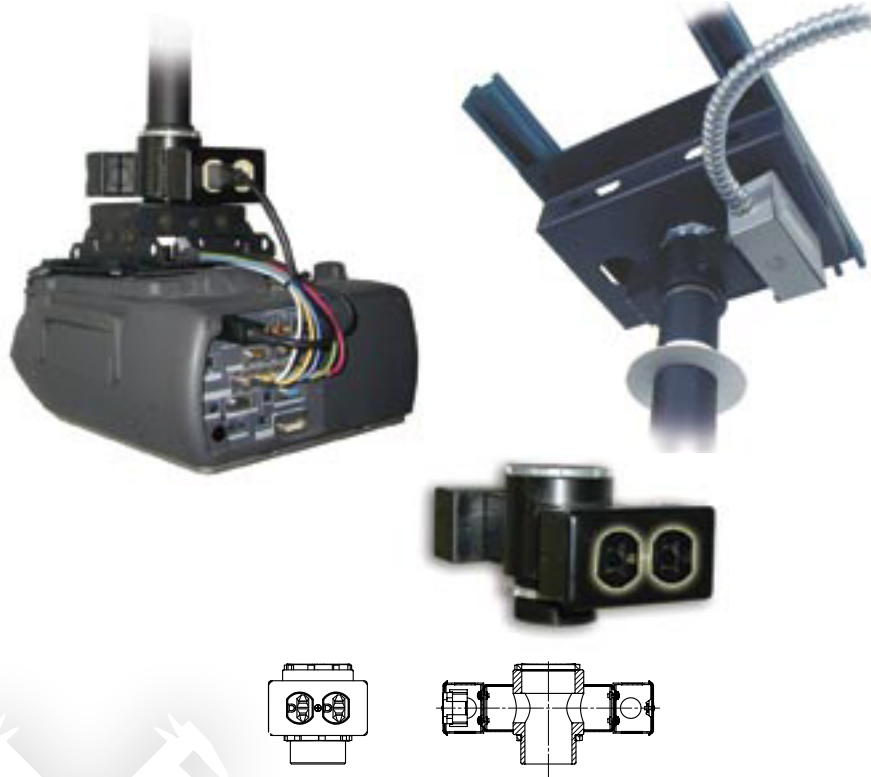


## PowerPRO

- Install the projector pole and AC power simultaneously - save time and money
- Flex conduit installs through the center of the pole to provide a duplex outlet next to the projector or display - meeting electrical code requirements
- PowerPRO 1 for integration above the ceiling
- PowerPRO 2 for power distribution below ceiling
- For projectors, single or dual flat panel displays

## Specifications

- Weight capacity: 300 lbs.
- PP1 provided with (1) bell box
- PP2 provided with (2) single-gang j-boxes
- For 2" fixed or adjustable poles
- Stylish black finish
- 1 year warranty



## Dimensions

- PowerPRO 1 4"h x 7.5"w x 4.2"d 4 lbs.
- PowerPRO 2 4"h x 9.0"w x 4.2"d 4 lbs.



## Pole Stabilizing Kit

- For long-length poles
- For heavy loads on long poles
- Kit includes: (3) outrigger brackets, pole compression clamp and (3) lower clamps
- Installer provides the connective material: 1/2" EMT conduit, Threaded Rod or Wire Rope
- Available with vibration isolation

## Specifications

- For 2" fixed or adjustable poles
- Stylish black finish
- 1 year warranty



## Dimensions

- PSK-Kit 4"h x 7.5" w x 4.2"d 1 lbs.
- PSV-Kit 4"h x 9.0" w x 4.2"d 1 lbs.

