

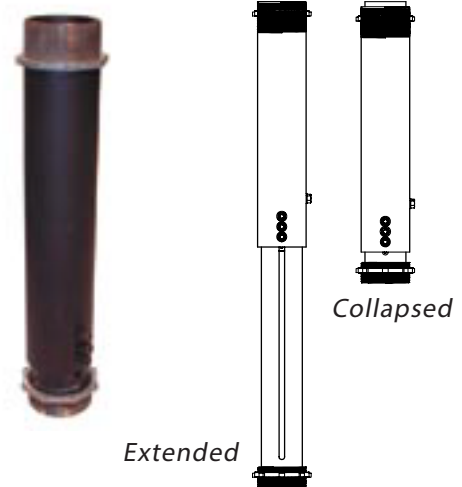
PLMT-A Series Adjustable Pole

Features

- An adjustable pole for medium- to heavy-weight projectors and flat panel displays
- Available in 1' - 2', 2' - 4', 3' - 6' and 4' - 8' lengths
- Stable 2" pole with good cable access through pole
- Threaded top and bottom to mate with PLMT & PCM
- Stylish black finish

Specifications

- 2" pole
- Weight capacity: 300 lbs.
- 1 year warranty



Dimensions

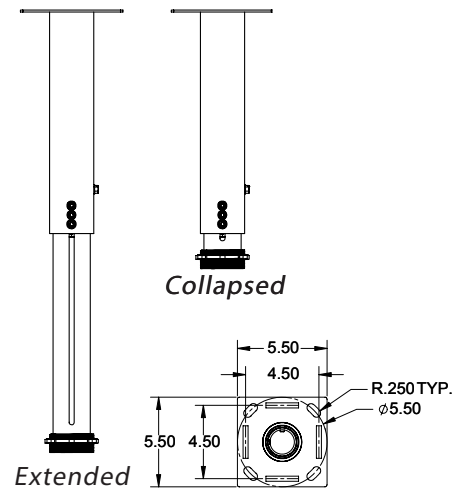
Does not include mount or projector

- PLMT-A1 2.5"w x 13.5" - 23.7"h 5 lbs.
- PLMT-A2 2.5"w x 25.5" - 47.7"h 11 lbs.
- PLMT-A3 2.5"w x 37.5" - 71.9"h 17 lbs.
- PLMT-A4 2.5"w x 49.7" - 95.7"h 23 lbs.

PLMT-TP-A Series Pole/Plate Combination

Features

- An integrated mounting plate and adjustable pole combination for medium- to light-weight projectors and flat panel displays
- Available in 1' - 2', 2' - 4' and 3' - 6' lengths
- Stable 2" pole with good cable access through pole
- Stylish black finish



Specifications

- 2" pole
- Weight capacity: 50 lbs.
- 1 year warranty

Metric conversion: inches x 25.4

Dimensions

Does not include mount or projector

- PLMT-TP-A1 5.5"w x 5.5"d x 13.9" - 23.7"h 5 lbs.
- PLMT-TP-A2 5.5"w x 5.5"d x 25.5" - 47.7"h 11 lbs.
- PLMT-TP-A3 5.5"w x 5.5"d x 37.5" - 71.9"h 17 lbs.
- Mounting hole spacing: 4.5" x 4.5"