



*Introducing Pyxis: A Dynamic Display System. Pyxis is a pan/tilt yoke with an integrated projector. With features like continuous rotation and the ability to store "live-action" moves in macros for later playback, Pyxis will supercharge your nightclub or other high-tech entertainment application.*

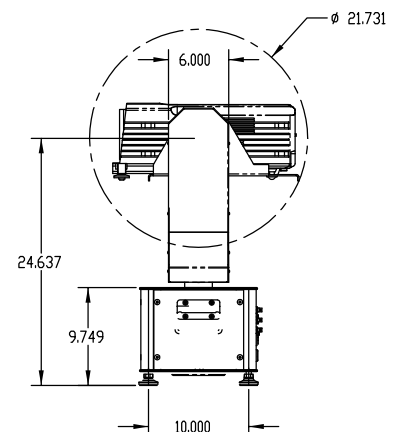
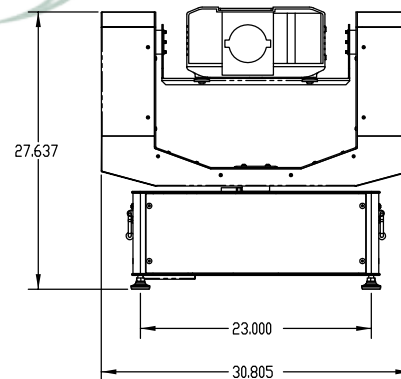
Recent applications include:

- Nightclubs / Entertainment Venues
- Concert Touring Applications
- Theaters
- Museums
- Planetariums
- Simulators

FEATURES & BENEFITS

## DRAWINGS & SPECIFICATIONS

- Continuous pan rotation
- Maximum tilt - 345°
- Lens zoom/focus control with positional feedback
- Smooth, accurate targeting - no abrupt stopping
- Variable speeds on both motion axes
- Internal memory for 99 preset screen positions
- Dual-Joystick controller with pan/tilt and zoom/focus control
- Optional macro memory for recording manual "live action" moves for later playback
- Video inputs: RGBHV / composite video
- DMX loop-thru
- Preset recall via RS-232/485 and DMX
- Weight: 70 lbs. without projector
- 5200 ANSI lumen light output
- Can be flown inverted or floor operation
- Easily integrates with third-party media servers, keystone processors, show controllers, etc.



Contact Sales for dimensional drawings