

FEATURES & BENEFITS

The PWM-AA Articulating Wall Mounts are an excellent choice when multiple viewing angles are required. The mounts are designed for easy service access and installation.

PWM-AA-6

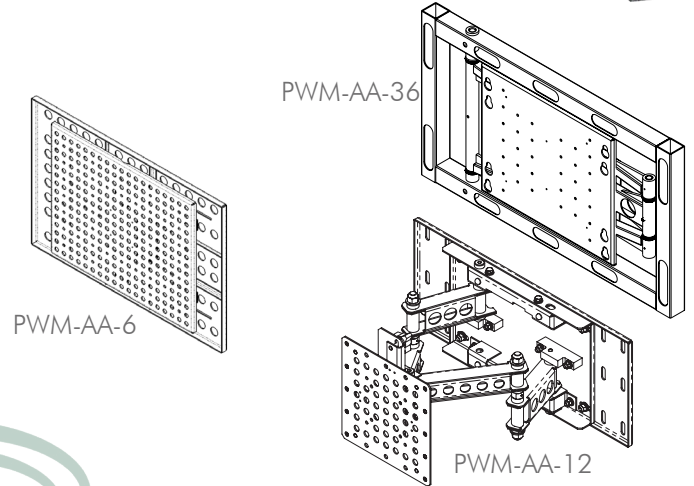
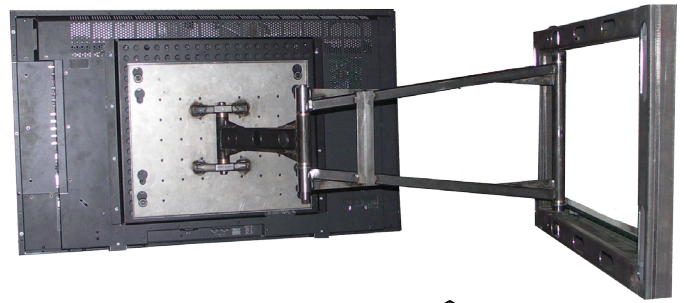
- Dual arm design to recess the display into walls or cabinets - only 1.5" deep

PWM-AA-12

- Dual arm which extends out and provides 45° pivot
- Compact footprint
- Cable management system
- Heavy-duty design for large weight loads

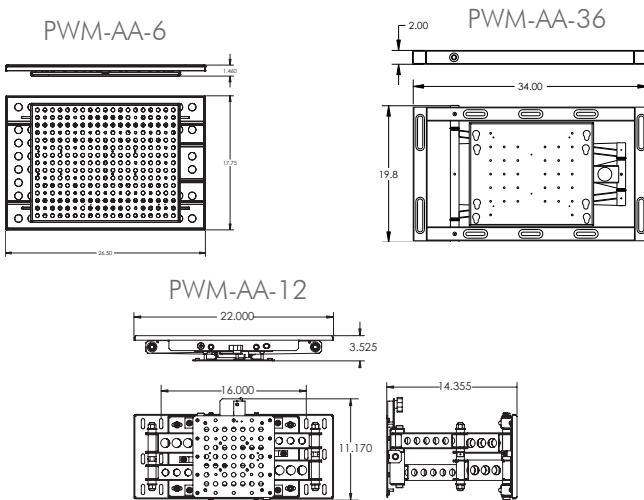
PWM-AA-36

- Single arm design which extends out and provides 90° pivot for displays up to 61"
- Low profile - only 2" deep
- Cable management system
- Heavy-duty for large weight loads



PWM-AA-6	26.5" w x 18.8" h x 2.25" d	27.0 lbs.
PWM-AA-12*	22.0" w x 12.0" h x 3.50" d	18.5 lbs.
*Mounting plate	22.0" w x 9.5" h	
PWM-AA-36	34.0" w x 19.8" h x 2.00" d	52.0 lbs.

Dimensions do not include flat panel display, add .75" for interface plate



Metric conversion: inches x 25.4

PWM-AA-6: 6" extension
 PWM-AA-12: +/- 30° pivot, 12" extension
 PWM-AA-36: +/- 90° pivot, 30" extension

Weight capacity:

PWM-AA-6	150 lbs.
PWM-AA-12	100 lbs.
PWM-AA-36	100 lbs.

Collapsed depth:

PWM-AA-6	2.2"
PWM-AA-12	3.5"
PWM-AA-36	2.0"

- 1.5" vertical shift (except PWM-AA-6)
- 1.5" horizontal shift
- AA-6 & 12 mount on 16"/20" centers
- AA-36 mounts on 32" centers
- 1 year warranty

List Price

PWM-AA-6	\$345
PWM-AA-12	\$650
PWM-AA-36	\$500

DRAWINGS & SPECIFICATIONS