



The MRCM rotating mount offers 330° projector rotation for use in multi-purpose rooms.

- 330° maximum rotation for two adjustable viewing positions
- User-defined left/right show positions
- Rotational Accuracy: +/- 1°
- Includes wired hand-held remote
- Quiet, smooth operation
- Designed for 2" poles
- Plenum-rated housing

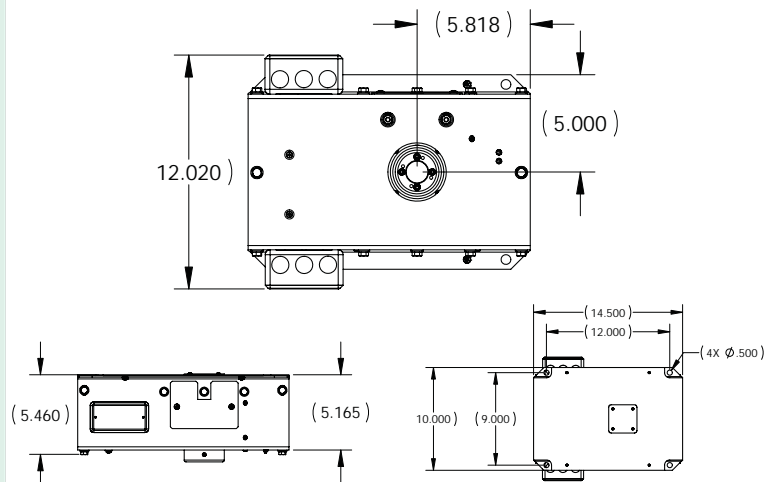
**FEATURES & BENEFITS**

**DRAWINGS & SPECIFICATIONS**

- Weight capacity: 250 lbs.
- Electronics include power supply, drive motor and hard-wired hand-held remote control
- Integrated cable management
- Controlled via contact closure
- Power requirements: 110V, 1 amp; 220V, .5 amp
- Requires 2" pole and projector/flat panel mount
- Specify projector or flat panel make/model
- 1 year warranty

List Price      \$1,850

MRCM      14.5" w x 12.1" d x 5.5" h      20 lbs.



Contact Sales for dimensional drawings

Metric conversion: inches x 25.4