



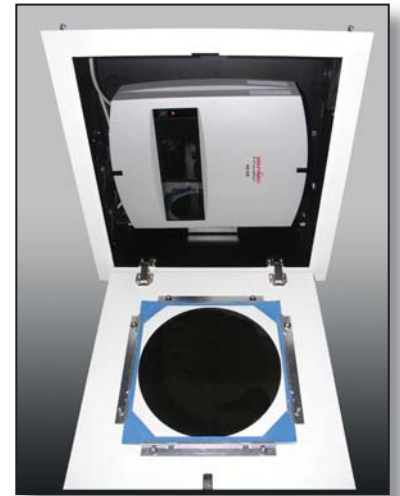
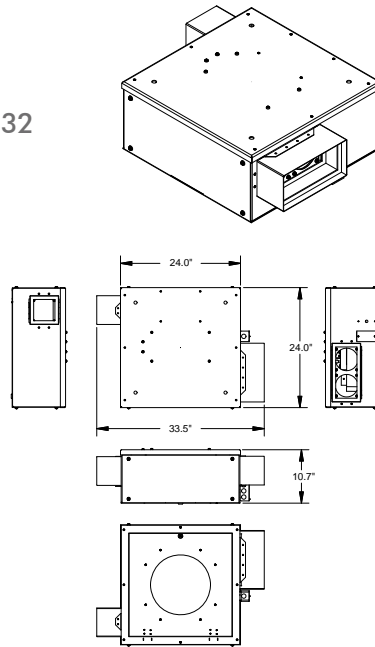
## Plenum Enclosure

### Features

- Rigid mounting for above 2' x 2' T-grid ceilings
- Quick-release mount for easy access to the VZ-C11-32
- Intake and exhaust fans with fire dampers
- Digital thermostatic control of fans
- Hinged closure door with optical-grade glass
- 23.75" w x 23.75" l x 10.75" h
- Weight: 75 lbs.
- 110V, 1 amp; 220V .5 amp
- 1 year warranty

### List Price

WV-BX-TEMP Plenum box with mount	\$1,395
PCM-WVC pole mount for VZ-C11-32	\$215



## Power Current Sensor

### Features

- Current sensor to activate electronic devices
- Provides contact closure output
- Extremely low current sensing - 15mA
- 1800 watt maximum load - 15 amp@ 120 VAC
- Power requirement: 120 VAC @ 250 mA minimum  
No external power supply required
- 4.5" h x 2.2" w x 4.0" d, 6.5 oz.
- 1 year warranty

### List Price

PCS-02 Power Current Sensor	\$111
-----------------------------	-------

