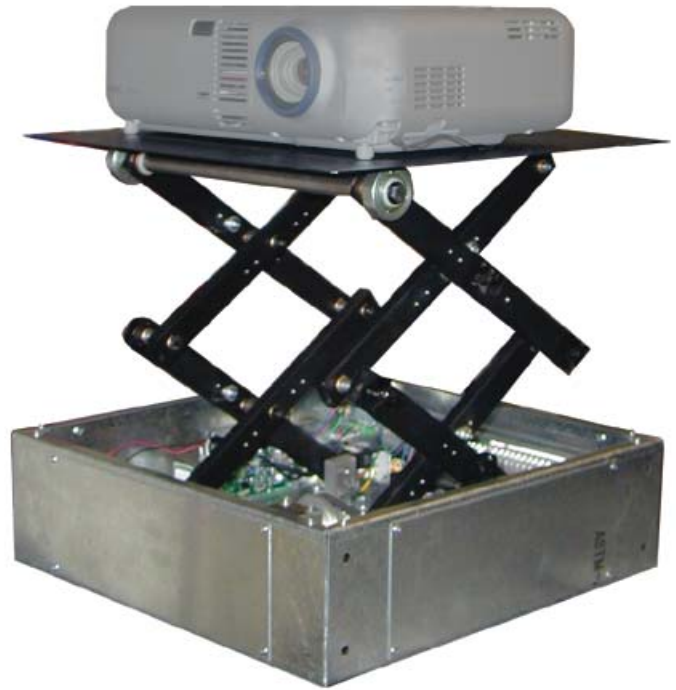


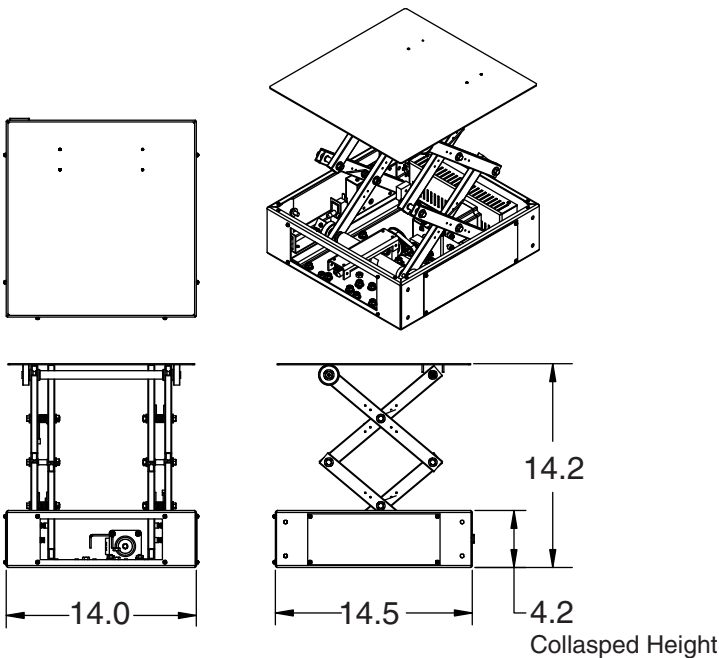
The USD-100 UpLift can be used to raise and lower projectors or document cameras from within furniture -- an ideal solution if ceiling mounting is not feasible.

- Motorized uplift with 10" of vertical travel
- Programmable show position
- Two positions: stowed and show
- For integration in lecterns for document cameras - will not collapse with additional weight/pressure
- Accurate/repeatable height for consistent projector alignment
- Top panel accommodates many sizes of projectors, document cameras or teleconference cameras
- Easy control via contact closure
- Includes wired hand-held remote
- Optional closure panel available



14.0" w x 14.5" h x 4.2" d 20 lbs.

(Not Including Projector)



- Maximum footprint: 14.0" w x 14.5" l
- Capacity: 40 lbs.
- Contact closure operation
- Power requirements: 110V, 1 amp; 220V, .5 amp
- Digital electronics with self diagnostics
- Programmable height via remote
- 1 year warranty

List Price \$1,575

Dimensions and specifications subject to change.

Metric conversion: inches x 25.4