

Got a noisy projector? Not anymore with the SE-B series sound enclosure. This innovative product effectively relocates fan noise away from the viewing area.

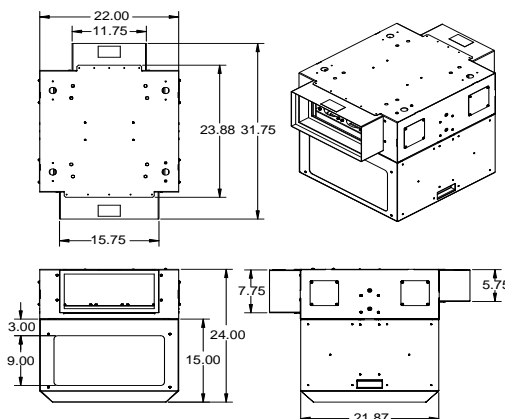
- Bottom opens for easy service access
- 2' x 2' or 2' x 3' units for easy ceiling installation
- Low-noise fans for cooling
- Programmable thermostat for intake/exhaust fans
- Integrated temperature sensor, power cutoff
- External alarm interface (NO/NC)
- UL-rated fire dampers for plenum installations
- Requires Display Devices projector mount
- Dense multi-layer construction
- Optional enhanced electronics package and trim rings for t-grid ceilings
- Soffit versions with integrated lifts available



SE-B1	23.9"l x 22"w x 24"h
SE-B2	34.0"l x 22"w x 24"h
SE-B3	39.9"l x 26"w x 24"h
SE-BXL	44.0"l x 32"w x 32"h
SE-B5s	34.0"l x 31"w x 20"h (soffit version)
SE-B6s	34.0"l x 34"w x 26"h (soffit version)

Model	Maximum Projector Size
SE-B1	19"l x 19"w x 11"h
SE-B2	30"l x 19"w x 11"h
SE-B3	27"l x 23"w x 11"h
SE-BXL	42"l x 33"w x 15"h
SE-B5s	22"l x 25"w x 10"h
SE-B6s	22"l x 27"w x 10"h

SE-B1



Contact Sales for dimensional drawings

- Power : 110V, 1 amp; 220V, .5 amp
- OPT15 optional enhanced electronic package includes: RS-232 I/O, Audible alarm, motion sensor, external temperature sensor, enclosure open sensor
- BXL model includes optional enhanced electronics
- 1 year warranty

List Price	SE-B1	\$3,300
	SE-B2	\$3,805
	SE-B3	\$4,156
	SE-BXL	\$7,130
	SE-B5s	\$4,270
	SE-B6s	\$4,270
	SE-Trim Ring	\$ 150
	OPT-15	\$ 275