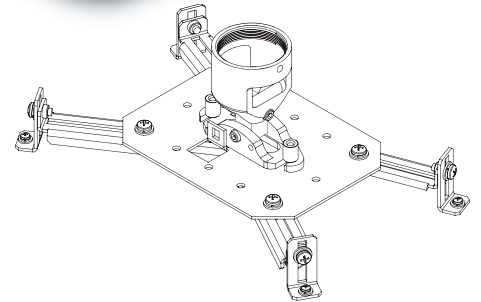


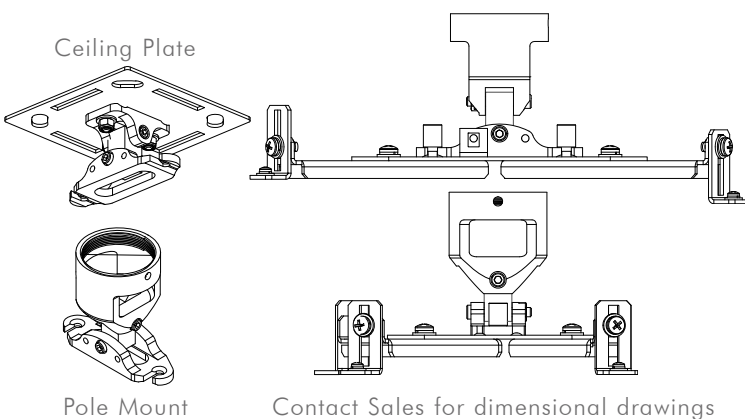
The PCMK-Flex is a standard universal mount that is designed for many smaller projectors up to 40 lbs. It can be mounted flush to the ceiling, or attached to an optional pipe for installations requiring longer lowering distances.

- The Flex-Mount consists of a steel interface plate with four adjustable arms to position over the projector's mounting holes.
- The unit includes two sets of adjustable arms: short and long for different configurations.
- Each arm has vertical adjustment to compensate for differing heights at mount points
- Superior to a ball joint design, pitch and tilt can be adjusted independently
- Can be flush-mounted with enclosed ceiling plate or attached to a 2" NPT schedule 40 pipe
- Quick-release for easy projector service
- Includes common projector mounting hardware
- Stylish black finish



PCMK-Flex 8" w x 6" d x 4.5" h 3.2 lbs.

Dimensions do not include pole or projector.



Contact Sales for dimensional drawings

- Weight capacity: 15 lbs.
- Tilt +/- 15°
- Pitch +/- 15°, Yaw +/- 360°
- Maximum projector hole spacing: 15" x 13"
- Minimum projector hole spacing: 8" x 6"
- Maximum vertical compensation: 1.5"
- (4) Short arms: 4.0"
- (4) Long arms: 6.3"
- Mounting hardware kit includes 4 each of:
M3 x 12, M4 x 12, M5 x 12, M6 x 12
- 1 year warranty

List Price
PCMK-Flex \$240

Metric conversion: inches x 25.4

Knucklehead Mount



Our "Knucklehead" mount is a superior ball joint design which allows independent adjustment of pitch and tilt axis. The interface plate is custom designed to fit your specific projector chassis, providing full access for lamp changes and filter cleaning. Accommodates most projectors up to 40 lbs.

- Black anodized aluminum finish
- Can be flush-mounted with enclosed ceiling plate
- Quick disconnect / reconnect for service
- Tilt and pitch greater than +/- 20°
- Mates with 1.5" or 2" NPT pole and is interchangeable with Display Devices accessories
- Clear access through the mount head which accommodates a variety of pre-molded connectors
- Includes tamper-proof hardware on pivot points

FEATURES & BENEFITS

DRAWINGS & SPECIFICATIONS

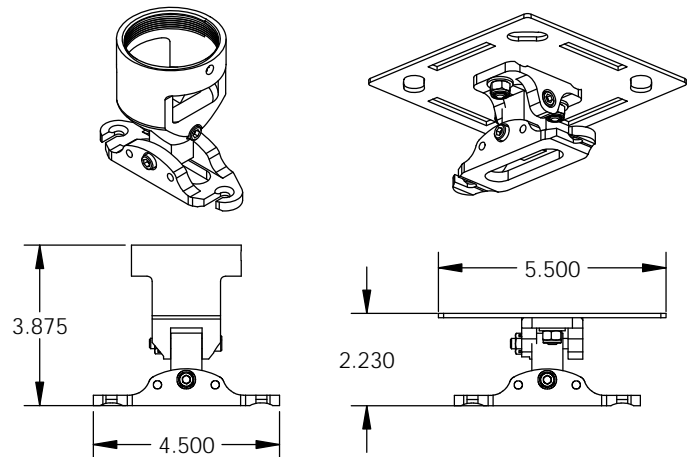
- Weight capacity: 15 lbs.
- Tilt +/- 15°
- Pitch +/- 15°, Yaw +/- 360°
- Aluminum / steel construction
- Mounting Methods: flush, 1.5" or 2" pole
- Specify projector make/model
- 1 year warranty

List Price \$215

(Dimensions do not include projector, pole and interface plate)

PCM-K 4.5" w x 2.6" d x 3.8" h 1 lb.

Pole Mount



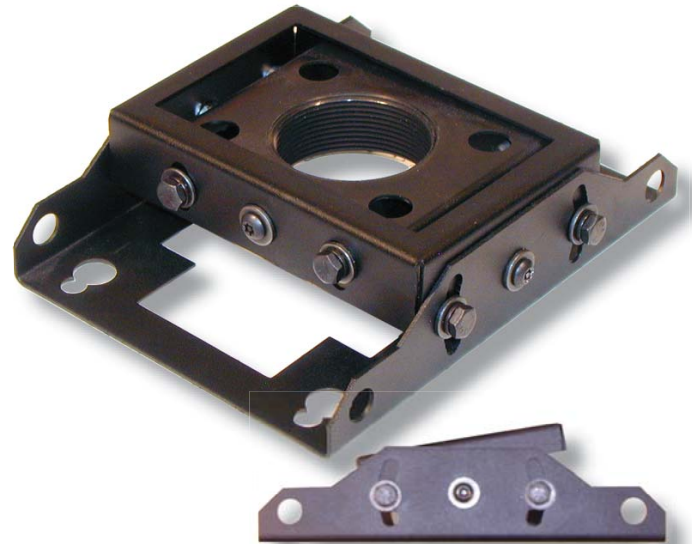
Metric conversion: inches x 25.4

Our standard mounts allow independent adjustment of pitch and tilt axis. The interface plate is custom designed to fit your specific projector chassis, providing full access for lamp changes and filter cleaning. Accommodates most projectors up to 250 lbs.

- Stable, low-profile design
- Quick disconnect / reconnect for service
- Tamper-proof hardware on pivot points
- Easy lamp and filter access
- Clear access through the mount head, which accommodates a variety of pre-molded connectors
- Mates with 1.5" or 2" NPT pole and is interchangeable with Display Devices accessories

A complete ceiling mount system includes:

- Structural mounting pan
- Fixed or adjustable pole
- Locking rings
- Ceiling mount
- Interface plate

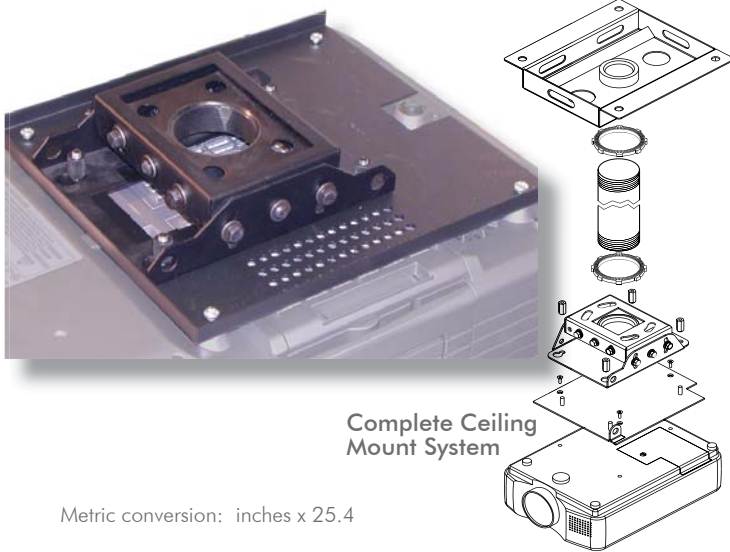


Adjustable +/- 20° tilt & pitch, 360° yaw

Standard PCM 4.5" w x 8.0" d x 2.1" h 3 lbs.

Dimensions do not include projector, pole and interface plate

Each projector has a unique interface to mount



Complete Ceiling Mount System

Metric conversion: inches x 25.4

See the following pages for mount accessories.

- Weight capacity: 250 lbs.
- Tilt +/- 20°
- Pitch +/- 20°
- Yaw +/- 360°
- 14-gauge steel construction
- Mounting Methods: flush, threaded rod, 1.5" or 2" pole
- Specify projector make/model
- Requires pole and structural mount for complete pole mount application
- 1 year warranty

List Price

PCM-xxx \$215

SC-PCM-xxx \$425



*SC-PCM-xxx Security Cage Mount shown