

Looking for a way to protect your flat panel display in a public environment? Look no further...Our Protective Bezel Covers are the perfect solution. A sturdy aluminum frame surrounds your display, protecting it from vandalism, and blocking access to the cables and controls. Meanwhile, the clear polycarbonate window keeps prying hands and other objects off the screen. Touch screen models are also available to add interactivity to your digital signage. Some recent applications include:

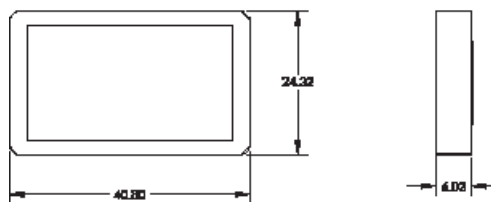
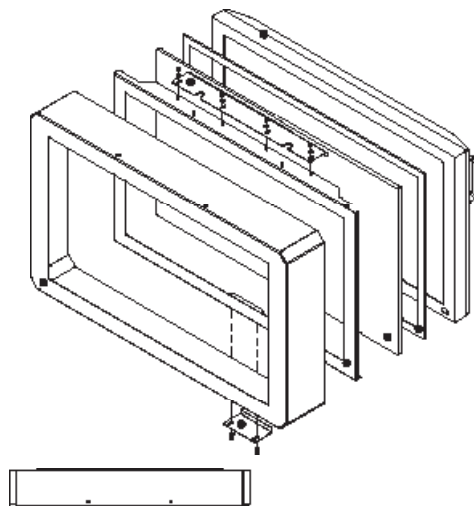
- Bars and Restaurants
- Church Directories
- Transit Arrival / Departure
- Shopping Center Interactive Kiosks

FEATURES & BENEFITS

DRAWINGS & SPECIFICATIONS

- Sturdy aluminum frame with 1/4" - 1/2" abrasion-resistant clear polycarbonate window
- Optional cut-out for infrared sensor and power
- Fits most commercial-grade displays
- Optional touch screen functionality
- Handsome beveled design; bezels come standard in black, silver, or white finishes
- Color matching and custom graphic overlays available

(Dimensions based on 40" example)



	Bezel Only	Bezel w/Touch Screen
17-27"	\$607	CALL
28-39"	\$709	CALL
40-46"	\$850	N/A
47-54"	\$1,137	N/A
55-64"	\$1,280	N/A
65-70"	\$1,567	N/A

Contact Sales for dimensional drawings