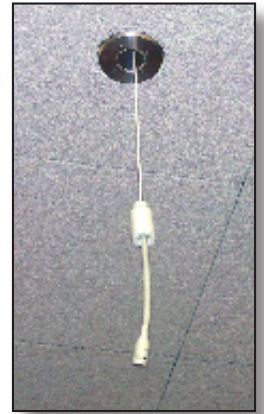
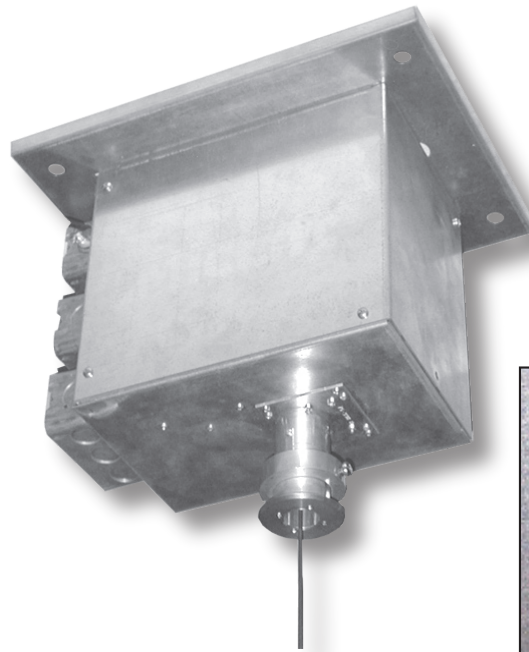


## FEATURES & BENEFITS

The ML-2011 microphone lift provides a high-tech audio solution to any boardroom. In large-venue applications, the ML-2011 eliminates the clutter of stands and cables.

- Up to 25 feet of lowering distance
- Install above or below finished ceiling
- Plenum design with integrated junction boxes
- Quiet, smooth operation
- Easy-to-program microphone position
- Self contained unit - contact closure operation
- Star Quad cable for reduced noise
- Programmable "ramping" - No abrupt starting/ stopping
- Easy installation with ceiling mount plate
- No charge for microphone integration
- Includes hard-wired handheld remote

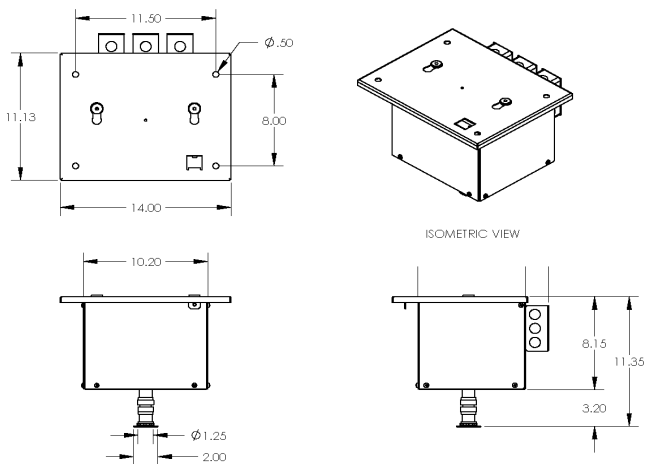
(Does not include microphone)



ML-2011: 15.0" w x 6.6" d x 15.6" h 26 lbs.

(Dimensions do not include microphone)

## ML-2011



Metric conversion: inches x 25.4

- Maximum lowering distance:  
ML-2011 - 25 feet
- Power Requirements: 110V, .75 amp; 220V, .5 amp
- Steel with paintable galvanized finish
- Ceiling bezel: clear anodized aluminum
- XLR-F audio connection
- 7/8" concealed microphone housing  
- optional 1.5" extensions for long mics
- Beige or black microphone cable
- Capacity: minimum 4 oz., maximum 6.5 oz.
- Programmable lowering position
- Programmable speed ramping distance
- Smooth DC motor - provides deceleration
- 1 year warranty

List Price	ML-2011	\$ 2,125
	1.5" extension	\$ 36

## DRAWINGS & SPECIFICATIONS