

An industry standard for typical office environments, the LCD-100 is our most popular projector lift. It features a lowering distance of up to seven feet and a sturdy 75 lb. capacity.

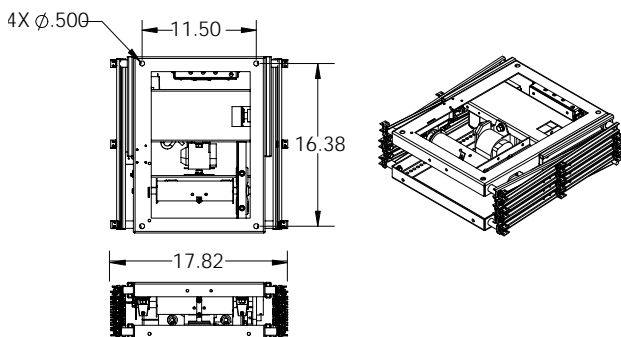
- Lowering distances: 4'-7'
- Weight capacity: 75 lbs.
- Three positions: stowed, show, service
- For small to mid-sized projectors, monitors, slide projectors, speakers, camera pan/tilts
- Position repeatable to better than 1/16"
- Cable management system
- Whisper-quiet operation
- Includes programmable wired hand-held remote
- Accessories: optional controls - RS232, IR, RF, optional closure styles for grid tile, plenum enclosures, 2' x 2' enclosures, motorized rotation, and cable pre-wire package



Lift only - no projector or closure system

LCD-104	18.5"l x 17.9"w x 5.75"h	65 lbs.
LCD-105	18.5"l x 17.9"w x 6.75"h	70 lbs.
LCD-106	18.5"l x 17.9"w x 7.75"h	75 lbs.
LCD-107	18.5"l x 17.9"w x 8.75"h	80 lbs.

Model	Length	List Price (lift only)
LCD-104	4 feet	\$2,790
LCD-105	5 feet	\$3,020
LCD-106	6 feet	\$3,250
LCD-107	7 feet	\$3,480



All plenum enclosures are built to the smallest dimension possible. Contact Sales for dimensional drawings of your specific projector / installation.

Metric conversion: inches x 25.4

- Contact closure operation - 12V trigger in / out
- Power requirements: 110V, 0.6 amp; 220V, 0.3 amp
- Safety belt for earthquake standards
- Digital electronics with self diagnostics
- User programmable show / service positions
- Specify projector / lens for proper mount / closure
- Requires Display Devices mount adapter
- 1 year warranty

Model #	LCD 100 Series Lift Options and Accessories	List Price
xxx	Mounting Adapter interface for projector. Must specify make and model number of projector and lens if projector offers lens options.	\$218.00
OPT-1	Ceiling Closure Frame. Used with drywall or wood ceilings. Provides 2" trim finish for projector opening. Spring-loaded and fully adjustable. <i>Note:</i> EBR is recommended for installations with restricted access.	\$488.00
OPT-1L	Lipless Ceiling Closure Frame - Provides minimal seam around projector opening for drywall or wood ceilings. Spring-loaded and fully adjustable. <i>Note:</i> EBR is recommended for installations with restricted access.	\$488.00
OPT-3	Plenum-Rated Housing With Closure Frame - Enclosed support framework and closure frame for drop-tile ceilings with plenum requirements. 2" trim finish for projector opening. Includes ceiling closure, spring-loaded and fully adjustable.	\$1,266.00
OPT-3L	Plenum-Rated Housing With Lipless Closure Frame. Enclosed support framework and closure frame for drop-tile ceilings with plenum requirements. Provides minimal seam around projector opening. Includes ceiling closure, spring-loaded and fully adjustable.	\$1,266.00
OPT-3L-2x2	2' x 2' Plenum-Rated Housing With Lipless Closure Frame for LCD-100 series only - Maximum projector size: 19" x 19" (including lens). Enclosed support framework and closure frame for drop-tile ceilings with plenum requirements. Provides minimal seam around projector opening. Includes ceiling closure, spring-loaded and fully adjustable.	\$1,266.00
OPT-4	Non-Plenum-Rated Housing With Closure Frame. Support framework and closure frame for drop-tile ceilings with non-plenum requirements. 2" trim finish for projector opening. Includes ceiling closure, spring loaded and fully adjustable.	\$748.00
OPT-4L	Non-Plenum Rated Housing With Lipless Closure Frame. Support framework and closure frame for drop-tile ceilings with non-plenum requirements. Provides minimal seam around projector opening. Includes ceiling closure, spring loaded and fully adjustable.	\$748.00
OPT-4L-2x2	2' x 2' Non-Plenum Rated Housing With Lipless Closure Frame for LCD-100 series only - Maximum projector size: 19" x 19" (including lens). Support framework and closure frame for drop-tile ceilings with non-plenum requirements. Provides minimal seam around projector opening. Includes ceiling closure, spring loaded and fully adjustable.	\$748.00
OPT-5	Bomb Bay Door ceiling closure system. Provides support framework and dual opening doors for non-plenum applications.	\$1,421.00
OPT-9	RS-232 Serial control interface - allows for unlimited show positions when using a third party control system (Crestron/AMX).	\$300.00
OPT-11A	Cable Pre Wire - Pre-wire of lift with control, signal and power cabling.	\$572.00
PCS-02	Power Current Sensor for projectors and Flat Panel Displays, 110V only.	\$111.00
EMRCM	Electronic Motorized Rotating Ceiling Mount. Adds rotation of a projector to any Display Devices projector lift. Controlled via third party RS-232 (i.e., Crestron, AMX, etc.) to allow two programmable vertical and rotational show positions. Weight capacity of 100 lbs. including closure. 110V/220V.	\$2,575.00
REM-IR	Wireless Infrared Remote Control. May be used with any motorized Display Devices product.	\$285.00
REM-RF	Wireless RF Remote Control. May be used with any motorized Display Devices product.	\$357.00
WPR-L01-W	Wall Plate Remote for all lifts. Single-gang white.	\$75.00
WPR-L01-B	Wall Plate Remote for all lifts. Single-gang black.	\$75.00
WPR-L01-S	Wall Plate Remote for all lifts. Single-gang brushed steel.	\$75.00
REM-L19-RM	Rack Mount Panel Remote wired control panel. 1.75" x 19" EIA. Black.	\$75.00
REM-L02-WLKY-W	Locking Wall Plate Remote wired control panel with security key lock. 2-gang, white.	\$115.00
REM-L02-WLKY-B	Locking Wall Plate Remote wired control panel with security key lock. 2-gang, black.	\$115.00
REM-L02-WLKY-S	Locking Wall Plate Remote wired control panel with security key lock. 2-gang, brushed steel.	\$115.00
SPK-DL	Spare Parts Kit - includes control electronics, timing sprocket, limit switches, multi meter, motor control box.	\$775.00
EBR	Emergency Brake Release - Lowers lift for service access. Recommended when access to a retracted lift is restricted i.e., drywall. Must be purchased at the same time as the lift.	\$215.00