

FEATURES & BENEFITS

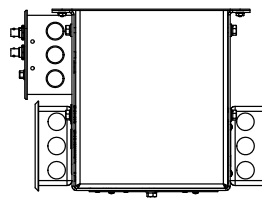
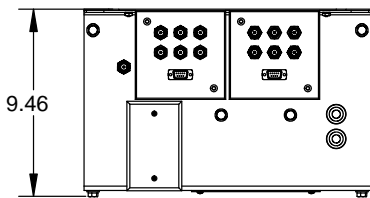
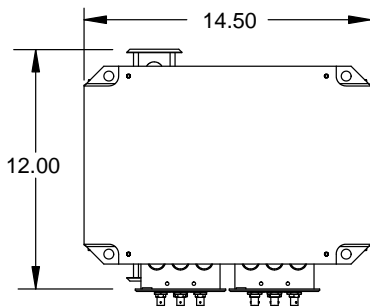
Stop passers-by in their tracks with the Continuous Rotating Ceiling Mount. This unique motorized product can rotate up to four flat panel displays, creating an eye-catching array of digital signage.

- Continuous 360° rotation provides constant movement of flat panel displays
- Utilizes unique technology for cable management
- Accommodates two high-resolution RGBHV signals, AC power and two control serial data lines
- Single and multiple flat panel arrays
- User-defined left or right direction controls
- Includes wired hand-held remote
- Quiet, smooth operation
- Plenum-rated housing



14.50" w x 12.00" d x 9.50" h

23 lbs.



- Weight capacity: 250 lbs.
- Electronics include power supply, drive motor and hard-wired handheld remote control
- Integrated cable management
- Controlled via contact closure
- Speed: 6° per second
- Power requirements: 110V, 1 amp; 220V, .5 amp
- Pre-wired cable per specified pole length
- Specify flat panel make, model, quantity and orientation
- Requires 2" pole and flat panel mount(s)
- 1 year warranty

List Price \$2,853

Metric conversion: inches x 25.4

DRAWINGS & SPECIFICATIONS