

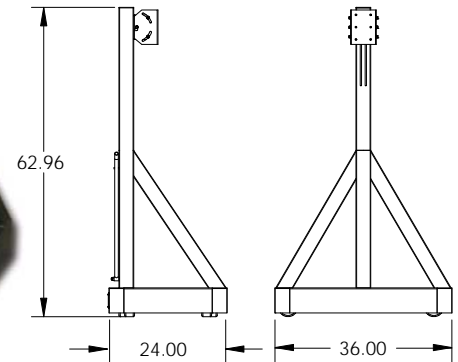
Flat Panel Cart

- Ultra-sturdy industrial frame
- Power pre-wired - IEC connector on bottom rear
- Ideal for training rooms, hotels, churches, portable flat panel Display applications, etc.
- Base includes casters for easy rolling
- Integrated handle for easy transport
- Fits through standard 30" doorways
- Balanced center of gravity for stability
- Optional signal connection panel

Specifications

- 12" of vertical adjustment
- +/- 15° tilt adjustment
- Stylish black finish
- 1 year warranty

List Price PDC-1 \$970



PDC-1 63"h x 36"w x 24"d

Custom carts and stands available.

CMC-5000 24"h x 38"w x 28"d 41 lbs
 CMC-2500



Confidence Monitor Cart

- A mobile flat panel cart for teleprompter and speaker confidence monitors
- Lightweight black powder coated aluminum frame
- Locking casters for easy repositioning
- Folds flat for compact storage and shipping
- Also available in mini version for 19"-27" monitors

Specifications

- 0° - 90° of tilt adjustment
- Vertical adjustment varies based on panel size
- Includes Universal Flat Panel Mount to fit most displays (37" - 50")
- 1 year warranty

List Price: CMC-5000 \$800
 CMC-2500 \$750