

The DL3W Series Projector Lifts are designed for large-venue projectors and plasma arrays that require long lowering distances.

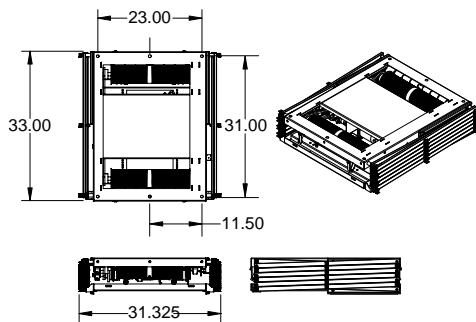
- Lowering distances: 12' - 28'
- Weight capacity: 400 lbs.
- Three positions: stowed, show, service
- For large projectors and flat panel arrays that require long lowering distances
- Position repeatable to better than 1/16"
- Cable management system
- Whisper-quiet operation
- Includes programmable wired hand-held remote
- Accessories: optional controls - RS232, IR, RF, optional closure styles for finished for grid tile, plenum enclosures, AVStack frames and motorized rotation, cable pre-wire package



Lift only - no projector or closure system

DL3W-12	31.5" w x 33.0" l x 7.25" h	199 lbs.
DL3W-14	31.5" w x 33.0" l x 8.25" h	202 lbs.
DL3W-16	31.5" w x 33.0" l x 9.25" h	218 lbs.
DL3W-18	31.5" w x 33.0" l x 11.25" h	228 lbs.
DL3W-20	31.5" w x 33.0" l x 12.25" h	238 lbs.
DL3W-24	31.5" w x 33.0" l x 14.25" h	247 lbs.
DL3W-28	31.5" w x 33.0" l x 17.25" h	252 lbs.

Model	Length	List Price (lift only)
DL3W-12	12 feet	\$4,295
DL3W-14	14 feet	\$4,625
DL3W-16	16 feet	\$4,950
DL3W-18	18 feet	\$5,275
DL3W-20	20 feet	\$5,920
DL3W-24	24 feet	\$6,565
DL3W-28	28 feet	\$7,535



All plenum enclosures are built to the smallest dimension possible.  
Contact Sales for dimensional drawings of your specific projector / installation.

Metric conversion: inches x 25.4

- Contact closure operation - 12V trigger
- Power requirements: 110V, 3.5 amp; 220V, 2 amp
- Dual drive drums for safety
- Digital electronics with self diagnostics
- User-programmable show / service positions
- Specify projector / lens for proper mount / closure
- Requires Display Devices mount adapter
- 1 year warranty

Model #	DL3W Series Projector Lifts Options and Accessories	List Price
xxx	<b>Mounting Adapter</b> interface for projector. Must specify make and model number of projector and lens if projector offers lens options.	\$218.00
OPT-1	<b>Ceiling Closure Frame.</b> Used with drywall or wood ceilings. Provides 2" trim finish for projector opening. Spring-loaded and fully adjustable. <u>Note:</u> EBR is recommended for installations with restricted access.	\$488.00
OPT-1L	<b>Lipless Ceiling Closure Frame</b> - Provides minimal seam around projector opening for drywall or wood ceilings. Spring-loaded and fully adjustable. <u>Note:</u> EBR is recommended for installations with restricted access.	\$488.00
OPT-3	<b>Plenum-Rated Housing With Closure Frame</b> - Enclosed support framework and closure frame for drop-tile ceilings with plenum requirements. 2" trim finish for projector opening. Includes ceiling closure, spring-loaded and fully adjustable.	\$1,266.00
OPT-3L	<b>Plenum-Rated Housing With Lipless Closure Frame.</b> Enclosed support framework and closure frame for drop-tile ceilings with plenum requirements Provides minimal seam around projector opening. Includes ceiling closure, spring-loaded and fully adjustable.	\$1,266.00
OPT-4	<b>Non-Plenum-Rated Housing With Closure Frame.</b> Support framework and closure frame for drop-tile ceilings with non-plenum requirements. 2" trim finish for projector opening. Includes ceiling closure, spring-loaded and fully adjustable.	\$748.00
OPT-4L	<b>Non-Plenum Rated Housing With Lipless Closure Frame.</b> Support framework and closure frame for drop tile ceilings with non-plenum requirements. Provides minimal seam around projector opening. Includes ceiling closure, spring-loaded and fully adjustable.	\$748.00
OPT-5	<b>Bomb Bay Door</b> ceiling closure system. Provides support framework and dual-opening doors for non-plenum applications.	\$1,421.00
OPT-9	<b>RS-232</b> Serial control interface - allows for unlimited show positions when using a third-party control system (Crestron/AMX).	\$300.00
OPT-11B	<b>Cable Pre-Wire</b> of lift with control, signal and power cabling.	\$1,145.00
PCS-02	<b>Power Current Sensor</b> for projectors and Flat Panel Displays, 110V only.	\$111.00
EMRCM	<b>Electronic Motorized Rotating Ceiling Mount.</b> Adds rotation of a projector to any Display Devices projector lift. Controlled via third party RS-232 (i.e., Crestron, AMX, etc.) to allow nine programmable vertical and rotational show positions. Weight capacity of 100 lbs. 110V/220V.	\$2,575.00
REM-IR	<b>Wireless Infrared Remote control.</b> May be used with any motorized Display Devices product.	\$285.00
REM-RF	<b>Wireless RF Remote control.</b> May be used with any motorized Display Devices product.	\$357.00
WPR-L01-W	<b>Wall Plate Remote</b> for all DataLifts. Single-gang white.	\$75.00
WPR-L01-B	<b>Wall Plate Remote</b> for all DataLifts. Single-gang black.	\$75.00
WPR-L01-S	<b>Wall Plate Remote</b> for all DataLifts. Single-gang brushed steel.	\$75.00
REM-L19-RM	<b>Rack Mount Panel Remote</b> wired control panel. 1.75" x 19" EIA. Black.	\$75.00
REM-L02-W	<b>Locking Wall Plate Remote</b> wired control panel with security key lock. 2-gang, white.	\$115.00
REM-L02-B	<b>Locking Wall Plate Remote</b> wired control panel with security key lock. 2-gang, black.	\$115.00
REM-L02-S	<b>Locking Wall Plate Remote</b> wired control panel with security key lock. 2-gang, brushed steel.	\$115.00
SPK-DL	<b>Spare Parts Kit</b> - includes control electronics, timing sprocket, limit switches, multi meter, motor control box.	\$775.00
EBR	<b>Emergency Brake Release</b> - Lowers lift for service access. Recommended when access to a retracted lift is restricted i.e., drywall. <i>Must be purchased at the same time as the lift.</i>	\$215.00