



Camera and lens not included.

The PT-50 is ideal for distance learning, worship facilities and city council broadcasting applications in light-duty, indoor environments.

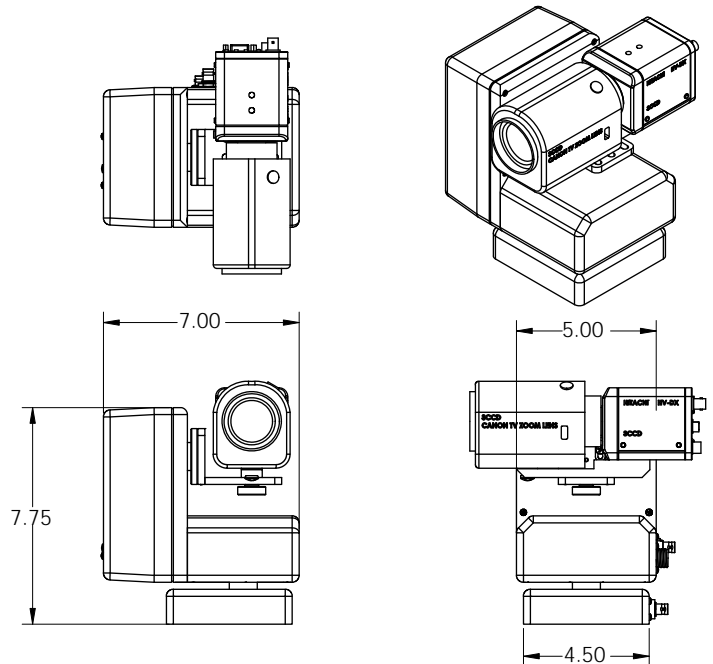
- Can link more than 99 total devices on one RS485 control chain
- Smooth pan and tilt action with accurate performance
- Designed for small camera/lens combinations
- Optional Camera Control Module for select cameras
- Small, unobtrusive, ultra-quiet design
- Up to 64 presets per head stored internally in non-volatile memory
- Control software available for Windows NT/2000/XP compatible PCs
- Control of either direct drive or servo drive lenses
- Integrated camera power supply
- All required connectors for power and control included
- 5-pin power and control connector eliminates need for soldering
- Video and Genlock signal routed through Pan/Tilt base
- Composite pass thru, optional component or SDI out

FEATURES & BENEFITS

DRAWINGS & SPECIFICATIONS

- Weight Capacity: 6 lbs. (2.7 kg.)
- Pan Range: +/- 179°;
- Tilt Range: +/- 45°
- Speed: Variable 0-25° per second
- Accuracy: +/- 5 arc minutes (.08°)
- Control: RS-485 / RS-232 Switchable
- Presets: 64 Maximum (20 w/ VXC-50)
- Power: 24 VDC
- Current: 1.5 amp / 2.5 amp with camera
- Weight: 8 lbs. (3.6 kg)
- Built in 12 VDC camera power supply
- Pedestal- or Ceiling-configurable
- Requires Telecon or DC drive lens
- 1 year warranty

List Price \$2,660

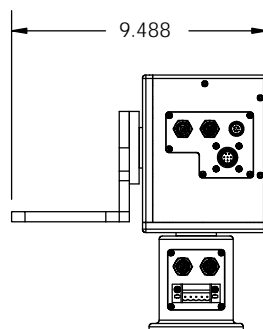
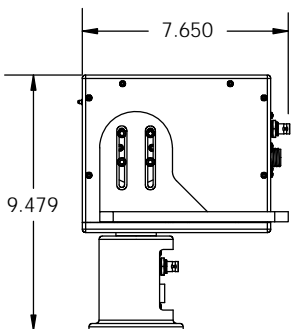
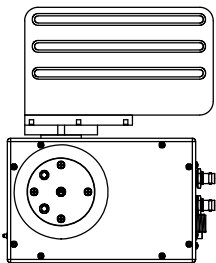


Like the PT-50, the medium-duty PT-101 is also ideal for distance learning, worship facilities and city council broadcasting applications, but can handle larger camera and lens combinations.

- Smooth Pan/Tilt action with accurate performance
- Designed for 3-chip camera/lens combinations
- Optional Camera Control Module for select cameras
- Unobtrusive, quiet operation
- Control software available for Windows NT/2000/XP compatible PCs
- Control of either direct drive or servo drive lenses
- Integrated camera power supply
- All connectors for power and control included
- 5-pin connector on base allows easy connection of power and control lines - no soldering needed
- Designed for a wide range of applications
- Up to 99 presets per head stored internally in non-volatile memory
- Video signal routed through P/T base
- Composite output, optional component or SDI output



Camera and lens not included.



- Weight Capacity: 12 lbs.
- Pan Range: +/- 179°;
- Tilt Range: +/- 90°
- Speed: Variable 0-30° per second
- Accuracy: +/- 5 arc minutes (.08°)
- Control: RS-485  
RS-232 Switchable
- Presets: 99 Maximum  
(20 w/ PT-C55)
- Power: 24 VDC
- Current: 1.5 amp  
2.5 amp with camera
- Weight: 9 lbs. (4.0 kg.)
- Built in 12 VDC camera power supply
- Requires Telecon or DC drive lens
- Pedestal or Ceiling configurable
- 1 year warranty

List Price \$4,836



The DDI PT-250 is the largest of our indoor Pan/Tilts. It's designed for medium to heavy-duty indoor applications and is suitable for broadcast applications.

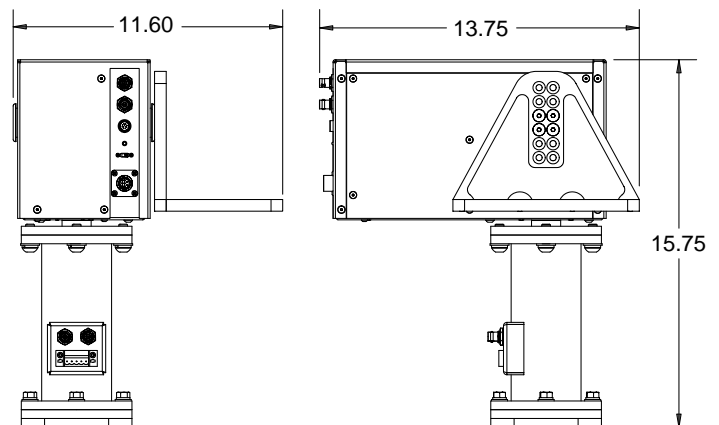
- Smooth Pan and Tilt action with accurate performance
- Designed for ENG 3 chip camera-lens combinations
- Optional Camera Control Module for select cameras
- Quiet, repeatable operation
- Programmable presets stored in P/T Head
- Integrated power supply for camera

FEATURES & BENEFITS

DRAWINGS & SPECIFICATIONS

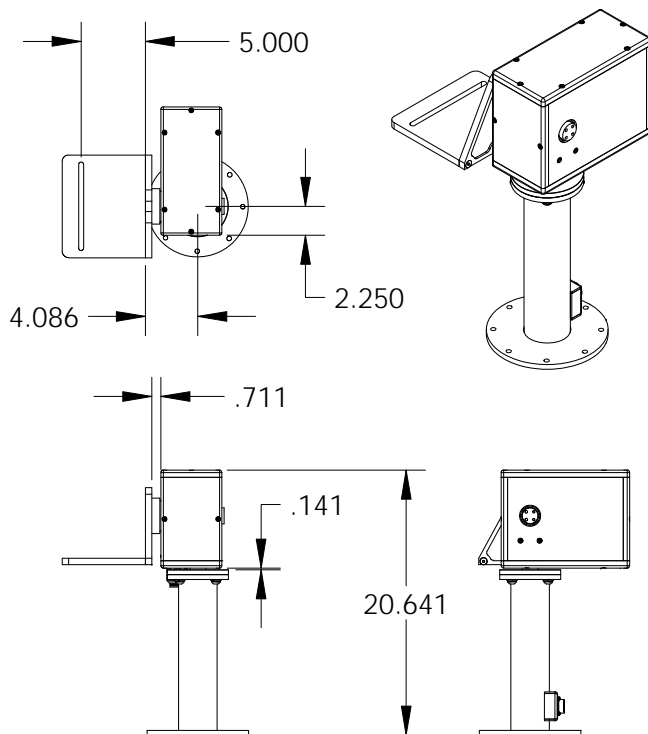
- Weight Capacity: 40 lbs.
- Pan Range: +/- 179°
- Tilt Range: +/- 90°
- Speed: Variable 0-30° per second
- Control: RS-485 / RS-232 switchable
- Presets: 99 Maximum  
(20 w/ PT-C55)
- Power: 24 VDC
- Current: 1.5 amp  
3.5 amp with camera
- Weight: 28 lbs.
- Built in 12 VDC camera power supply
- Two camera mounting positions: left or right of head
- Requires Telecon or DC drive lens
- 1 year warranty

List Price      \$6,809



The PTE-350 is for heavy-duty outdoor applications in which the camera and lens are protected in an environmental housing. It is designed for sports, highway, and other rugged applications.

- Smooth Pan and Tilt action with accurate performance
- Optional Camera Control Module for select cameras
- Quiet, repeatable operation
- Programmable presets stored in P/T Head
- Integrated power supply for camera



- Weight Capacity: 40 lbs.
- Pan Range: +/- 179°
- Tilt Range: +/- 45°
- P-T Speed: Variable 0°-30° / Second
- Operation: Pedestal or Ceiling Mount
- Control: RS-485 / RS-232 switchable
- Presets: 99 Maximum (20 w/ PT-C55)
- Power: 24 VDC
- Current: 1.5 amp  
2.5 amp with camera
- Weight: 28 lbs.
- Built in 12 VDC camera power supply
- Requires Telecon or DC drive lens
- 1 year warranty

List Price \$7,270



### PT-C55 Controller

The PT-C55 provides full pan, tilt, zoom, focus, and iris control to any of our Pan/Tilt units. It can control up to eight heads, and has the ability to store and recall 20 presets per head. This unit also supports control of camera CCU functions.

- Controls any combination of PT-50, 101, 250 or 350 heads
- Proportional speed control of pan and tilt
- Focus control on twist joystick
- Zoom control on dedicated rocker
- Remote camera control of select cameras
- Provides basic CCU functionality for select cameras with CCB option
- RS-485 control protocol
- Presets: 20 per head
- Power: 12 VDC (included)
- Dimension: 10.25"W x 8.00"D x 4.25"H
- Weight: 1.5 lbs.
- 1 year warranty

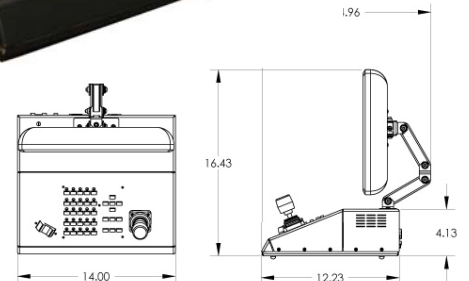
List Price \$2,031

FEATURES & BENEFITS

### PT-TSC2 Touch Screen

- Desktop pan/tilt controller & camera control unit
- 15" LCD touch screen and three axis proportional joystick with rocker for smooth zoom and focus control
- Pan/tilt, lens, and camera painting controls, as well as camera control menu access
- Requires pan/tilt heads and 1 PT-CCB per camera head
- Controls up to 125 pan/tilt heads
- CCU functionality depends upon camera make/model
- Windows™-based software
- RS-485 control protocol
- Presets: up to 99 per head
- Power: 12 VDC
- Dimension: 14.00"W x 15.00"D x 16.43"H
- Weight: 16.0 lbs.
- 1 year warranty

List Price \$6,300



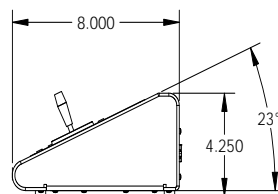
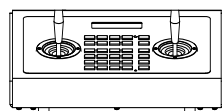
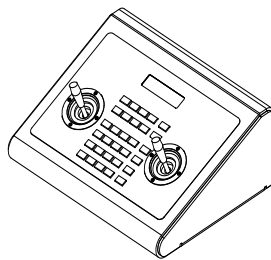
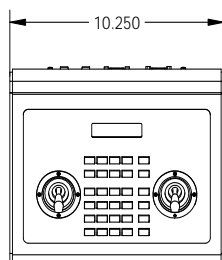
FEATURES & BENEFITS

### PT-C

- Dual-Joystick Control Panel  
Pan, Tilt, Zoom, Focus
- Controls up to 16 pan/tilt heads
- Controls any combination of PT-50, -101,-250, or PTE-350 heads
- Store and recalls up to 32 presets per head
- Proportional speed control of pan and tilt
- Three speed ranges for pan and tilt
- Variable-speed zoom and focus
- Alpha-numeric display

### PT-CC

- Desktop camera control unit
- Requires PT-C and 1 PT-CCB per camera head
- Store and recall scene presets for select cameras
- Direct push-button control of: Auto White / Black, H & SC Phase, Iris, Shutter, Contrast, Gain, Camera/Bars, etc.
- CCU functionality depends upon camera make/model

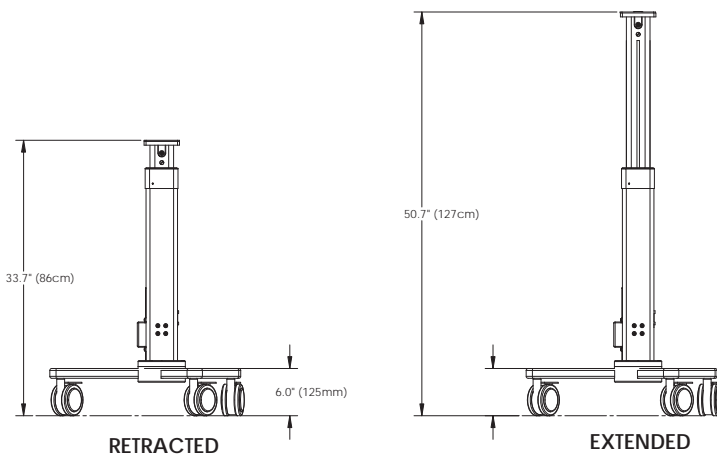


- RS-485 control protocol
- Presets: 32 per head
- Power: 12 VDC (included)
- Dimension: 10.25"W x 8.0"D x 4.25"H
- Weight: 1.5 lbs.
- 1 year warranty

List Price      PT-C controller \$1,934  
                          PT-CC cam ctrl \$1,346

The Pedevator2 is a heavy-duty motorized tripod for indoor studio use.

- Full DDI or Eagle system compatibility
- Silent gear drive
- Will handle pan/tilt head, prompter and camera/lens combinations weighing up to 100 lbs.
- Detachable, pivoting base legs with 4" diameter locking swivel casters
- Completely self-contained, no additional interface modules needed
- All necessary connectors for power and control are included



- RS-485 control protocol
- Presets: 32
- Power: 24 VDC (not included)
- Dimension: 24"W x 24"D x 33"H
- Extension: 20"
- Weight: 80 lbs.
- 1 year warranty

List Price \$5,900

Model	Description	List Price
<i>Remote Controlled Pan/Tilt Heads</i>		
PT-50	<b>Light-duty Indoor Pan/Tilt Head.</b> 6 Lbs. weight capacity. Variable-speed/Vector solving motion. Internal non-volatile preset memory. Integrated 12 VDC out f/ cam. RS-485 / 232 control protocol. Stylish black finish. *Requires Telecon or DC drive lens. Composite video out.	\$2,660.00
PT-50-COMP	<b>Light-duty Indoor Pan/Tilt Head.</b> 6 Lbs. weight capacity. Variable-speed/Vector solving motion. Internal non-volatile preset memory. Integrated 12 VDC out f/ cam. RS-485 / 232 control protocol. Stylish black finish. *Requires Telecon or DC drive lens. Component video out.	\$3,143.00
PT-50-SDI	<b>Light-duty Indoor Pan/Tilt Head.</b> 6 Lbs. weight capacity. Variable-speed/Vector solving motion. Internal non-volatile preset memory. Integrated 12 VDC out f/ cam. RS-485 / 232 control protocol. Stylish black finish. *Requires Telecon or DC drive lens. Digital video out.	\$4,421.00
PT-101	<b>Medium-duty Indoor Pan/Tilt Head.</b> 12 Lbs. weight capacity. Variable-speed/Vector solving motion. Internal non-volatile preset memory. Integrated 12 VDC out f/ cam. RS-485 / 232 control. Stylish black finish. *Requires Telecon or DC drive lens. Composite video out.	\$4,836.00
PT-101-COMP	<b>Medium-duty Indoor Pan/Tilt Head.</b> 12 Lbs. weight capacity. Variable-speed/Vector solving motion. Internal non-volatile preset memory. Integrated 12 VDC out f/ cam. RS-485 / 232 control. Stylish black finish. *Requires Telecon or DC drive lens. Component video out.	\$5,297.00
PT-101-SDI	<b>Medium-duty Indoor Pan/Tilt Head.</b> 12 Lbs. weight capacity. Variable-speed/Vector solving motion. Internal non-volatile preset memory. Integrated 12 VDC out f/ cam. RS-485 / 232 control. Stylish black finish. *Requires Telecon or DC drive lens. Digital video out.	\$6,057.00
PT-250	<b>Heavy-duty Indoor Pan/Tilt Head.</b> 40 Lbs. weight capacity. Variable-speed/Vector solving motion. Internal non-volatile preset memory. Integrated 12 VDC out f/ cam. RS-485 control protocol. Stylish black finish. *Requires Telecon or DC drive lens. Composite video out.	\$6,809.00
PTE-350	<b>Heavy-duty Indoor / Outdoor Pan/Tilt Head.</b> Requires Environmental Enclosure (see Accessories) for outdoor applications. 50 Lbs. weight capacity. Variable-speed/Vector solving motion. Internal non-volatile preset memory. Integrated 12 VDC out f/ cam. RS-485 control protocol. *Requires Telecon or DC drive lens. Composite video out.	\$7,270.00
<i>Pan/Tilt / Camera Controllers</i>		
PT-TSC2	<b>Touch Screen Controller</b> w/ proportional digital joystick for control of pan-tilt and focus. Rocker for zoom control. Controls up to 125 Pan Tilt Heads/cameras. CCU functions with PT-CCB. Proportional speed & RS-485 control. *Provides basic CCU functionality for select cameras with CCB option.	\$6,300.00
PT-C55	<b>Desktop Joystick Pan/Tilt Control Panel.</b> Control up to eight Pan/Tilt Heads. Recall up to 20 Presets per head. Proportional Speed control. Toggle zoom, twist focus control. *Provides basic CCU functionality for select cameras with CCB option.	\$2,031.00
PT-C	<b>Desktop Dual Joystick Control Panel.</b> Control up to 32 Pan/Tilt Heads. Recall up to 64 Presets per head. Proportional Speed control with three speed ranges. Alpha-numeric display. RS-485 control protocol.	\$1,934.00
PT-CC	<b>Desktop Camera Control Unit</b> for control of up to 32 cameras. Requires PTC-101 and 1 ea..) PT-CCB per camera head. *Level of CCU functionality depends upon make & model camera.	\$1,346.00
PT-CCB-50,-101	<b>Camera Control Board.</b> Installs within PT-50/PT-101 / PT-250 / PTE-350 to provide CCU communication. *Level of CCU functionality depends upon make & model camera.	\$231.00
<i>Accessories- Power Supplies</i>		
PT-SB	Shot box for recording and replaying live-action camera moves.	\$868.00
PS-24-2.5	Power Supply. 24 VDC / 2.5A Use with 1 ea.) PT-50 w/ camera.	\$260.00
PS-24-12	Power Supply. 24 VDC / 12.0 A; 4 outputs of 3A / each. Use with 4 ea. ) PT-50 w/ cameras.	\$617.00
PS-24-6.5	Power Supply. 24 VDC / 6.5A. Use with PT-101 / PT-220 w/ camera.	\$387.00
PS-24-6.5E	Power Supply w/ NEMA 4X Outdoor Enclosure. 24 VDC / 6.5A. Use with PT-300 w/ camera.	\$631.00
PS-24-20	Power Supply. 24 VDC / 20 A. Use with large Multi-Head systems.	\$979.00
<i>Accessories- Mounts</i>		
PT-CM-50	Ceiling Mount for PT-50.	\$110.00
PT-WM-12	Wall Mount for small pan/tilt / camera. 12" long.	\$136.00
PT-WM-18	Wall Mount for medium pan/tilt / camera. 18" long.	\$163.00
Pedevator2	Heavy-duty motorized tripod for indoor studio use.	\$5,900.00
PT-PM-18	Parapet Mount for outdoor applications.	\$385.00
<i>Accessories- Environmental, Control</i>		
PT-EE-S	Environmental camera enclosure for small camera/lens. Includes sun shield, blower & lock. Specify camera & lens to confirm fit.	\$727.00
PT-EE-L	Environmental camera enclosure for larger camera/lens. Includes sun shield, blower & lock. Specify camera & lens to confirm fit.	\$1,040.00
PT-EE-HTR	Heater option for PT-EE.	\$307.00
PT-EE-DEF	Defroster / defogger option for PT-EE.	\$147.00
PT-1x6	Control + DC power splitter. Provides convenient termination / distribution of serial control and 24 VDC power to up to six locations.	\$233.00
PT-REL-8	8 Control Relays (NO-NC) with remote serial control. Provides remote on / off of heater and other options.	\$551.00