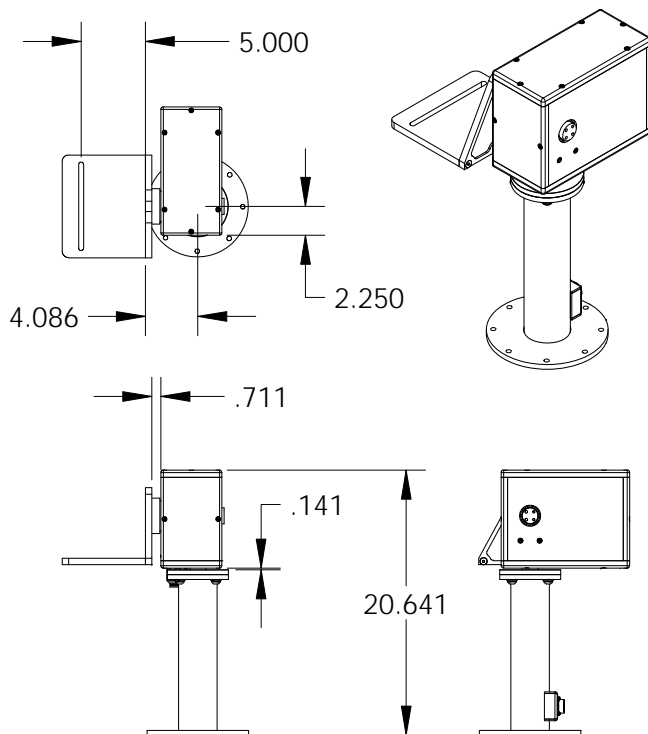


The PTE-350 is for heavy-duty outdoor applications in which the camera and lens are protected in an environmental housing. It is designed for sports, highway, and other rugged applications.

- Smooth Pan and Tilt action with accurate performance
- Optional Camera Control Module for select cameras
- Quiet, repeatable operation
- Programmable presets stored in P/T Head
- Integrated power supply for camera



- Weight Capacity: 40 lbs.
- Pan Range: +/- 179°
- Tilt Range: +/- 45°
- P-T Speed: Variable 0°-30° / Second
- Operation: Pedestal or Ceiling Mount
- Control: RS-485 / RS-232 switchable
- Presets: 99 Maximum (20 w/ PT-C55)
- Power: 24 VDC
- Current: 1.5 amp
2.5 amp with camera
- Weight: 28 lbs.
- Built in 12 VDC camera power supply
- Requires Telecon or DC drive lens
- 1 year warranty

List Price \$7,270