

DISPLAY[®] DEVICES

WV-BX-TEMP Installation Instructions

WV-BX-TEMP is a ventilated plenum enclosure for Wolfvision Visualizer Series VZ-C11, C12, C 30 & 32

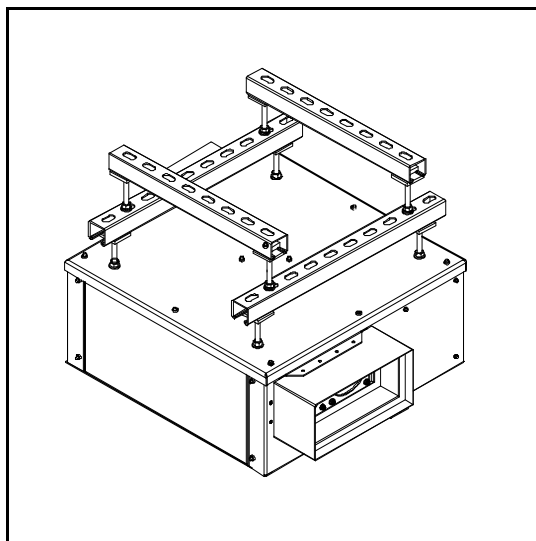
The Plenum Assembly is designed to be installed above grid tile ceiling and house the Visualizer.

Ensure the ceiling structure is capable of holding at least **four times** the combined weight of the plenum enclosure **and** Visualizer (600 lbs.). This is a **minimum** requirement. Follow any local or state codes that apply to your specific area.

Review the assembly drawing to familiarize yourself with the components.

Tools required:

Wire stripper, utility knife, knock-out tool, hammer, Socket/open-end wrench set, #3 Phillips-head and large slotted screwdrivers

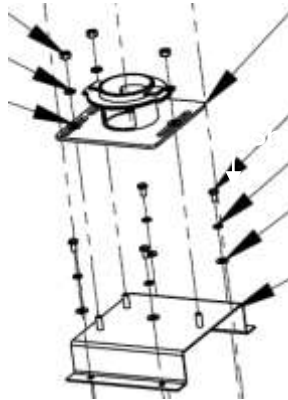


PRE-INSTALLATION

1. Determine your signal cable path into the unit. Use a knock-out tool or drill bit to position the cable hole where you need it. Be sure to secure the cables after installation.

DISPLAY DEVICES

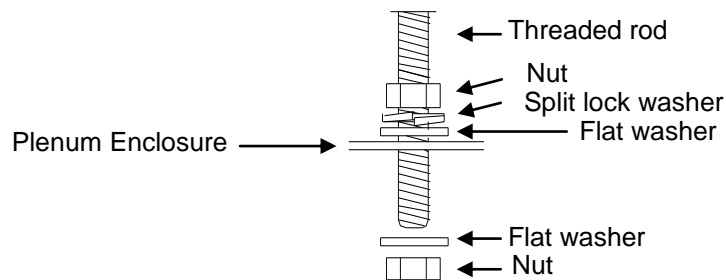
2. Attach the Visualizer Ceiling Mount – guide the flat end of the Visualizer ceiling mount to the three threaded studs on the enclosure mount. Secure the mount to the studs with the 1/4-20 hardware provided. Reference graphic below:



UNIT INSTALLATION

3. The plenum assembly may be hung from structural channel or threaded rod. Determine what method works best for you. We recommend structural channel with two pairs of channel perpendicular to each other. This will allow the box to slide side-to-side or front-to-rear for precise alignment to existing T-grid ceilings.
4. The top of the plenum assembly should hang approximately 11" above the bottom of the finished ceiling – flush with the top side of T-grid ceiling. Small sections of the upper "T" in the grid may have to be trimmed for clearances.
5. Install threaded rods or attachment points to align to the four mount holes on 18" x 18" spacing.
6. Raise the unit up (requires two people or material lift) to the appropriate vertical height. Be sure to have a sufficient amount of threaded rod to provide leveling room. Add hardware as follows for leveling: above unit – nut/lock washer/flat washer; underside of unit – washer and nut (do not tighten yet)

DISPLAY_® DEVICES



7. Use a bubble level to level the unit front-to-back and side-to-side. Tighten hardware.
8. Attach the fire dampers using the enclosed sheet metal screws. Note: the up position of the damper indicated by an arrow.
9. Add runs of ductwork on the intake and exhaust fire dampers to disperse fan noise sound further away from the plenum box. If the air in the ceiling space is dirty, you may want to add an air filter on the intake duct.

NOTE: If the airspace above the T-grid ceiling gets excessively hot you may need to plumb a fresh air source to the air intake.

10. Route signal cables through the knockout hole you installed. Secure.
11. Attach AC power from the Visualizer to the installed single-gang J-box. Connect power from source to the single-gang box according to your local building codes.
12. Align the Visualizer with its mount. A positive locking 'click' will ensure a positive mount.



DISPLAY DEVICES

13. Connect signal cables to the Visualizer.
14. Turn on the power switch on the enclosure power supply.
15. Plug in the power cord to the Visualizer and into the AC outlet on the enclosure power supply.
16. To activate the enclosures internal power current sensor, turn on the power switch on the Visualizer (standby mode). Wait 20 seconds, then depress the button next to the LED on the power supply.
17. Test the unit by using the Visualizer remote to turn on the power. When the Visualizer power is on, the enclosure fans will turn on.
18. Remove the protective film on both sides of the optical glass.