

# DISPLAY DEVICES

***MFD-50***

## **Microphone Rotating Lift**

### **Installation Manual**



**READ ALL INSTRUCTIONS BEFORE BEGINNING INSTALLATION**

Thanks for purchasing a Display Devices lift product. We're sure your customer will enjoy this rotating lift for years to come. Our products are designed to be maintenance-free saving you future service time. If you experience any difficulties, please contact us at 303-412-0399. Thank you for your support.

tel: 303.412.0399  
fax: 303.412.9346

[www.displaydevices.com](http://www.displaydevices.com)  
[tech@displaydevices.com](mailto:tech@displaydevices.com)

5880 Sheridan Blvd., Arvada, Colorado 80003

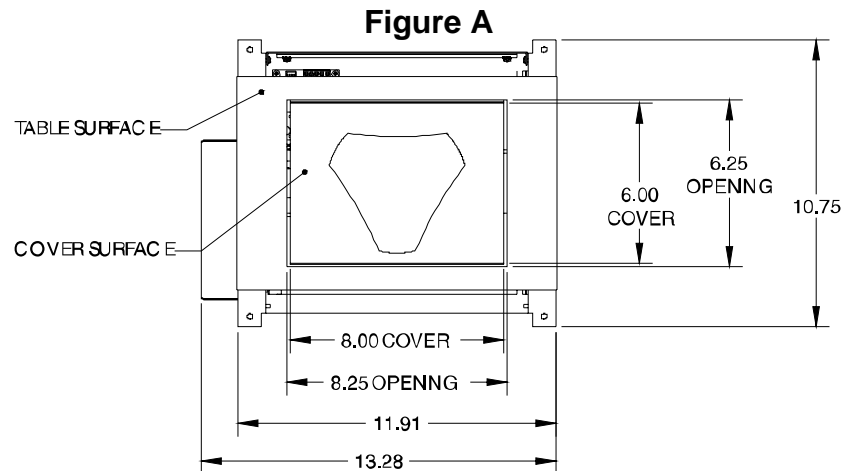
**It is the responsibility of the dealer installer to ensure this product is properly supported and meets all local building codes. DO ensure the table structure is capable of holding at least four times the combined weight of the MFD. This is a minimum requirement. Follow any local or state codes that apply to your specific area.**

The MFD-50 is a furniture-mounted device which rotates (flips) to reveal a hidden microphone or other small device from inside a table. It is designed for integration into boardroom / classroom tables. The MFD-50 can be fitted with material from your table so it sits flush with the table top. Weight load capacity is 3 lbs.

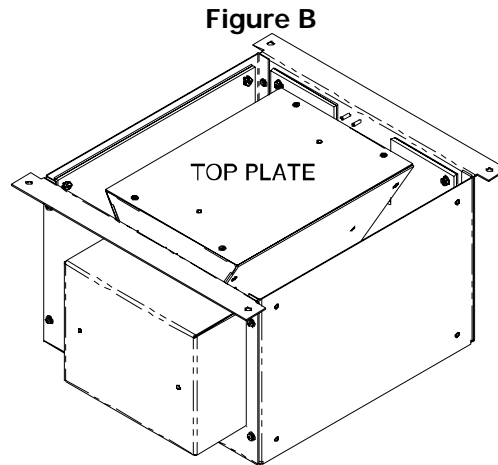
## Tools required:

- Philips-head Screwdriver
- Drill
- Wire-management tools (crimper, etc.)
- 7/64" Allen wrench
- Velcro or double-stick tape to attach microphone

## Installation

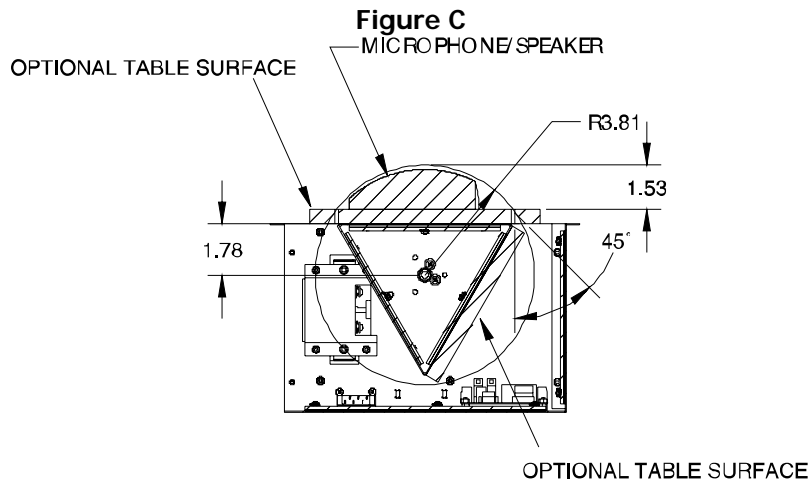


- 1.) Determine the orientation of rotation for the MFD-50 based on the size of the microphone being used and the size/style of the table in which it will be installed.
- 2.) Have a professional mill worker cut an 8.25" x 6.25" hole in the conference table based on the orientation you've chosen. The bottom of the hole should be undercut with a route at a 45 degree angle in the direction of rotation (as shown in Figure C). Be sure to allow enough clearance from the edge of the table to fit the entire assembly and cabling. The MFD-50 is designed to mount to a table top no more that 1/2" thick. If the table top is more than 1/2" thick, have the mill worker router out a pocket that is at least 13.28" x 10.75" to house the unit.
- 3.) Before attaching the unit to the table, unscrew the four screws and remove the top plate from the unit (as shown in Figure B, below). This is the surface to which the microphone/speaker will be affixed.



- 4.) Determine the microphone location and signal pathway and drill a hole in the top plate large enough to accommodate all the required cabling. Removing the connector on the microphone cable will allow for a smaller hole.

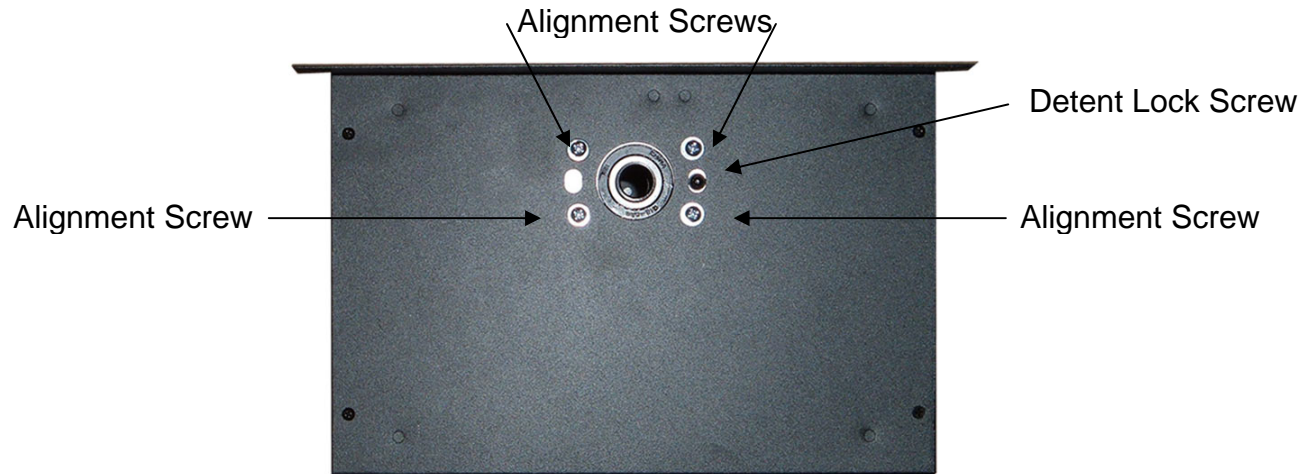
**Optional:** For a more seamless appearance, have the mill worker attach a matching piece of wood or veneer from the table to the top plate. Another wood surface may be attached in the same manner to the plate in the “down” position as well. ½” is the maximum recommended cover thickness. If you will be performing this modification, **do not** permanently attach the wood to the plate until instructed to do so.



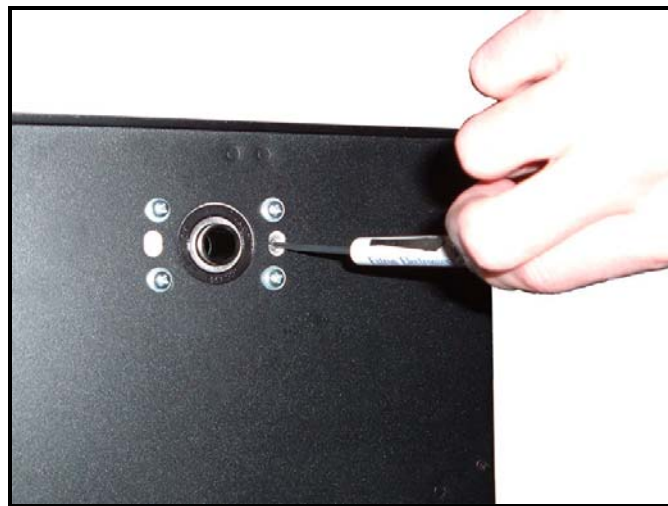
- 5.) Run the necessary wiring from the microphone/speaker through the newly-drilled hole(s), through the triangular pivot, and out the side of the unit.
- 6.) Use Velcro, double-stick tape, or a similar product to attach the microphone/speaker to the top plate or wood surface. Depending on the equipment you are using, it might be easier to connect the wiring before attaching the microphone or speaker. Then, reattach the top plate to the assembly. If you are adding the wood cover, make sure there is enough clearance to allow the device to rotate fully. Once you have verified this, attach the wood to the plate.

- 7.) Before installing the MFD in your table, ensure that the top surface is level. If level adjustment is required, loosen the (4) Phillips-head screws at each pivot end. Level side-to-side and front-to-back. Tighten screws.

**Figure D**



- 8.) Detent adjustment is necessary only if the unit will not stay closed in the stowed position. Remove the Detent Lock Screw with a 1/8" Allen wrench. Use a tweaker to turn the screw: counter clockwise to loosen, clockwise to tighten. The end of the screw has a ball-bearing which settles into a cup. It should be adjusted loosely so only the ball-bearing releases when the unit is pivoted. Once adjusted, loosen 1/8 rotation (counterclockwise) and reinstall the Detent Lock Screw.



**Detent Screw**  
(flat-head captive screw)

- 9.) If you have installed wood coverings on the MFD, it is recommended that you wire and test the rotation before installing it in your table in case any additional modifications are necessary. See the next section for information about powering the unit and using the included remote control. Make sure that the wood surfaces are not impeding the rotation before continuing to the next step.

- 10.) Line up the top plate of the MFD with the cutout in the table. Once it's aligned properly, attach the unit to the underside of the table by threading four wood screws through the holes in the side flaps. Exercise caution when attaching the screws so they don't protrude through the top of the table. It is recommended that you work with your mill worker while performing this step to insure a seamless installation. If unit is not level see step # 7 to re-level.