

DISPLAY DEVICES

MFD-100 **Microphone Rotating Lift** Installation Manual



READ ALL INSTRUCTIONS BEFORE BEGINNING INSTALLATION

Thanks for purchasing a Display Devices lift product. We're sure your customer will enjoy this rotating lift for years to come. Our products are designed to be maintenance-free saving you future service time. If you experience any difficulties, please contact us at 303-412-0399. Thank you for your support.

tel: 303.412.0399
fax: 303.412.9346

www.displaydevices.com
tech@displaydevices.com

5880 Sheridan Blvd., Arvada, Colorado 80003

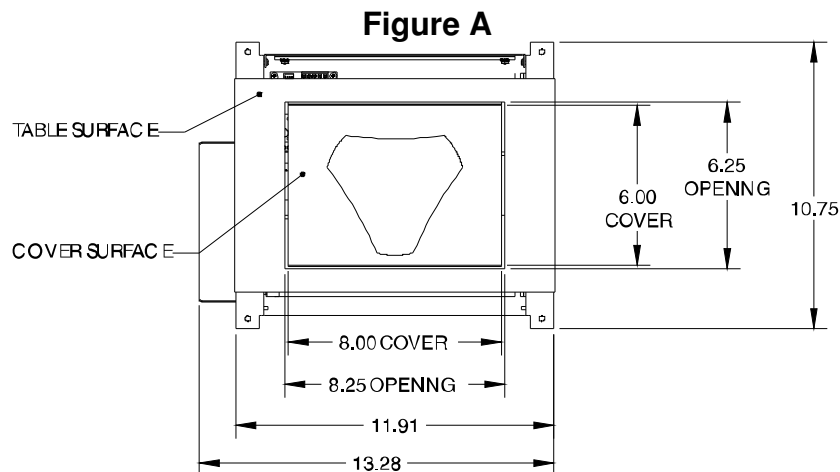
It is the responsibility of the dealer installer to ensure this product is properly supported and meets all local building codes. DO ensure the table structure is capable of holding at least four times the combined weight of the MFD. This is a minimum requirement. Follow any local or state codes that apply to your specific area.

The MFD-100 is a furniture-mounted, motorized rotator which “flips” to reveal a hidden microphone or other small device from inside a table. It is designed for integration into boardroom / classroom tables. The MFD-100 can be fitted with material from your table so it sits flush with the table top. Weight load capacity is 3 lbs.

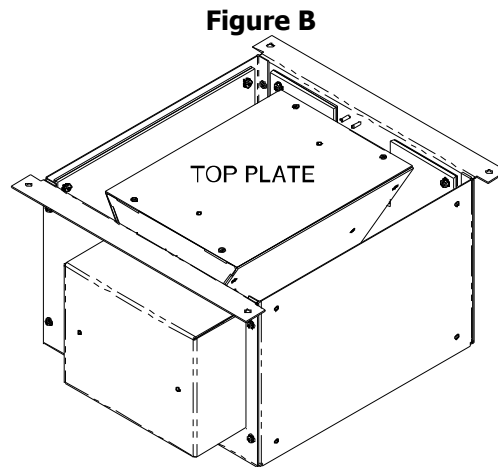
Tools required:

Philips-head Screwdriver
Drill
Wire-management tools (crimper, etc.)
7/64" Allen wrench
Magnetic tape, double-stick tape to attach table surface to rotator

Installation



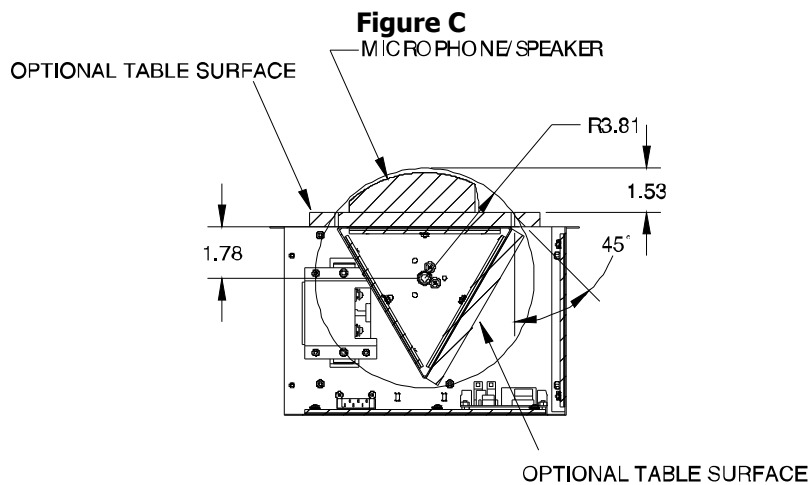
- 1.) Determine the orientation of rotation for the MFD-100/50 based on the size of the microphone being used and the size/style of the table in which it will be installed.
- 2.) Have a professional mill worker cut an 8.25" x 6.25" hole in the conference table based on the orientation you've chosen. The bottom of the hole should be undercut with a route at a 45 degree angle in the direction of rotation (as shown in Figure C). Be sure to allow enough clearance from the edge of the table to fit the entire assembly and cabling. The MFD-100 is designed to mount to a table top no more than 1/2" thick. If the table top is more than 1/2" thick, have the mill worker router out a pocket that is at least 13.28" x 10.75" to house the unit.
- 3.) Before attaching the unit to the table, unscrew the four screws and remove the top plate from the unit (as shown in Figure B, below). This is the surface to which the matching tabletop and microphone/speaker will be affixed.



- 4.) Determine the microphone location and signal pathway and drill a hole in the top plate large enough to accommodate all the required cabling. Removing the connector on the microphone cable will allow for a smaller hole.

For a more seamless appearance, have the mill worker attach a matching piece of wood or veneer from the table to the top plate. Another wood surface may be attached in the same manner to the plate in the "down" position as well. 1/2" is the maximum recommended cover thickness. Use magnetic tape to hold the decorative table surface to the Top Plate. **Do not** permanently attach the wood to the plate until instructed to do so.

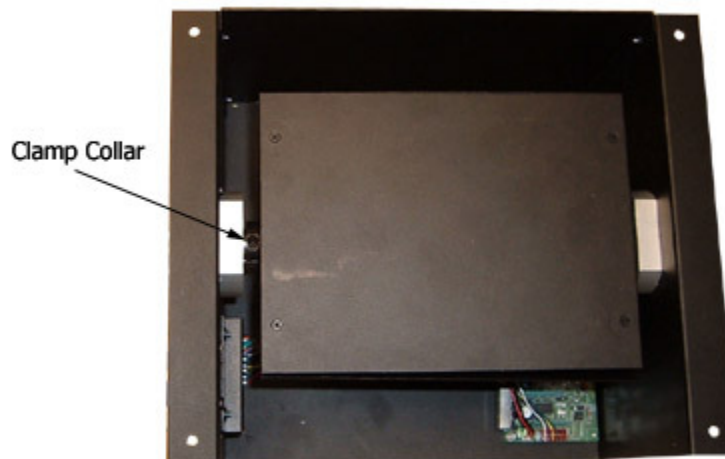
REMEMBER: MOST TABLE MICROPHONES NEED TO BE AT TABLE TOP HEIGHT TO WORK CORRECTLY!



- 5.) Run the necessary wiring from the microphone/speaker through the newly-drilled hole(s), through the triangular pivot, and out the side of the unit.
- 6.) Use magnetic tape, double-stick tape, or a similar product to attach the microphone/speaker to the top plate or wood surface. Depending on the equipment you are using, it might be easier to connect the wiring before attaching the microphone or speaker. Then, reattach the top plate to the assembly. If you are adding a matching table surface, make sure there is enough clearance to allow the device to rotate fully. Once you have verified this, attach the table surface to the plate.

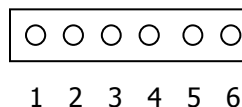
- 7.) Before installing the MFD in your table, ensure that the top surface is level. If manual level adjustment is required, unscrew the clamp collar using a 7/64" Allen wrench, adjust the plate until it is level, and retighten the clamp collar. The location of the clamp collar is shown below.

Figure D



- 8.) If you have installed wood coverings on the MFD, it is recommended that you wire and test the rotation before installing it in your table in case any additional modifications are necessary. See the next section for information about powering the unit and using the included remote control. Make sure that the wood surfaces are not impeding the rotation before continuing to the next step.
- 9.) Line up the top plate of the MFD with the cutout in the table. Once it's aligned properly, attach the unit to the underside of the table by threading four wood screws through the holes in the side flaps. Exercise caution when attaching the screws so they don't protrude through the top of the table. It is recommended that you work with your mill worker while performing this step to insure a seamless installation.

Powering the Lift and Remote Control



Attaching the three-button control and powering the lift:

- Pin 1: 'Home' button (BLACK)
- Pin 2: 'Show' button (RED)
- Pin 3: 'Stop' button (GREEN)
- Pin 4: Ground for control cable
- Pin 5: Power ground
- Pin 6: Positive Power, 24V DC

When the MFD-100 is receiving power, the red LED light on the inside circuit board will blink.

Using the Remote Control

Use the included hand-held remote control unit to initially setup and test the MFD-100. If operating the MFD from a control system, remove the hand-held control and integrate momentary contact closure to pins 1 through 4.

There are three buttons on the remote control unit: "**HOME**," "**SHOW**," and "**STOP**."

HOME: Unit rotates to the stored position and the microphone/speaker is hidden.

SHOW: Unit rotates to the up position and the microphone/speaker is revealed.

STOP: Unit rotation stops.

Programming Positions

Enter Manual Mode: hold **STOP** for ten seconds – LED on the internal circuit board will flash

Press **SHOW** to rotate to the show position. Press **STOP** at the desired position. If you rotate farther than needed, rotate backwards pressing **HOME** and **STOP** at the appropriate position.

To save this position - Press and hold **STOP** then press and hold **SHOW** – when LED flashes release **SHOW**, then release **STOP**.

Press **HOME** to rotate to the home position. Press **STOP** at the desired position. If you rotate farther than needed, rotate backwards pressing **SHOW** and **STOP** at the appropriate position. To save this position – Press and hold **STOP** then press and hold **HOME** – when LED flashes, release **HOME**, then release **STOP**.

Press and hold **STOP** – wait for the LED to flash, release. Unit is now programmed.