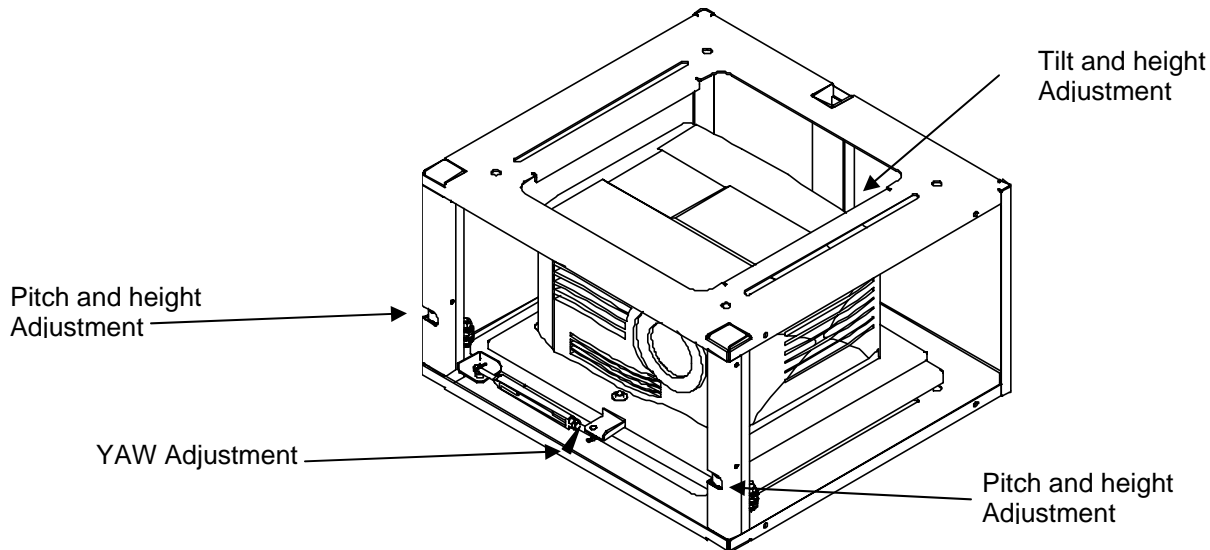


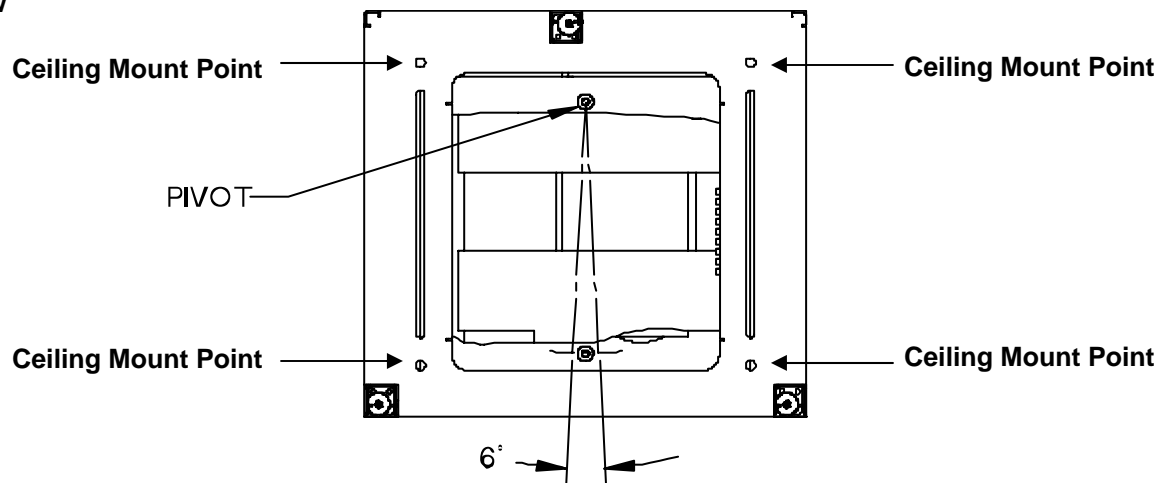
Installation Instructions AVStack Mini

Whether you are mounting this system in a facility with sheetrock or drop tile style ceiling you must attach to overhead structural points that are capable of holding at least **four times** the combined weight of the AVStack and Projector. This is a **minimum** requirement. Follow any local or state codes that apply to your specific area.



1. Begin by determining the exact mounting position of the AVStack frame. Span structural beams with a structural channel if points are not located precisely above (4) mounting points.

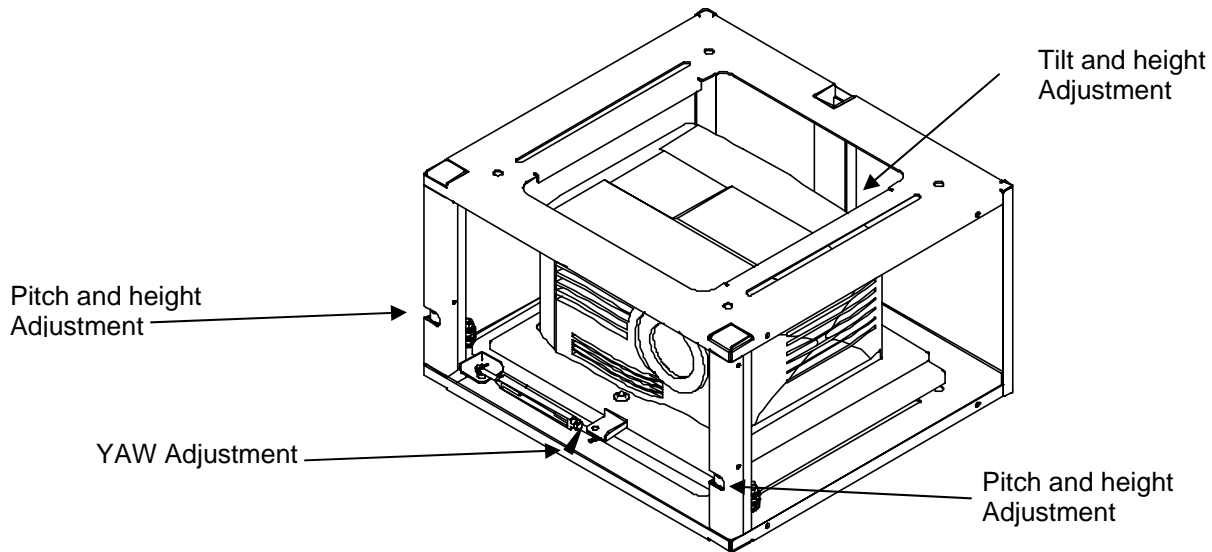
Top View



2. Use 3/8" threaded rod to attach to the (4) mounting points on the AVStack. These points are located towards corner of the frame. Be sure to use split lock washers, flat washers and upper and lower nuts. If mounting to truss use properly-rated c-clamps or cheeseboroughs. The mounting hardware can attach to the slots to canter on an angle.

DISPLAY DEVICES

3. Place the projector onto the mounting pan within the frame, align mounting pan holes with the projector mounting points and attach with enclosed mounting hardware.
4. To align projector, adjust pivot, pitch, height and tilt.



Important Notes:

- AVStacks may be double-stacked by bolting two units together vertically or horizontally. If stacking horizontally, be careful of your specific projectors exhaust (i.e., do not exhaust into 2nd projectors intake).
- Never stack more than two units high.
- AVStacks can be installed inverted as well.