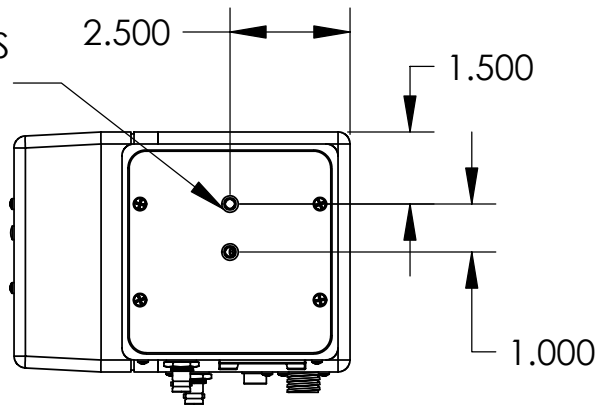


2X 1/4-20 MOUNT HOLES
.500 MAX DEPTH



DISPLAY DEVICES INC.

THE INFORMATION CONTAINED IN THIS DRAWING IS THE PROPERTY OF DISPLAY DEVICES, INC. ANY REPRODUCTION IN PART OR WHOLE WITHOUT THE WRITTEN PERMISSION OF DISPLAY DEVICES, INC IS PROHIBITED

UNLESS OTHERWISE SPECIFIED DIMENSIONS ARE IN INCHES.

TOLERANCES:

.XX = ± .02
.XXX = ± .010
.XXXX = ± .0050
ANGLE = ± 0.5

DISPLAY DEVICES, INC
5880 SHERIDAN BLVD
ARVADA, CO 80003

TITLE
PT-50, BNC CONN., BK59 COLOR

DRAWN	BAR	DATE	1/10/2006
CHECKED		DATE	
MATERIAL	NONE		
FINISH	NONE		

SIZE	DRAWING NO.	REV
B	125-003	F
SCALE	FILE NAME	SHEET 2 OF 2
NONE	125-003.SLDDRW	