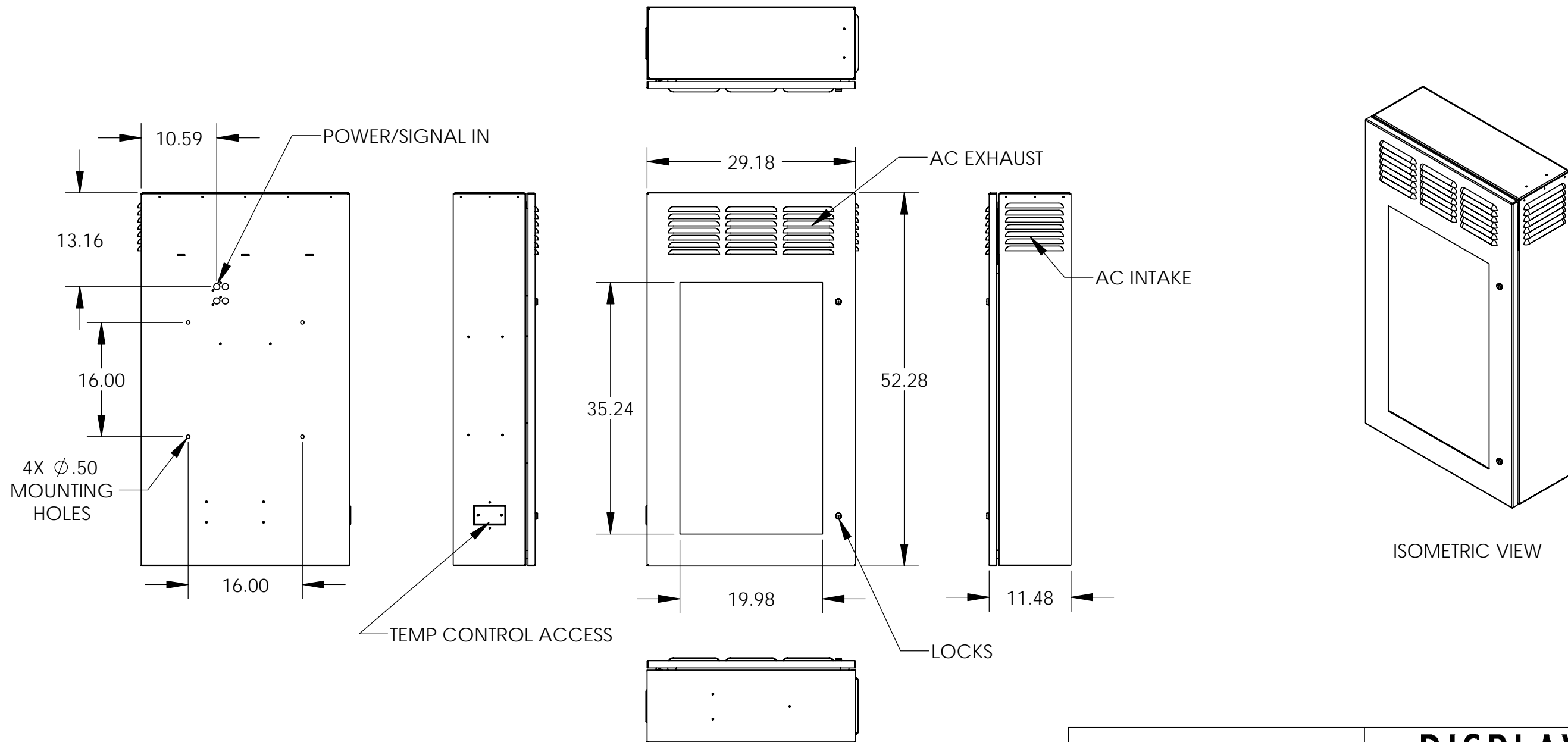


DRAWING REVISION BLOCK						
REV	ECO	DESCRIPTION	DRAWN	CHECKED	APPROVED	DATE
AX1	-	RELEASE FOR PROTOTYPE	BRM			12/13/2007



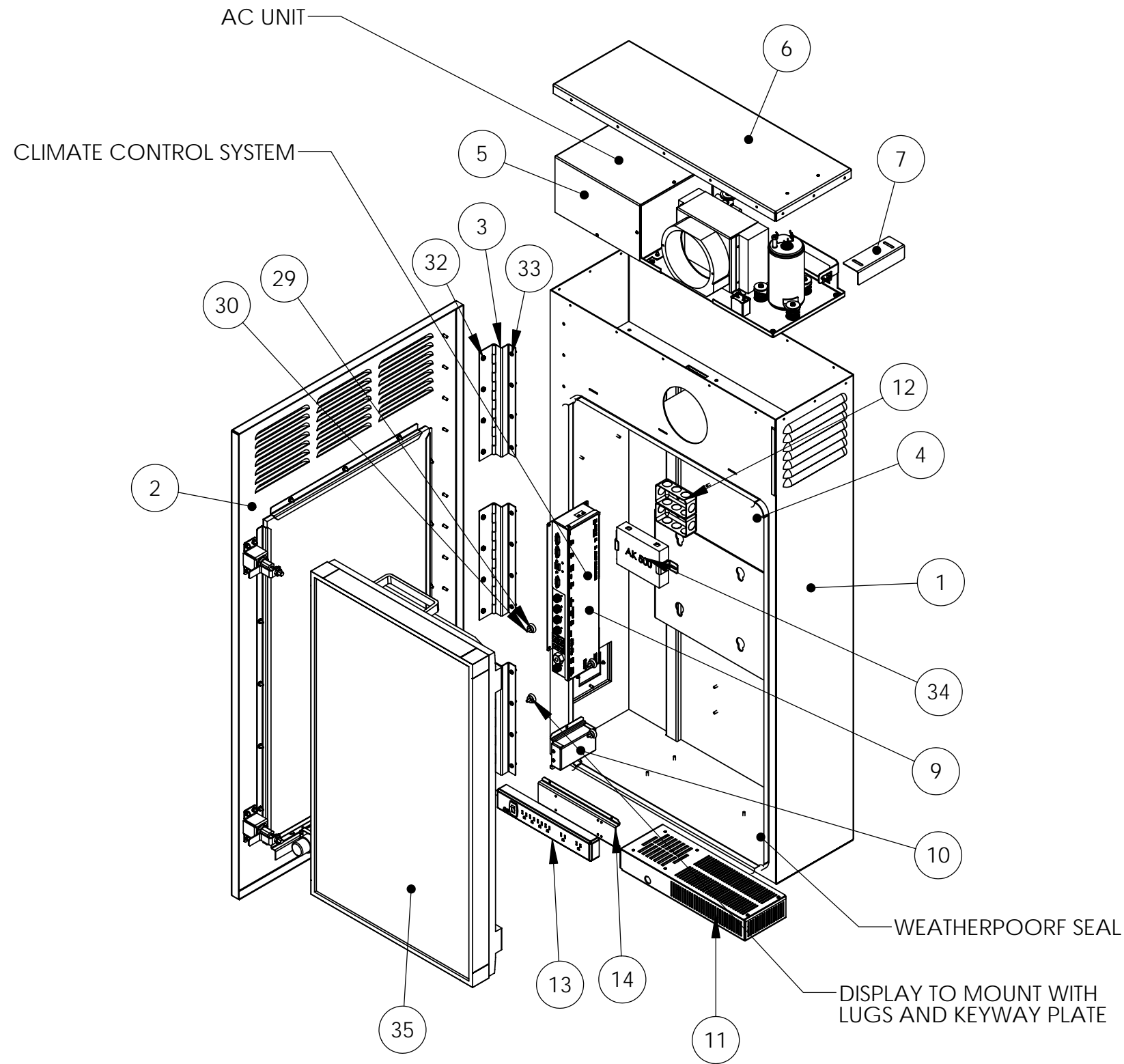
ISOMETRIC VIEW

**SHOWN WITH CUSTOMER SUPPLIED DISPLAY**

- 5. ALL THREADS TO BE FREE OF POWDER COAT AND, OR PAINT.
- 4. DEBUR ALL SHARP EDGES.
- 3.  $\otimes$  = ITEM CHANGED AT LAST REVISION.
- 2. ALL DIMENSIONS ARE IN INCHES.
- 1. DO NOT SCALE DRAWING.

NOTES: UNLESS OTHERWISE SPECIFIED

<p>THE INFORMATION CONTAINED IN THIS DRAWING IS THE PROPERTY OF DISPLAY DEVICES, INC. ANY REPRODUCTION IN PART OR WHOLE WITHOUT THE WRITTEN PERMISSION OF DISPLAY DEVICES, INC IS PROHIBITED</p>		<p>UNLESS OTHERWISE SPECIFIED DIMENSIONS ARE IN INCHES.</p> <p>TOLERANCES:          .XX = ± .02          .XXX = ± .010          .XXXX = ± .0050          ANGLE = ± 0.5</p>		<p><b>DISPLAY DEVICES</b>          5880 SHERIDAN BLVD          ARVADA, CO 80003</p>	
DRAWN		DATE		TITLE	
BRM		12/13/2007		42" PORTRAIT AC ENC	
CHECKED		DATE		DRAWING NO.	
				107-2361	
MATERIAL		SCALE		REV	
-		NONE		AX1	
FINISH		FILE NAME		SHEET 1 OF 2	
-		107-2361.SLDDRW			



**SHOWN WITH CUSTOMER  
SUPPLIED DISPLAY**

ITEM NO	QTY	PART NO	DESCRIPTION
1	1	107-2362	BOX WELDMENT
2	1	107-2368	DOOR ASSEMBLY
3	3	107-1402	SS OFFSET HINGE
4	1	107-2378	DOOR SEAL
5	1	107-2181	RAC 2000 - HORZ
6	1	107-2375	TOP
7	1	107-2376	FILTER HOLDER
8	1	TBD	FILTER
9	1	5-221	MAIN CONTROL BOX
10	1	5-219	LCD BOX
11	1	107-2061	HEATER
12	2	3450-20550	HANDY BOX,1-1/2" DEEP,RACO 650
13	1	TBD	SURGE PROTECTOR
14	1	275-308	SURGE PROTECTOR MOUNT
15	2	69-183	CLAMP
16	2	69-184	FOAM INSERT
17	1	107-1406	TEMP CONTROL COVER
18	1	107-2379	INSUL1
19	1	107-2381	INSUL1b
20	4	107-2382	INSUL2
21	1	107-2384	INSUL3
22	1	107-2385	INSUL3b
23	1	107-2386	INSUL4
24	1	107-2387	INSUL4b
25	1	107-2388	INSUL5
26	1	107-2389	INSUL5b
27	1	107-2391	INSUL6
28	1	107-2392	INSUL6b
29	4	97-417	LUG
30	4	5900-35550	M6 X 1.0 X 12, SHCS, HX, STL, BO
31	2	5900-41980	6-32 X .50, FH,STX,SS
32	12	6000-00009	10-32, KEPS NUT, SS
33	12	5900-00045	10-32 X 1/2, PH, P, STL, BZ
34	1	-	AK500
35	1	-	NEC LCD4020

THE INFORMATION CONTAINED IN THIS DRAWING IS THE PROPERTY OF DISPLAY DEVICES, INC. ANY REPRODUCTION IN PART OR WHOLE WITHOUT THE WRITTEN PERMISSION OF DISPLAY DEVICES, INC IS PROHIBITED		UNLESS OTHERWISE SPECIFIED DIMENSIONS ARE IN INCHES.  TOLERANCES: .XX = ± .02 .XXX = ± .010 .XXXX = ± .0050 ANGLE = ± 0.5		<b>DISPLAY DEVICES</b> 5880 SHERIDAN BLVD ARVADA, CO 80003	
		TITLE		42" PORTRAIT AC ENC	
DRAWN	BRM	DATE	12/13/2007	SIZE	B
CHECKED		DATE		DRAWING NO.	107-2361
MATERIAL	-	SCALE	NONE	REV	AX1
FINISH	-	FILE NAME	107-2361.SLDDRW	SHEET 2 OF 2	