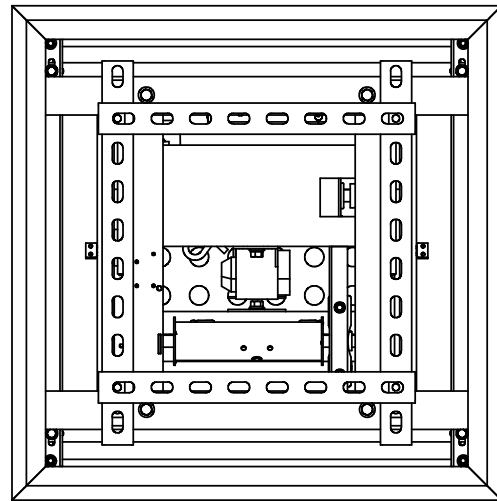
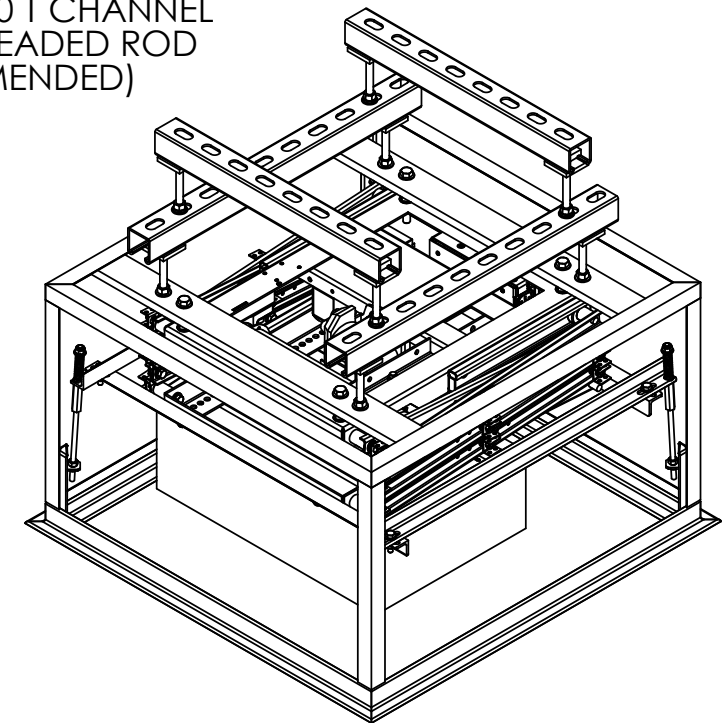


DRAWING REVISION BLOCK						
REV	ER	DESCRIPTION	DRAWN	CHECKED	APPROVED	DATE



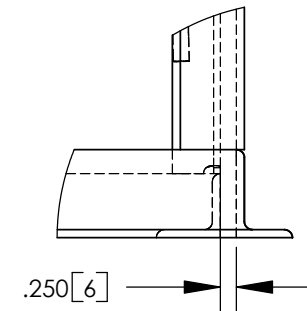
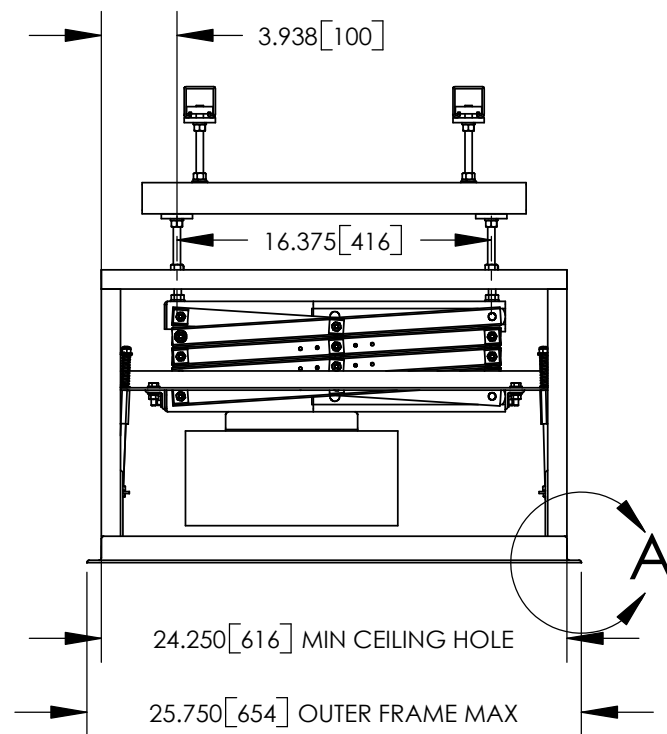
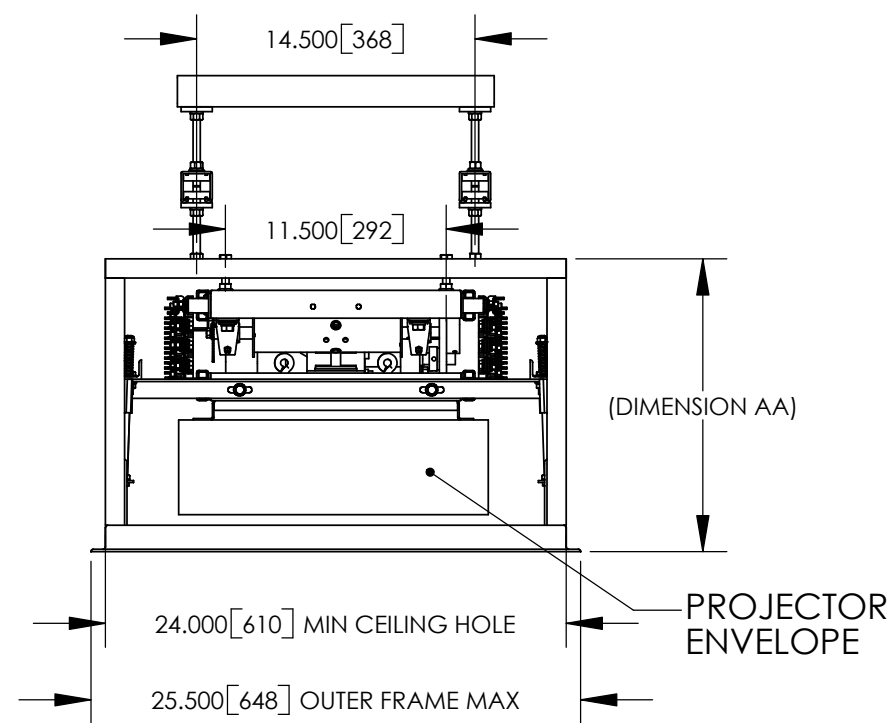
LCD SIZE	DIMENSION AA	
	INCHES	mm
LCD-104	15.250	387
LCD-105	16.250	413
LCD-106	17.250	438
LCD-107	18.250	464

UNISTRUT P1000 T CHANNEL
AND 3/8" THREADED ROD
(RECOMMENDED)



NOTES:

- * UNITS = INCHES [mm].
- * DIMENSION AA IS REQUIRED SPACE ABOVE CEILING.
- * COMPONENTS SHOWN ARE THE YAMAHA LPX-500 WITH MOUNT 73-306, LCD-104, OPT3 AND OPT1.
- * CTB ROD LENGTH IS 8.500".
- * OPT3 SKINS ARE REMOVED IN THESE DRAWING VIEWS.



DETAIL A
SCALE 1 : 3

		DISPLAY DEVICES, INC 5880 SHERIDAN BLVD ARVADA, CO 80003				
		TITLE LCD - OPT3 CUSTOM SIZE - OPT1 LIPLESS - W/YAMAHA LPX-500				
THE INFORMATION CONTAINED IN THIS DRAWING IS THE PROPERTY OF DISPLAY DEVICES, INC. ANY REPRODUCTION IN PART OR WHOLE WITHOUT THE WRITTEN PERMISSION OF DISPLAY DEVICES, INC IS PROHIBITED	UNLESS OTHERWISE SPECIFIED DIMENSIONS ARE IN INCHES. TOLERANCES: .XX = ± .02 .XXX = ± .010 .XXXX = ± .0050 ANGLE = ± 0.5	DRAWN RLS CHECKED DATE DATE 6/1/2004	DATE 6/1/2004	SIZE B	DRAWING NO. 314-041	REV A
MATERIAL NONE		FINISH NONE		SCALE NONE	FILE NAME 314-041.SLDDRW	SHEET 1 OF 2