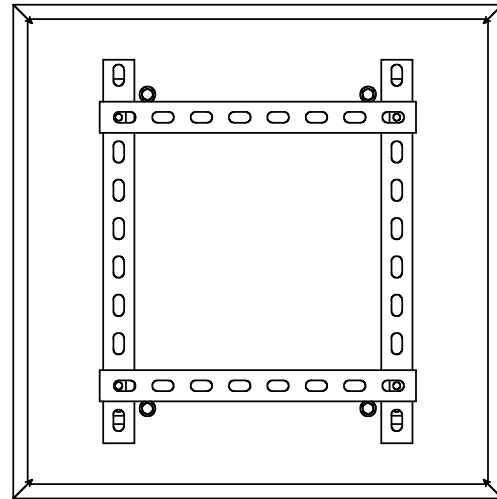
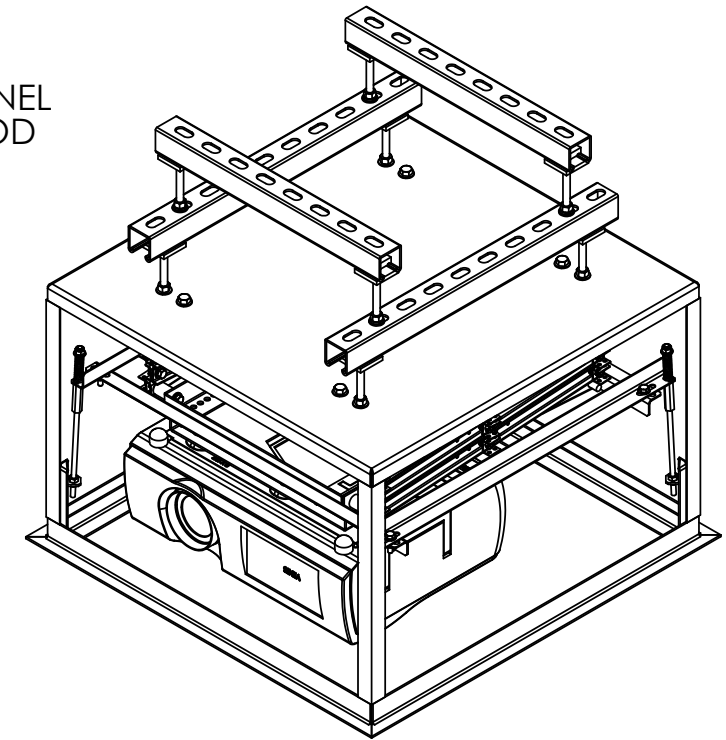


DRAWING REVISION BLOCK						
REV	ER	DESCRIPTION	DRAWN	CHECKED	APPROVED	DATE
A		RELEASE FOR PRODUCTION.	BAR			



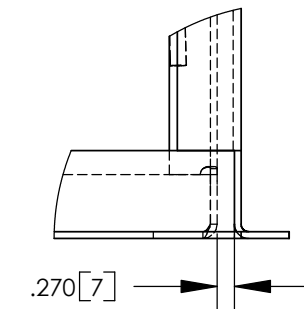
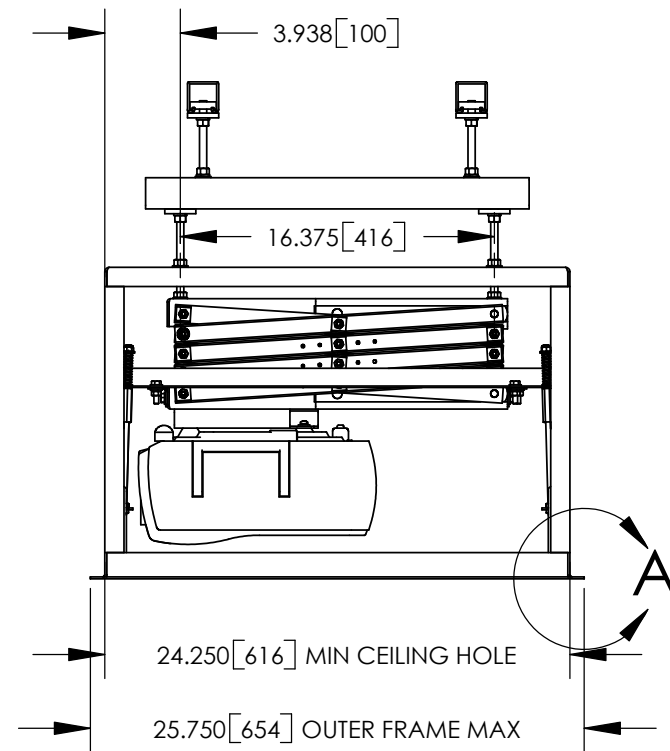
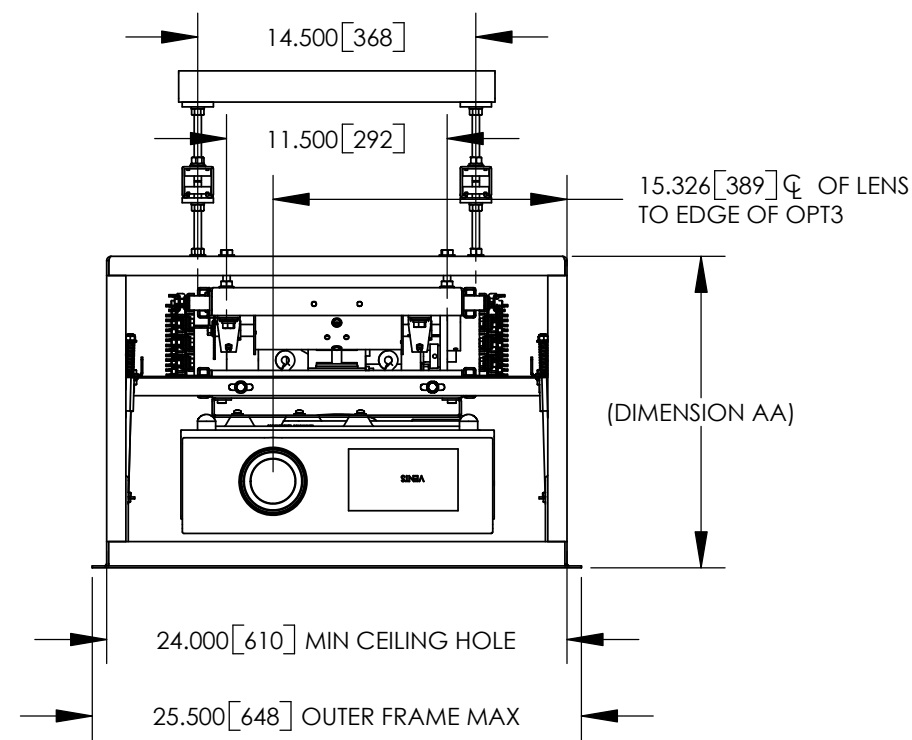
LCD SIZE	DIMENSION AA	
	INCHES	mm
LCD-104	16.250	413
LCD-105	17.250	438
LCD-106	18.250	464
LCD-107	19.250	489

UNISTRUT P1000 T CHANNEL
AND 3/8" THREADED ROD
(RECOMMENDED)



NOTES:

- * UNITS = INCHES [mm].
- * DIMENSION AA IS REQUIRED SPACE ABOVE CEILING.
- * COMPONENTS SHOWN ARE THE SONY VPL-PX40 WITH MOUNT (73-366), LCD-104, OPT3 AND OPT1.
- * CTB ROD LENGTH IS 9.500".
- * OPT3 SKINS ARE REMOVED IN THESE DRAWING VIEWS.



DETAIL A
SCALE 1 : 3

		DISPLAY DEVICES, INC 5880 SHERIDAN BLVD ARVADA, CO 80003				
		TITLE LCD - OPT3 STD - OPT1 LIPLESS - W/SONY VPL-PX40				
THE INFORMATION CONTAINED IN THIS DRAWING IS THE PROPERTY OF DISPLAY DEVICES, INC. ANY REPRODUCTION IN PART OR WHOLE WITHOUT THE WRITTEN PERMISSION OF DISPLAY DEVICES, INC IS PROHIBITED	UNLESS OTHERWISE SPECIFIED DIMENSIONS ARE IN INCHES. TOLERANCES: .XX = ± .02 .XXX = ± .010 .XXXX = ± .0050 ANGLE = ± 0.5	DRAWN BAR	DATE 3/23/2004	SIZE B	DRAWING NO. 314-020	REV A
MATERIAL NONE		FINISH NONE		SCALE NONE	FILE NAME 314-020.SLDDRW	SHEET 1 OF 2