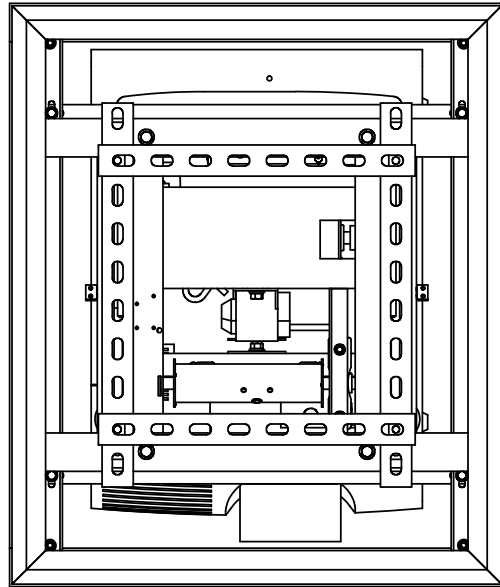
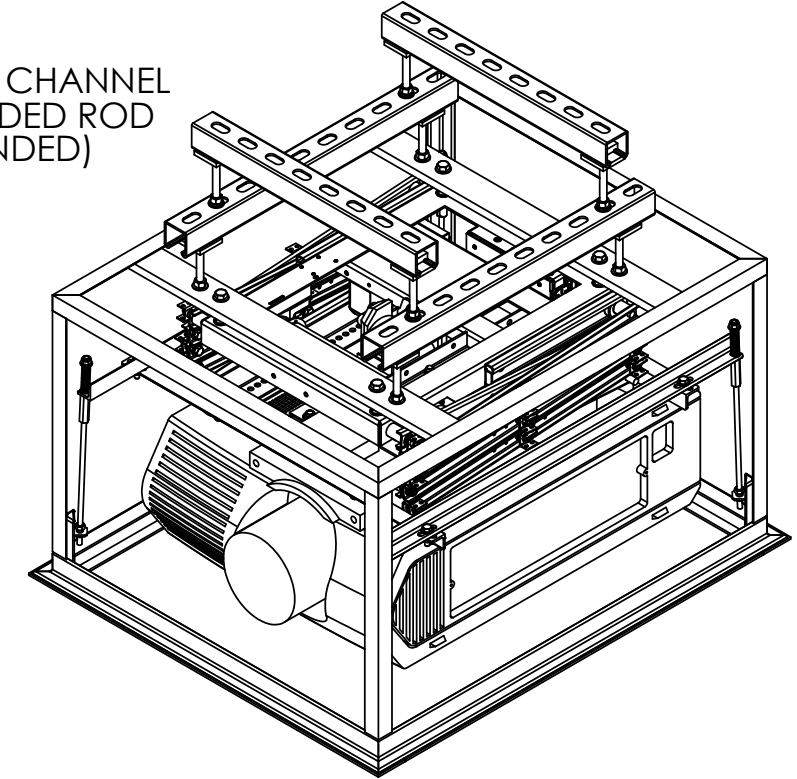


DRAWING REVISION BLOCK						
REV	ER	DESCRIPTION	DRAWN	CHECKED	APPROVED	DATE



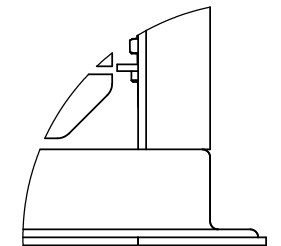
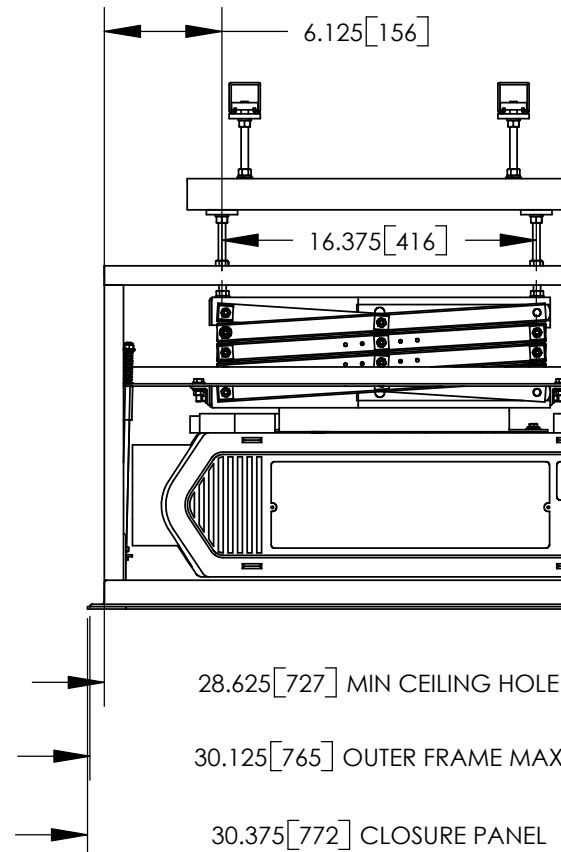
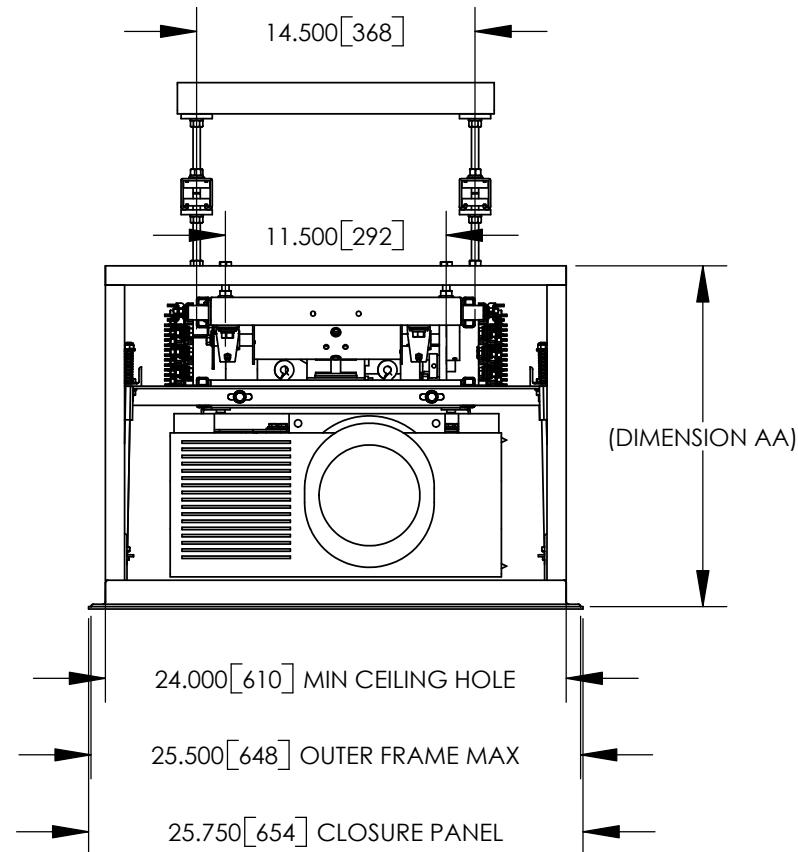
LCD SIZE	DIMENSION AA	
	INCHES	mm
LCD-104	17.750	451
LCD-105	18.750	476
LCD-106	19.750	502
LCD-107	20.750	527

UNISTRUT P1000 T CHANNEL  
AND 3/8" THREADED ROD  
(RECOMMENDED)



NOTES:

- \* UNITS = INCHES [mm].
- \* DIMENSION AA IS REQUIRED SPACE ABOVE CEILING.
- \* COMPONENTS SHOWN ARE THE (PROJECTOR NAME HERE) WITH MOUNT (MNT PART# HERE), LCD-104, OPT4 AND OPT1.
- \* CTB ROD LENGTH IS 8.000".



DETAIL A  
SCALE 1 : 3

		<b>DISPLAY DEVICES, INC</b> 5880 SHERIDAN BLVD ARVADA, CO 80003			
		TITLE <b>LCD - OPT4 CUSTOM SIZE - OPT1 LIPPED - W/SHARP XG-V10</b>			
THE INFORMATION CONTAINED IN THIS DRAWING IS THE PROPERTY OF DISPLAY DEVICES, INC. ANY REPRODUCTION IN PART OR WHOLE WITHOUT THE WRITTEN PERMISSION OF DISPLAY DEVICES, INC IS PROHIBITED		UNLESS OTHERWISE SPECIFIED DIMENSIONS ARE IN INCHES.  TOLERANCES: .XX = ± .02 .XXX = ± .010 .XXXX = ± .0050 ANGLE = ± 0.5		SIZE <b>B</b>	DRAWING NO. 314-084
DRAWN RLS	DATE 10/11/2004	SCALE NONE	FILE NAME 314-084.SLDDRW	REV A	SHEET 1 OF 2
CHECKED	DATE	MATERIAL NONE			
FINISH NONE	FINISH NONE				