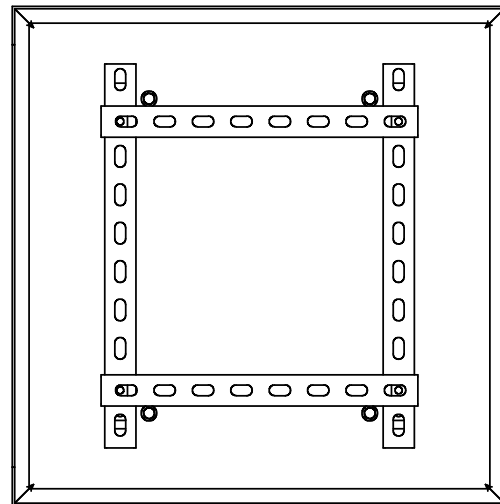
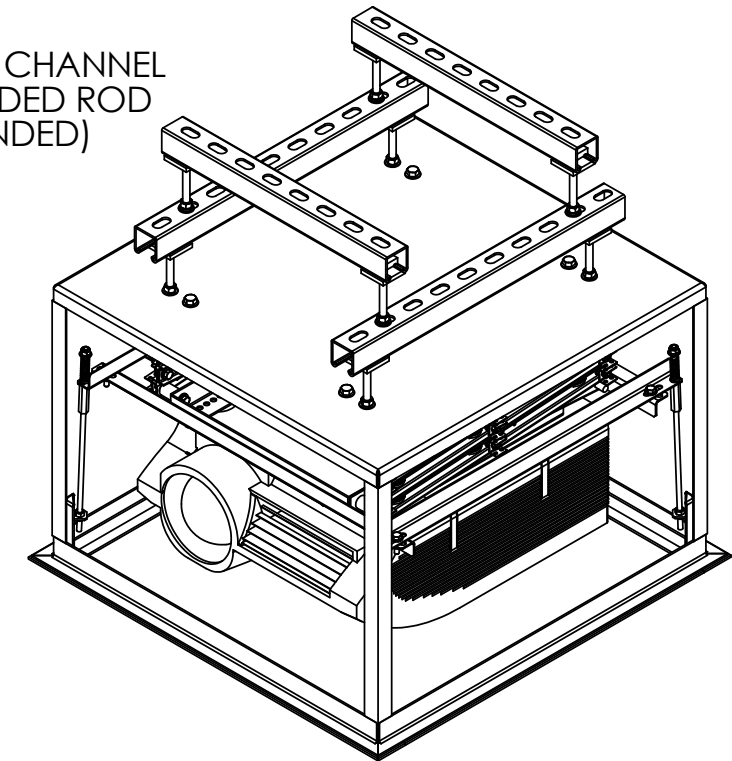


DRAWING REVISION BLOCK						
REV	ER	DESCRIPTION	DRAWN	CHECKED	APPROVED	DATE
A		RELEASE FOR PRODUCTION	RLS			



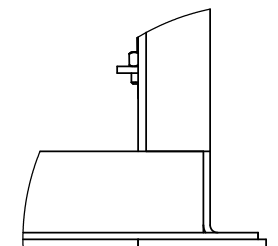
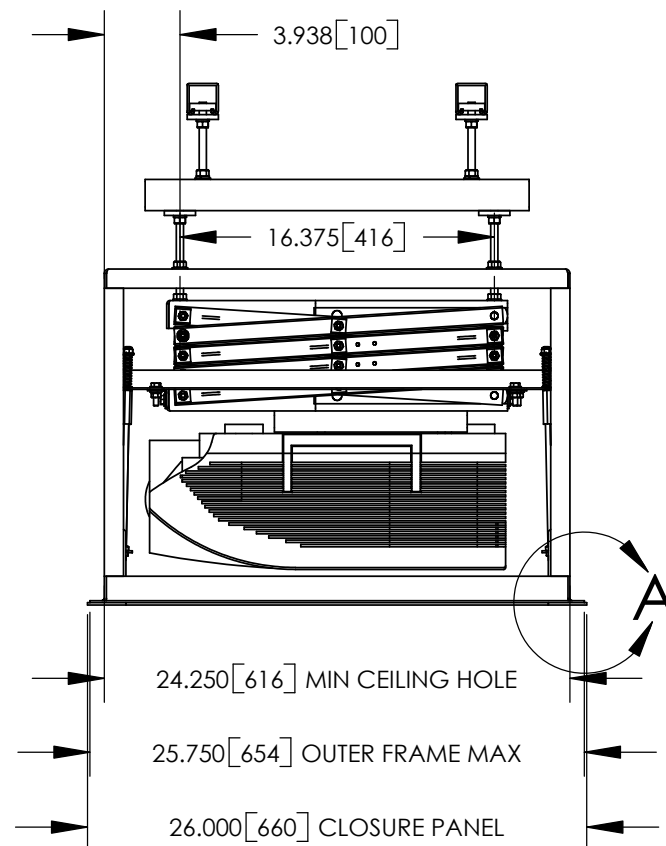
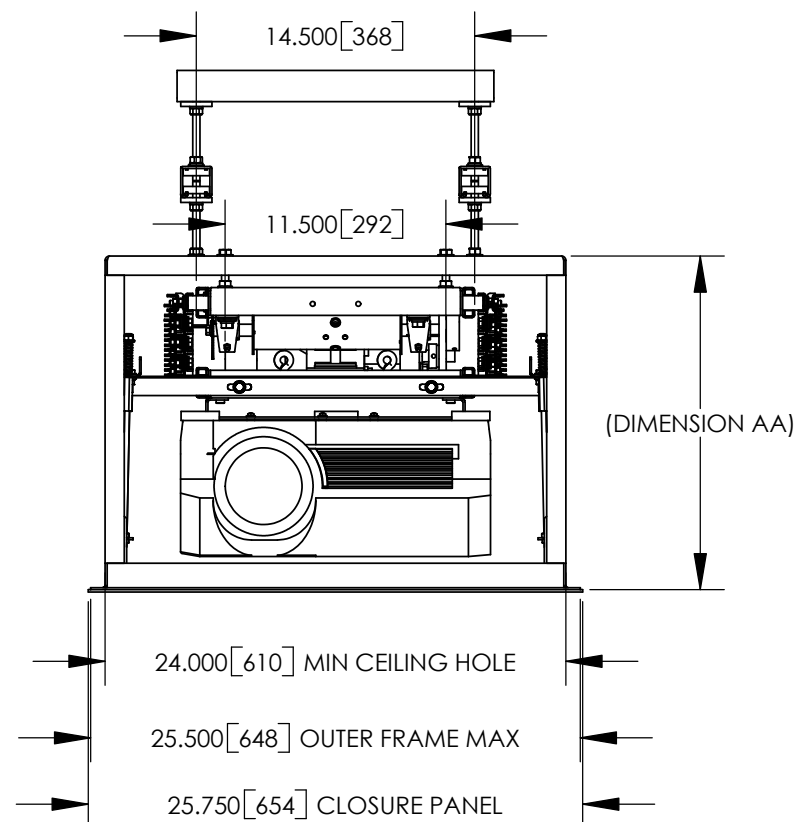
LCD SIZE	DIMENSION AA	
	INCHES	mm
LCD-104	17.375	441
LCD-105	18.375	467
LCD-106	19.375	492
LCD-107	20.375	518

UNISTRUT P1000 T CHANNEL
AND 3/8" THREADED ROD
(RECOMMENDED)



NOTES:

- * UNITS = INCHES [mm].
- * DIMENSION AA IS REQUIRED SPACE ABOVE CEILING.
- * COMPONENTS SHOWN ARE THE SHARP XG-PH50X WITH MOUNT 73-218, LCD-104, OPT3 AND OPT1.
- * CTB ROD LENGTH IS 11.625".
- * OPT3 SKINS ARE REMOVED IN THESE DRAWING VIEWS.



DETAIL A
SCALE 1:3

		DISPLAY DEVICES, INC 5880 SHERIDAN BLVD ARVADA, CO 80003	
THE INFORMATION CONTAINED IN THIS DRAWING IS THE PROPERTY OF DISPLAY DEVICES, INC. ANY REPRODUCTION IN PART OR WHOLE WITHOUT THE WRITTEN PERMISSION OF DISPLAY DEVICES, INC IS PROHIBITED.		UNLESS OTHERWISE SPECIFIED DIMENSIONS ARE IN INCHES. TOLERANCES: .XX = ± .02 .XXX = ± .010 .XXXX = ± .0050 ANGLE = ± 0.5	
TITLE LCD - OPT3 STD - OPT1 LIPPED - W/SHARP XG-PH50X		SIZE B	DRAWING NO. 314-119
DRAWN RLS	DATE 5/9/2005	REV A	SHEET 1 OF 2
MATERIAL NONE	FINISH NONE	SCALE NONE	FILE NAME 314-119.SLDDRW