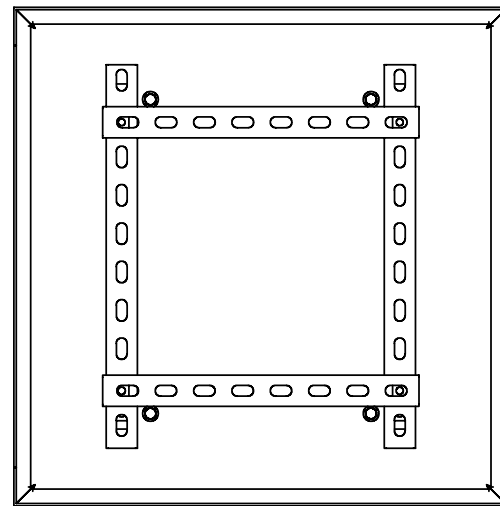
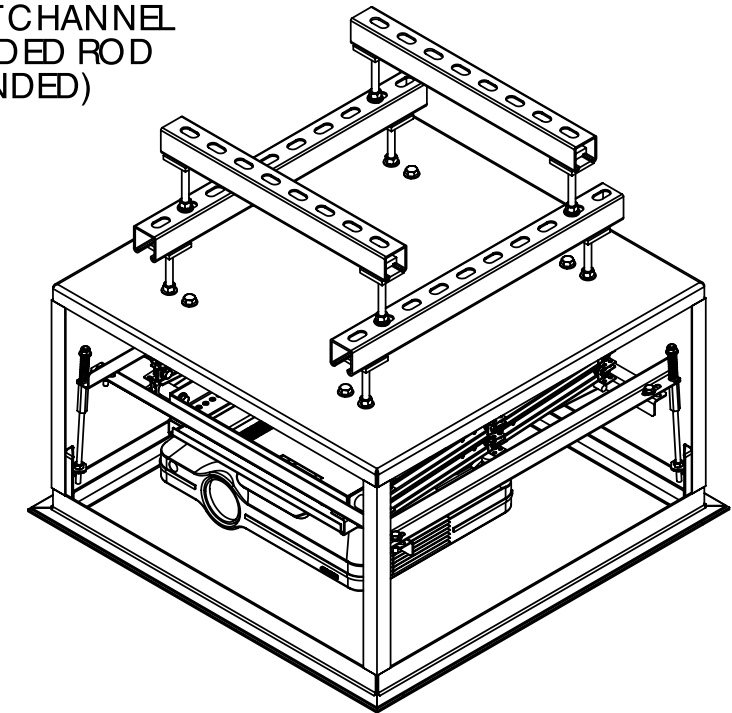


DRAWING REVISION BLOCK						
REV	ER	DESCRIPTION	DRAWN	CHECKED	APPROVED	DATE
A		RELEASE FOR PRODUCTION.	BAR			



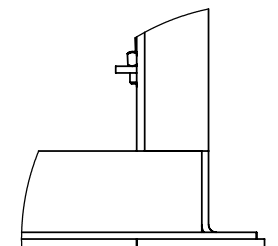
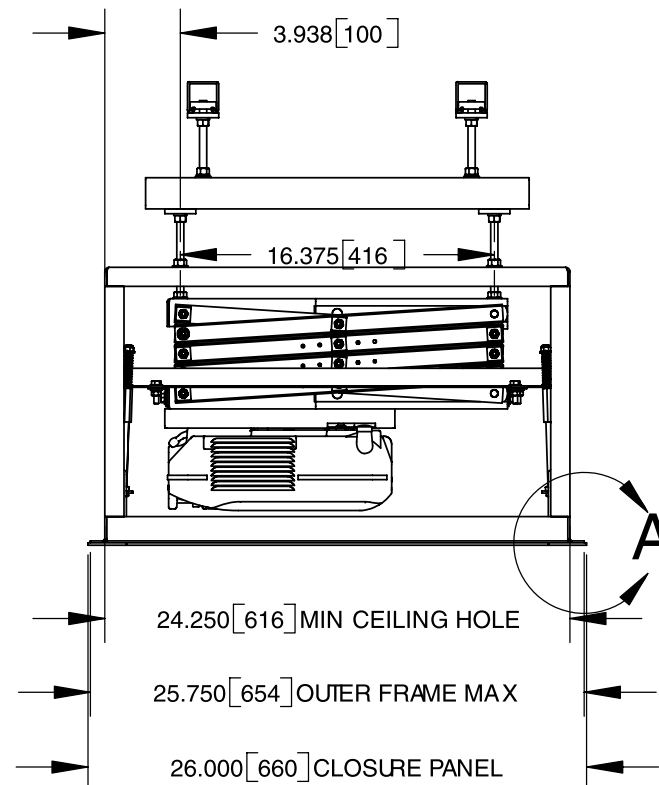
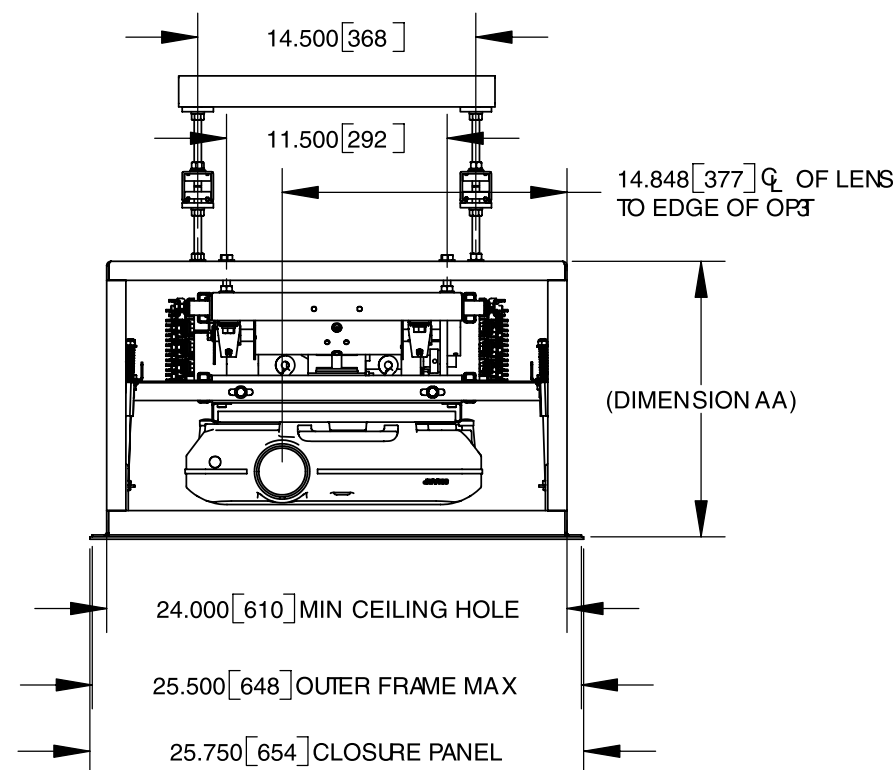
LCD SIZE	DIMENSION AA	
	INCHES	mm
LCD-104	14.375	365
LCD-105	15.375	391
LCD-106	16.375	416
LCD-107	17.375	441

UNISTRUT P1000 T CHANNEL  
AND 3/8" THREADED ROD  
(RECOMMENDED)



**NOTES**

- \* UNITS = INCHES [mm].
- \* DIMENSION AA IS REQUIRED SPACE ABOVE CEILING.
- \* COMPONENTS SHOWN ARE THE SANYO XG-C50X WITH MOUNT (73-211), LCD-104, OPT3 AND OPT1.
- \* CTB ROD LENGTH IS 8.625".
- \* OPT3 SKINS ARE REMOVED IN THESE DRAWING VIEWS.



DETAIL A  
SCALE 1 : 3

		<b>DISPLAY DEVICES, INC</b> 5880 SHERIDAN BLVD ARVADA, CO 80003				
		TITLE <b>LCD - OPT3 STD - OPT1 LIPPED - W/ Sharp XG-C50X</b>				
THE INFORMATION CONTAINED IN THIS DRAWING IS THE PROPERTY OF DISPLAY DEVICES, INC. ANY REPRODUCTION IN PART OR WHOLE WITHOUT THE WRITTEN PERMISSION OF DISPLAY DEVICES, INC IS PROHIBITED.	UNLESS OTHERWISE SPECIFIED DIMENSIONS ARE IN INCHES.  <b>TOLERANCES:</b> .XX = ± .02 .XXX = ± .010 .XXXX = ± .0050 ANGLE = ± 0.5	DRAWN <b>BAR</b>	DATE 3/18/2004	SIZE <b>B</b>	DRAWING NO. 314-019	REV <b>A</b>
CHECKED	DATE	MATERIAL NONE	FINISH NONE	SCALE NONE	FILENAME 314-019.SLDDRW	SHEET 1 OF 2