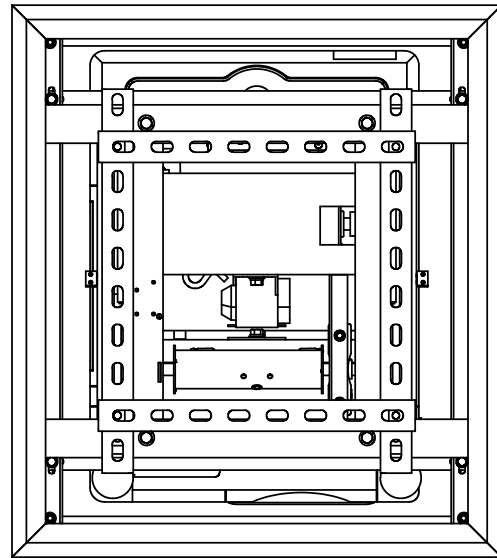
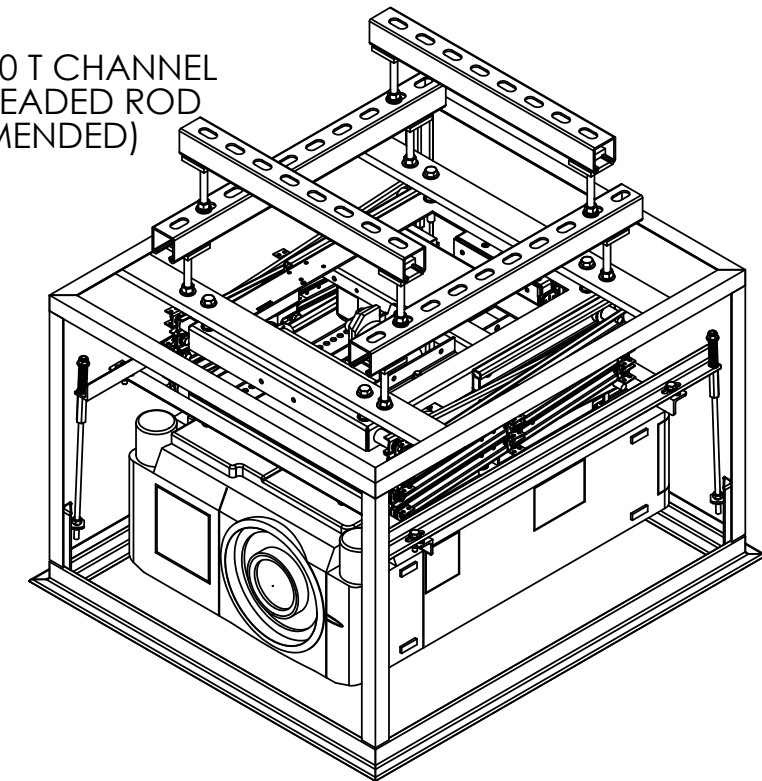


| DRAWING REVISION BLOCK | | | | | | |
|------------------------|----|-------------|-------|---------|----------|------|
| REV | ER | DESCRIPTION | DRAWN | CHECKED | APPROVED | DATE |
| | | | | | | |



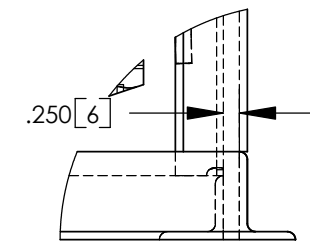
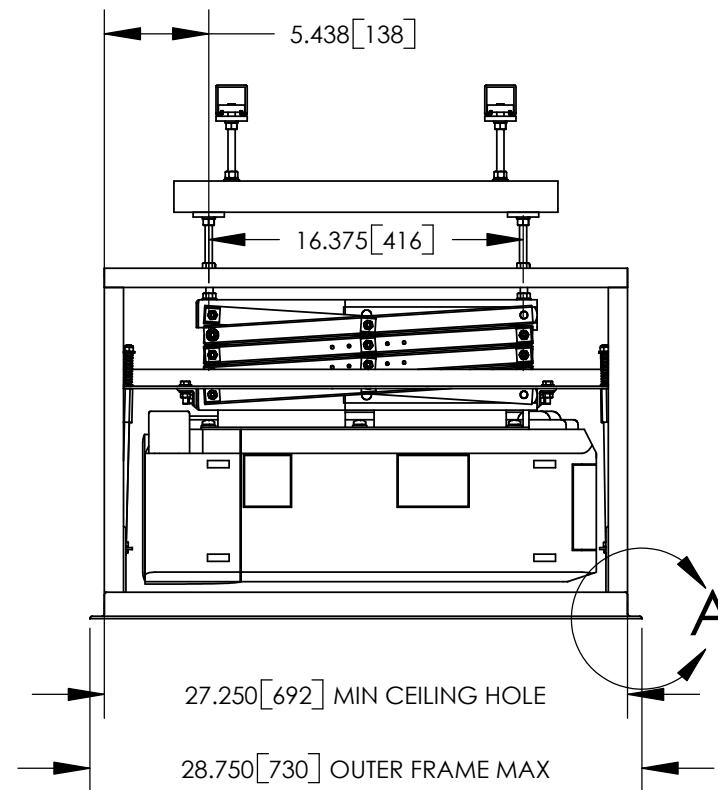
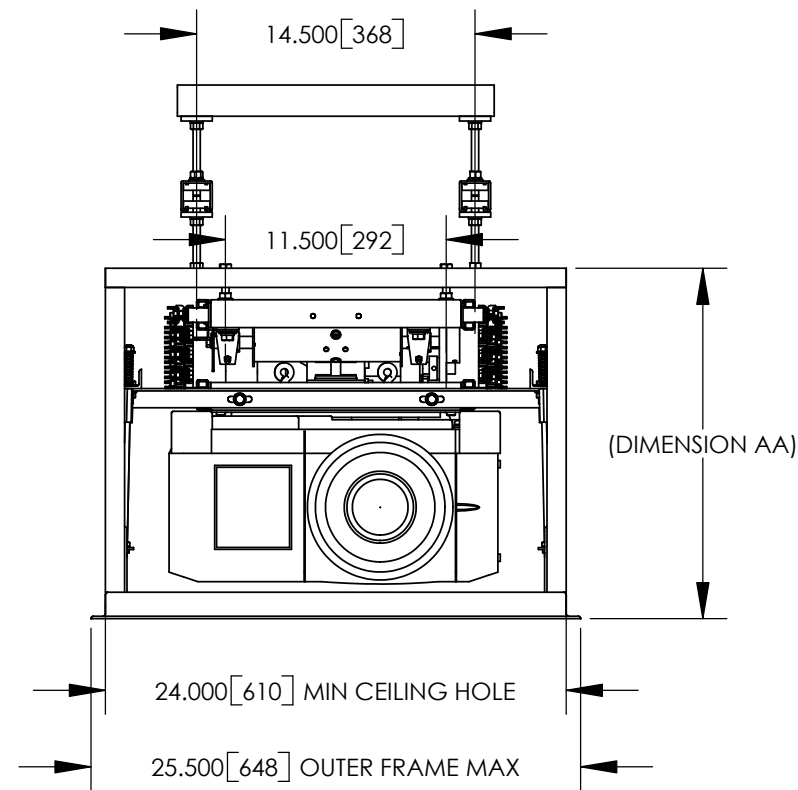
| LCD SIZE | DIMENSION AA | |
|----------|--------------|-----|
| | INCHES | mm |
| LCD-104 | 18.250 | 464 |
| LCD-105 | 19.250 | 489 |
| LCD-106 | 20.250 | 514 |
| LCD-107 | 21.250 | 540 |

UNISTRUT P1000 T CHANNEL
AND 3/8" THREADED ROD
(RECOMMENDED)



NOTES:

- * UNITS = INCHES [mm].
- * DIMENSION AA IS REQUIRED SPACE ABOVE CEILING.
- * COMPONENTS SHOWN ARE THE SANYO PCL-XF35 WITH MOUNT 73-127, LCD-104, OPT3 AND OPT1.
- * CTB ROD LENGTH IS 11.500".
- * OPT3 SKINS ARE REMOVED IN THESE DRAWING VIEWS.



DETAIL A
SCALE 1 : 3

| | | | | | |
|---|--|---|-----------------------------|------------------|------------------------|
| | | DISPLAY DEVICES, INC 5880 SHERIDAN BLVD ARVADA, CO 80003 | | | |
| | | TITLE LCD - OPT3 CUSTOM SIZE - OPT1 LIPLESS - W/SANYO PCL-XF35 | | | |
| THE INFORMATION CONTAINED IN THIS DRAWING IS THE PROPERTY OF DISPLAY DEVICES, INC. ANY REPRODUCTION IN PART OR WHOLE WITHOUT THE WRITTEN PERMISSION OF DISPLAY DEVICES, INC IS PROHIBITED | UNLESS OTHERWISE SPECIFIED DIMENSIONS ARE IN INCHES. TOLERANCES: .XX = ± .02 .XXX = ± .010 .XXXX = ± .0050 ANGLE = ± 0.5 | DRAWN RLS CHECKED DATE 6/8/2004 | DATE 6/8/2004 | SIZE B | DRAWING NO. 314-045 |
| MATERIAL NONE | FINISH NONE | SCALE NONE | FILE NAME 314-045.SLDDRW | REV A | SHEET 1 OF 2 |