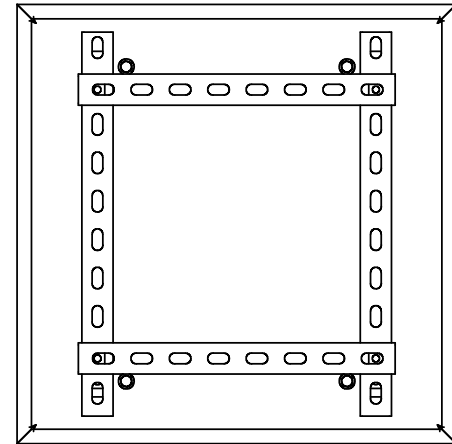
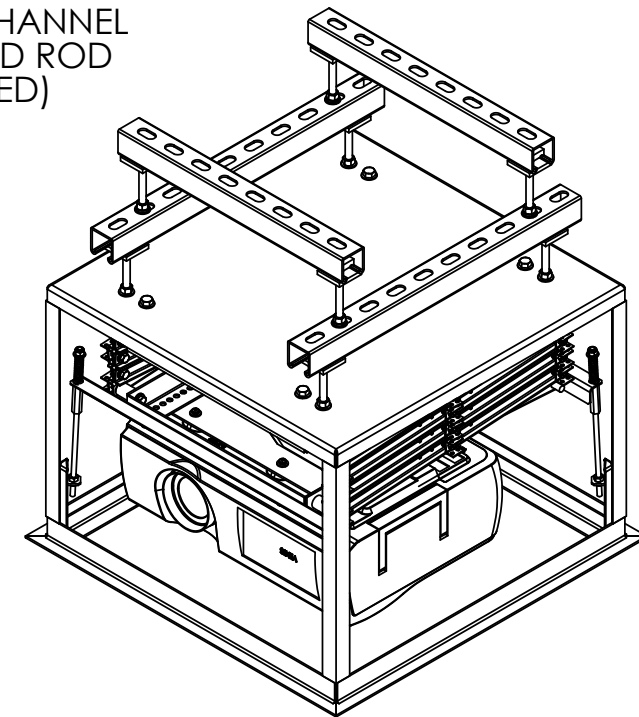


DRAWING REVISION BLOCK						
REV	ER	DESCRIPTION	DRAWN	CHECKED	APPROVED	DATE



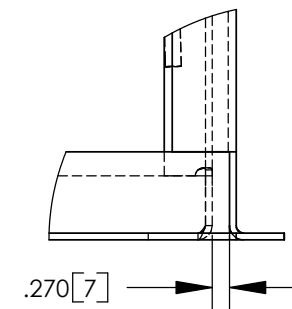
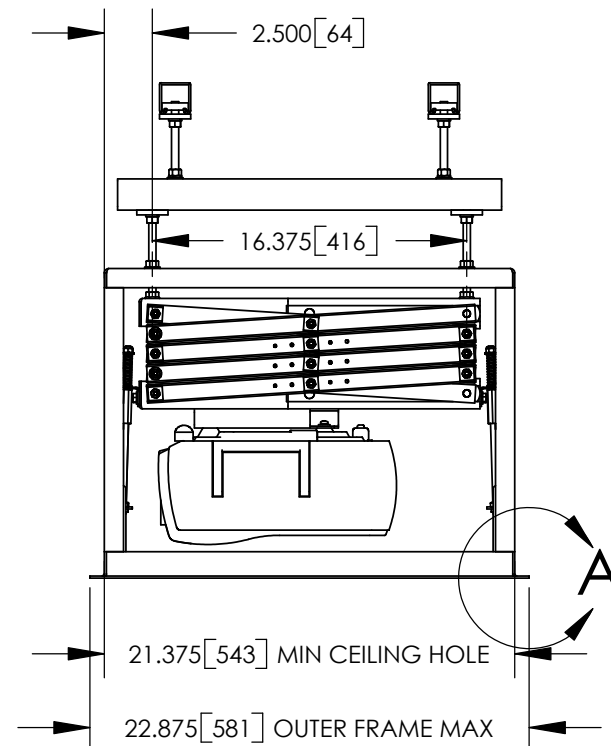
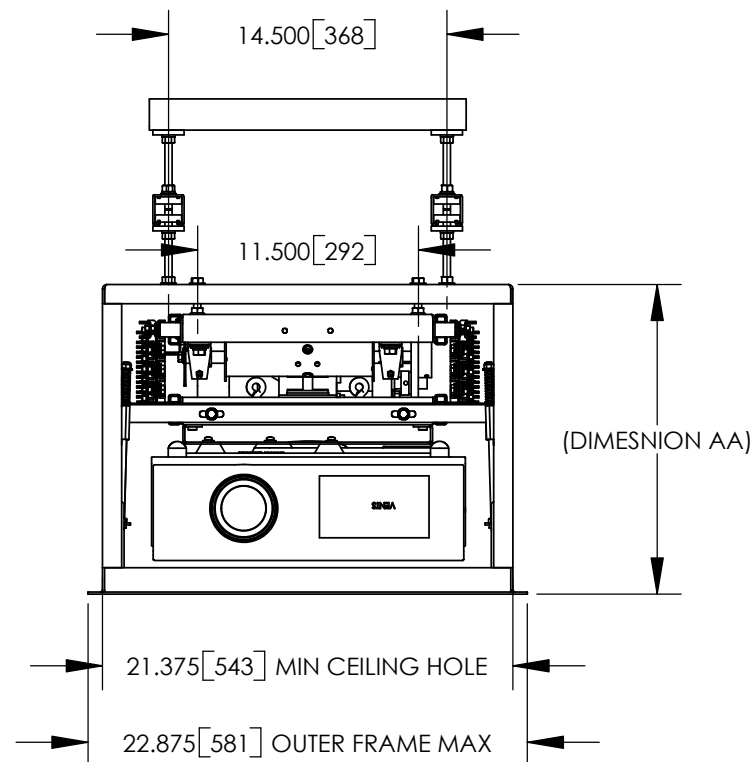
LCD SIZE	DIMENSION AA	
	INCHES	mm
LCD-104	16.125	410
LCD-105	17.125	435
LCD-106	18.125	460
LCD-107	19.125	486

UNISTRUT P1000 T CHANNEL  
AND 3/8" THREADED ROD  
(RECOMMENDED)



NOTES:

- \* UNITS = INCHES [mm].
- \* DIMENSION AA IS REQUIRED SPACE ABOVE CEILING.
- \* COMPONENTS SHOWN ARE THE SONY VPL-PX40 WITH MOUNT 73-366, LCD-104, OPT3 AND OPT1.
- \* CTB ROD LENGTH IS 9.375".
- \* OPT3 SKINS ARE REMOVED IN THESE DRAWING VIEWS.



DETAIL A  
SCALE 1 : 3

		<b>DISPLAY DEVICES, INC</b> 5880 SHERIDAN BLVD ARVADA, CO 80003				
		TITLE <b>LCD - OPT3 2X2 - OPT1 LIPLESS - W/SONY VPL-PX40</b>				
THE INFORMATION CONTAINED IN THIS DRAWING IS THE PROPERTY OF DISPLAY DEVICES, INC. ANY REPRODUCTION IN PART OR WHOLE WITHOUT THE WRITTEN PERMISSION OF DISPLAY DEVICES, INC IS PROHIBITED	UNLESS OTHERWISE SPECIFIED DIMENSIONS ARE IN INCHES.  TOLERANCES: .XX = ± .02 .XXX = ± .010 .XXXX = ± .0050 ANGLE = ± 0.5	DRAWN RLS DATE 6/2/2004	DATE 6/2/2004	SIZE <b>B</b>	DRAWING NO. 314-043	REV A
MATERIAL NONE		FINISH NONE		SCALE NONE	FILE NAME 314-043.SLDDRW	SHEET 1 OF 2