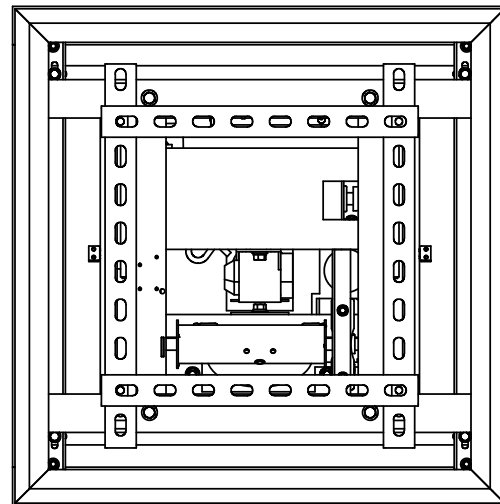
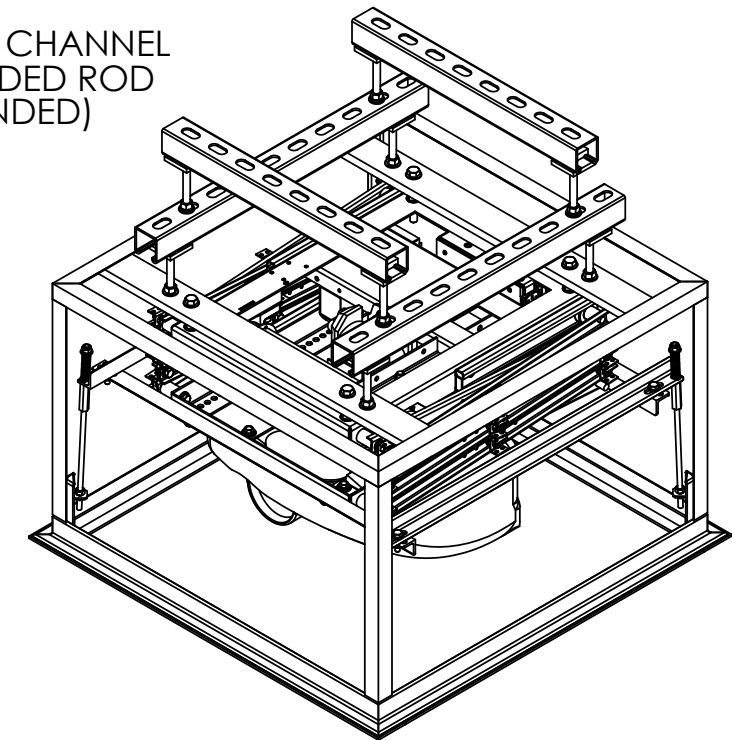


| DRAWING REVISION BLOCK |    |             |       |         |          |      |
|------------------------|----|-------------|-------|---------|----------|------|
| REV                    | ER | DESCRIPTION | DRAWN | CHECKED | APPROVED | DATE |
|                        |    |             |       |         |          |      |



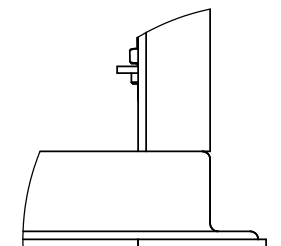
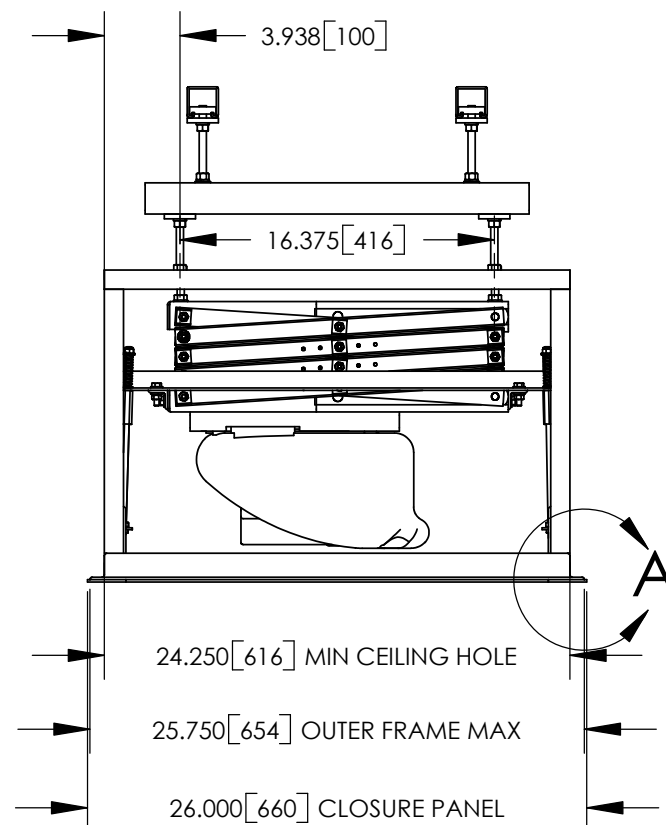
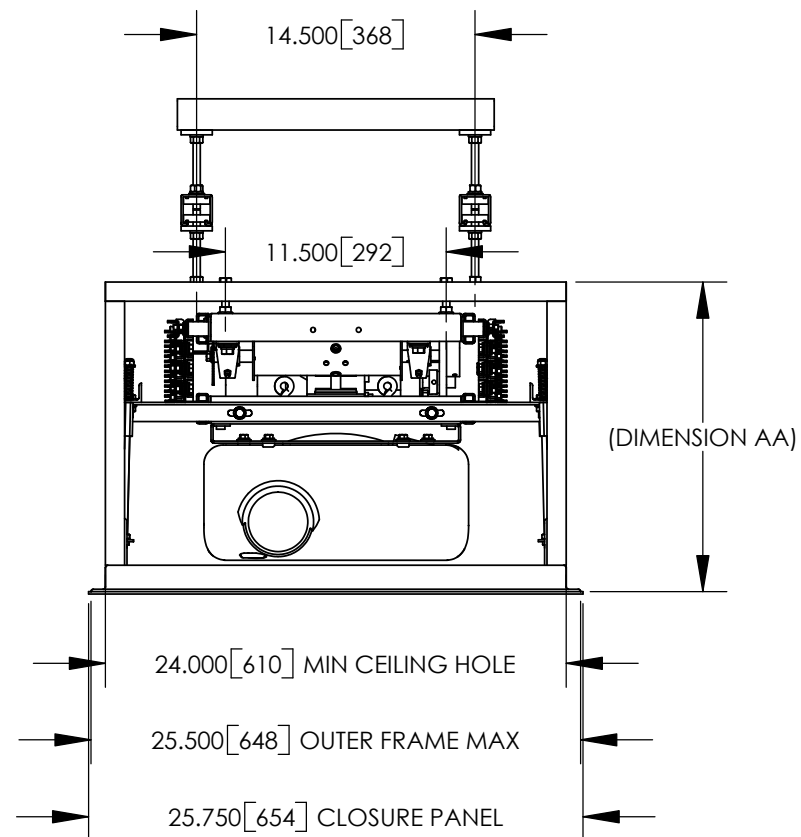
| LCD SIZE | DIMENSION AA |     |
|----------|--------------|-----|
|          | INCHES       | mm  |
| LCD-104  | 16.125       | 410 |
| LCD-105  | 17.125       | 435 |
| LCD-106  | 18.125       | 460 |
| LCD-107  | 19.125       | 486 |

UNISTRUT P1000 T CHANNEL  
AND 3/8" THREADED ROD  
(RECOMMENDED)



NOTES:

- \* UNITS = INCHES [mm].
- \* DIMENSION AA IS REQUIRED SPACE ABOVE CEILING.
- \* COMPONENTS SHOWN ARE THE SELCO SIM 2 WITH MOUNT 73-060, LCD-104, OPT3 AND OPT1.
- \* CTB ROD LENGTH IS 10.375".
- \* OPT3 SKINS ARE REMOVED IN THESE DRAWING VIEWS.



DETAIL A  
SCALE 1 : 3

|   |   |   |                   |                  |                             |              |
|---|---|---|-------------------|------------------|-----------------------------|--------------|
|   |   | <b>DISPLAY DEVICES, INC</b><br>5880 SHERIDAN BLVD<br>ARVADA, CO 80003 |                   |                  |                             |              |
|   |   | TITLE<br><b>LCD - OPT3 CUSTOM SIZE - OPT1 LIPPED - W/SELCO SIM 2</b>  |                   |                  |                             |              |
| THE INFORMATION CONTAINED IN THIS DRAWING IS THE PROPERTY OF DISPLAY DEVICES, INC. ANY REPRODUCTION IN PART OR WHOLE WITHOUT THE WRITTEN PERMISSION OF DISPLAY DEVICES, INC IS PROHIBITED | UNLESS OTHERWISE SPECIFIED DIMENSIONS ARE IN INCHES.<br><br>TOLERANCES:<br>.XX = ± .02<br>.XXX = ± .010<br>.XXXX = ± .0050<br>ANGLE = ± 0.5 | DRAWN<br>RLS  | DATE<br>9/28/2004 | SIZE<br><b>B</b> | DRAWING NO.<br>314-080      | REV<br>A     |
| MATERIAL<br>NONE  |   | FINISH<br>NONE  |                   | SCALE<br>NONE    | FILE NAME<br>314-080.SLDDRW | SHEET 1 OF 2 |