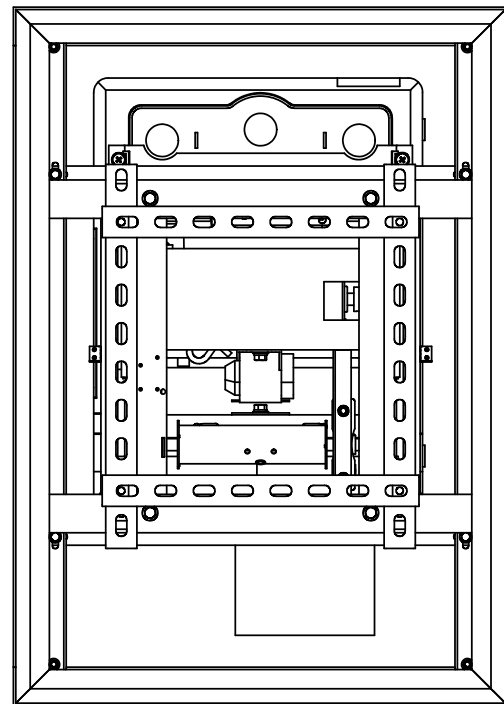
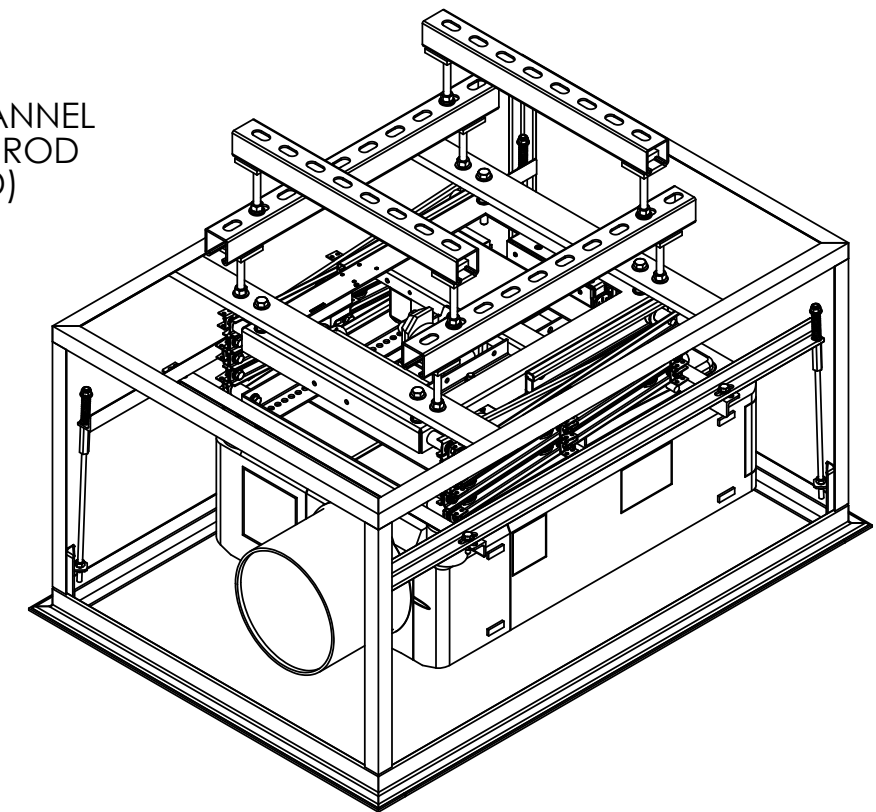


DRAWING REVISION BLOCK						
REV	ER	DESCRIPTION	DRAWN	CHECKED	APPROVED	DATE



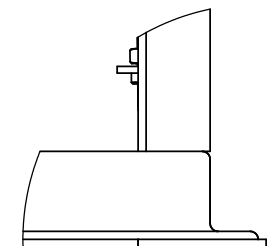
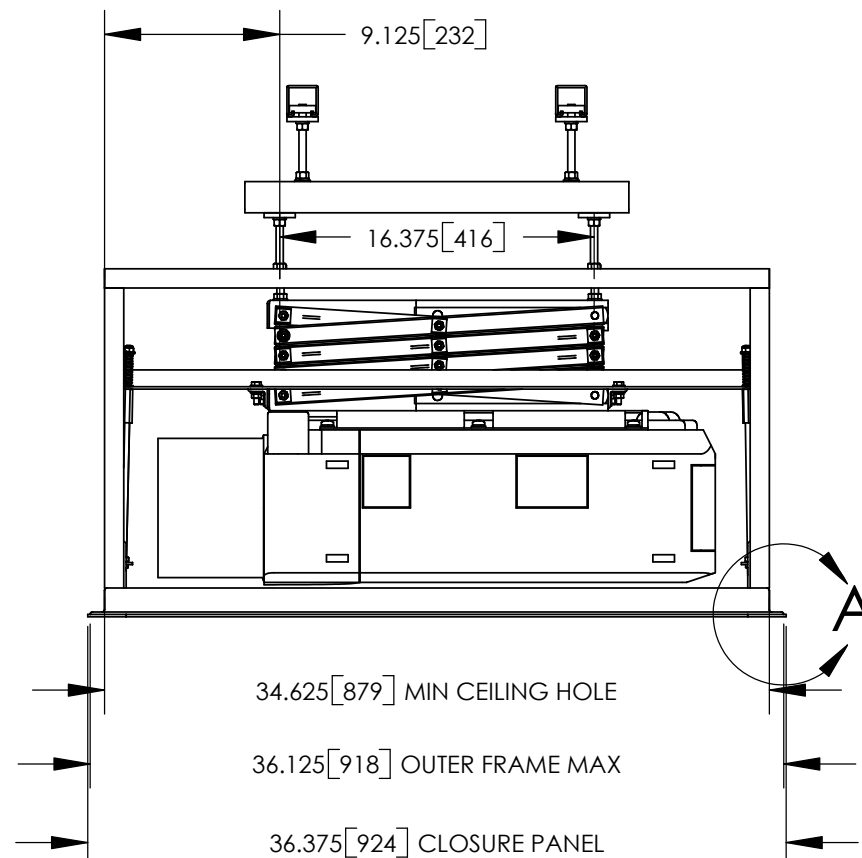
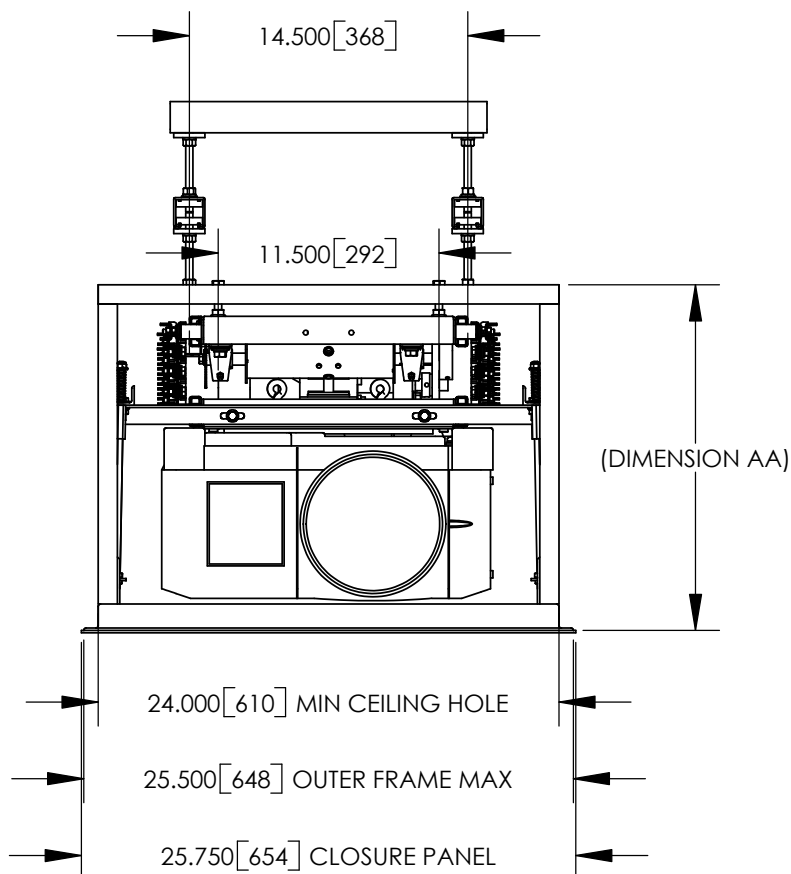
LCD SIZE	DIMENSION AA	
	INCHES	mm
LCD-104	18.000	457
LCD-105	19.000	483
LCD-106	20.000	508
LCD-107	21.000	533

UNISTRUT P1000 T CHANNEL
AND 3/8" THREADED ROD
(RECOMMENDED)



NOTES:

- * UNITS = INCHES [mm].
- * DIMENSION AA IS REQUIRED SPACE ABOVE CEILING.
- * COMPONENTS SHOWN ARE THE SANYO PCL-XF30/35 WITH MOUNT 73-127, LCD-104, OPT3 AND OPT1.
- * CTB ROD LENGTH IS 12.250".
- * OPT3 SKINS ARE REMOVED IN THESE DRAWING VIEWS.



DETAIL A
SCALE 1 : 3

		DISPLAY DEVICES, INC 5880 SHERIDAN BLVD ARVADA, CO 80003				
		TITLE LCD - OPT3 CUSTOM SIZE - OPT1 LIPPED - W/SANYO PCL-XF30/35				
THE INFORMATION CONTAINED IN THIS DRAWING IS THE PROPERTY OF DISPLAY DEVICES, INC. ANY REPRODUCTION IN PART OR WHOLE WITHOUT THE WRITTEN PERMISSION OF DISPLAY DEVICES, INC IS PROHIBITED	UNLESS OTHERWISE SPECIFIED DIMENSIONS ARE IN INCHES. TOLERANCES: .XX = ± .02 .XXX = ± .010 .XXXX = ± .0050 ANGLE = ± 0.5	DRAWN RLS DATE 10/6/2004	DATE DATE	SIZE B	DRAWING NO. 314-081	REV A
MATERIAL NONE		FINISH NONE		SCALE NONE	FILE NAME 314-081.SLDDRW	SHEET 1 OF 2