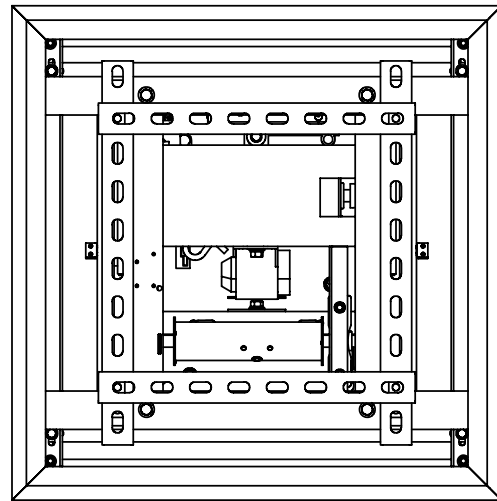
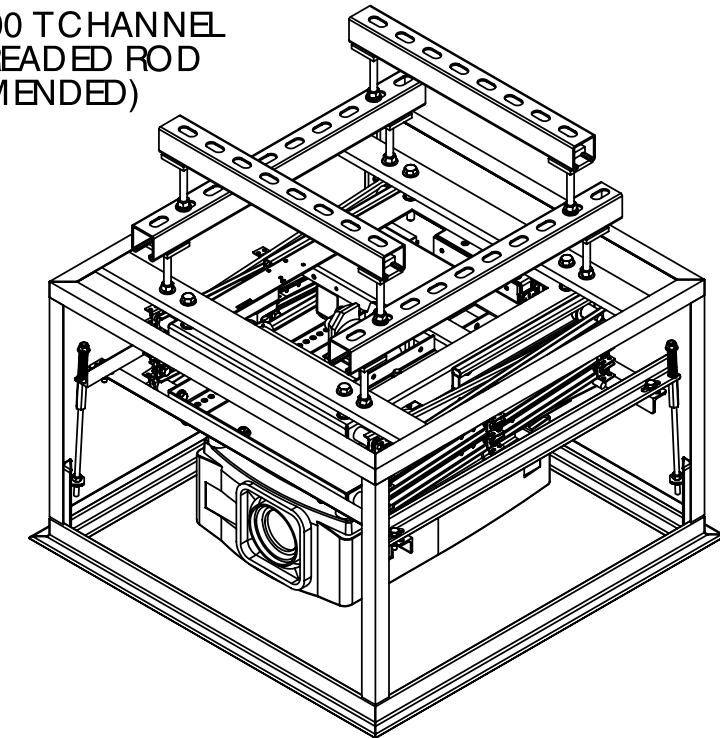


DRAWING REVISION BLOCK						
REV	ER	DESCRIPTION	DRAWN	CHECKED	APPROVED	DATE



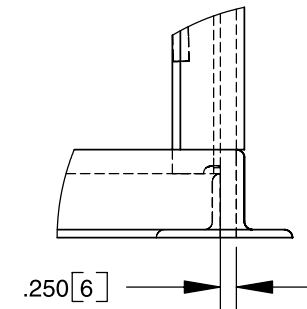
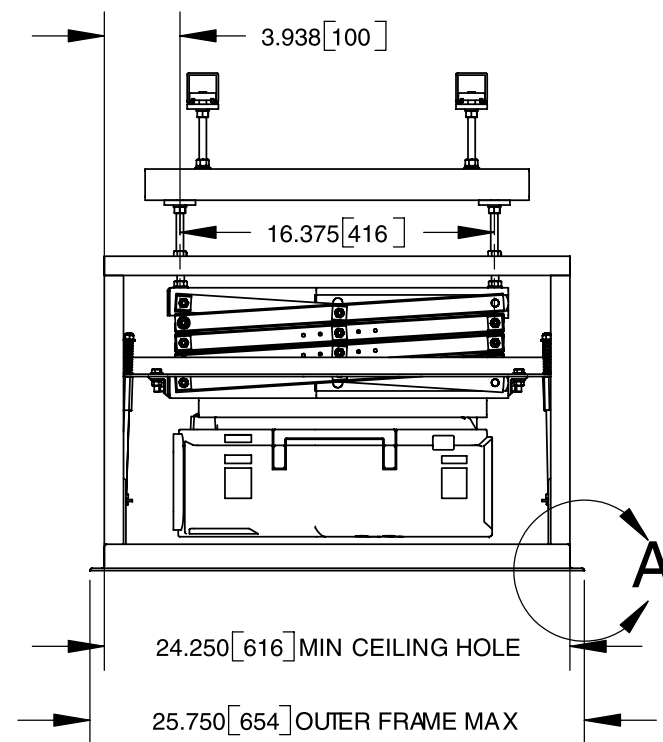
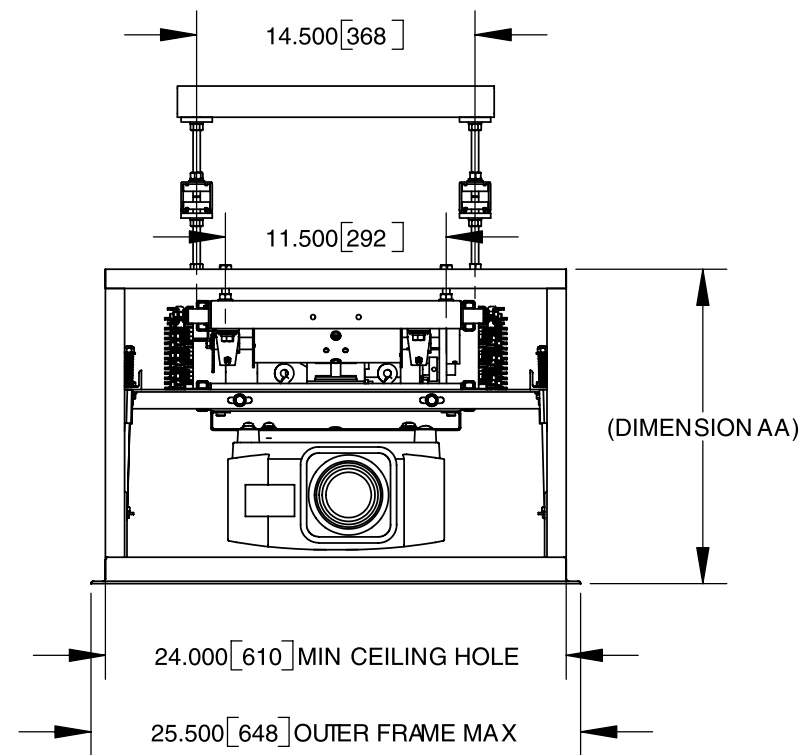
LCD SIZE	DIMENSION AA	
	INCHES	mm
LCD-104	16.375	416
LCD-105	17.375	441
LCD-106	18.375	467
LCD-107	19.375	492

UNISTRUT P1000 TCHANNEL  
AND 3/8" THREADED ROD  
(RECOMMENDED)



NOTES:

- \* UNITS = INCHES [mm].
- \* DIMENSION AA IS REQUIRED SPACE ABOVE CEILING.
- \* COMPONENTS SHOWN ARE THE EKI LC-XG210 WITH MOUNT 73-375, LCD-104, OPT4 AND OPT1.
- \* CTB ROD LENGTH IS 9.625".



DETAIL A  
SCALE 1 : 3

		<b>DISPLAY DEVICES, INC</b> 5880 SHERIDAN BLVD ARVADA, CO 80003				
		TITLE <b>LCD - OPT4 CUSTOM SIZE - OPT1          LIPLESS SANYO PLC-XT11-16</b>				
THE INFORMATION CONTAINED IN THIS DRAWING IS THE PROPERTY OF DISPLAY DEVICES, INC. ANY REPRODUCTION IN PART OR WHOLE WITHOUT THE WRITTEN PERMISSION OF DISPLAY DEVICES, INC IS PROHIBITED	UNLESS OTHERWISE SPECIFIED DIMENSIONS ARE IN INCHES.  <b>TOLERANCES:</b> .XX = ± .02 .XXX = ± .010 .XXXX = ± .0050 ANGLE = ± 0.5	DRAWN <b>RLS</b>	DATE 6/25/2004	SIZE <b>B</b>	DRAWING NO. 314-050	REV <b>A</b>
MATERIAL <b>NONE</b>	FINISH <b>NONE</b>	SCALE <b>NONE</b>	FILE NAME 314-050.SLDDRW	SHEET 1 OF 2		