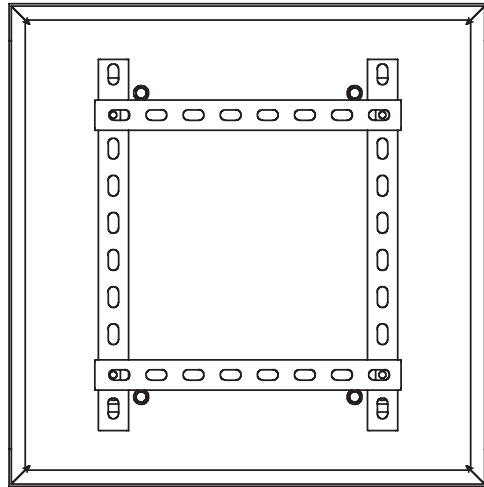
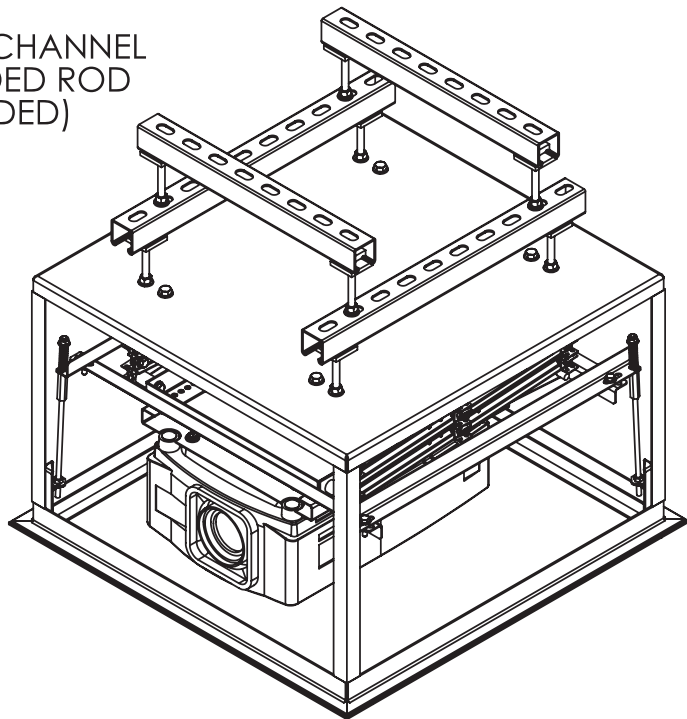


DRAWING REVISION BLOCK						
REV	ER	DESCRIPTION	DRAWN	CHECKED	APPROVED	DATE
A		RELEASED FOR PRODUCTION	JTW			4/7/2004

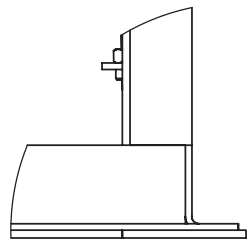
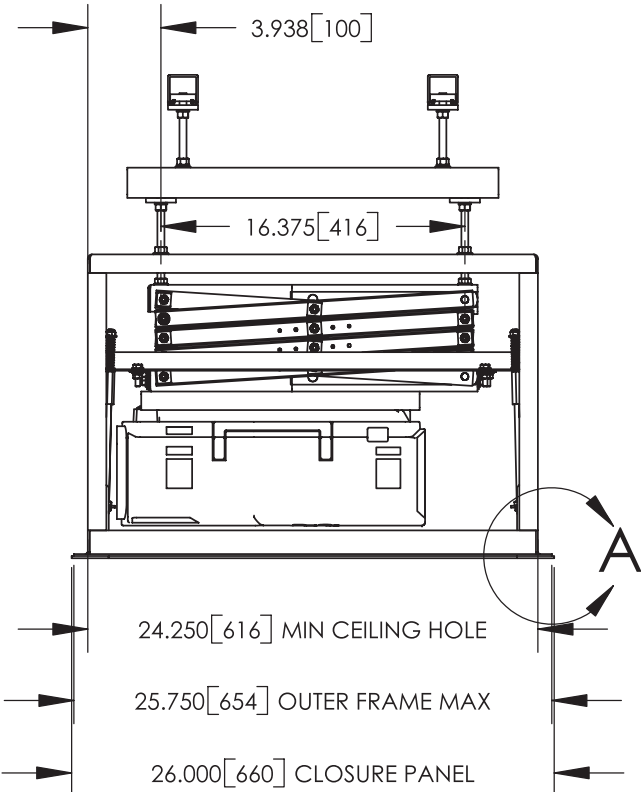
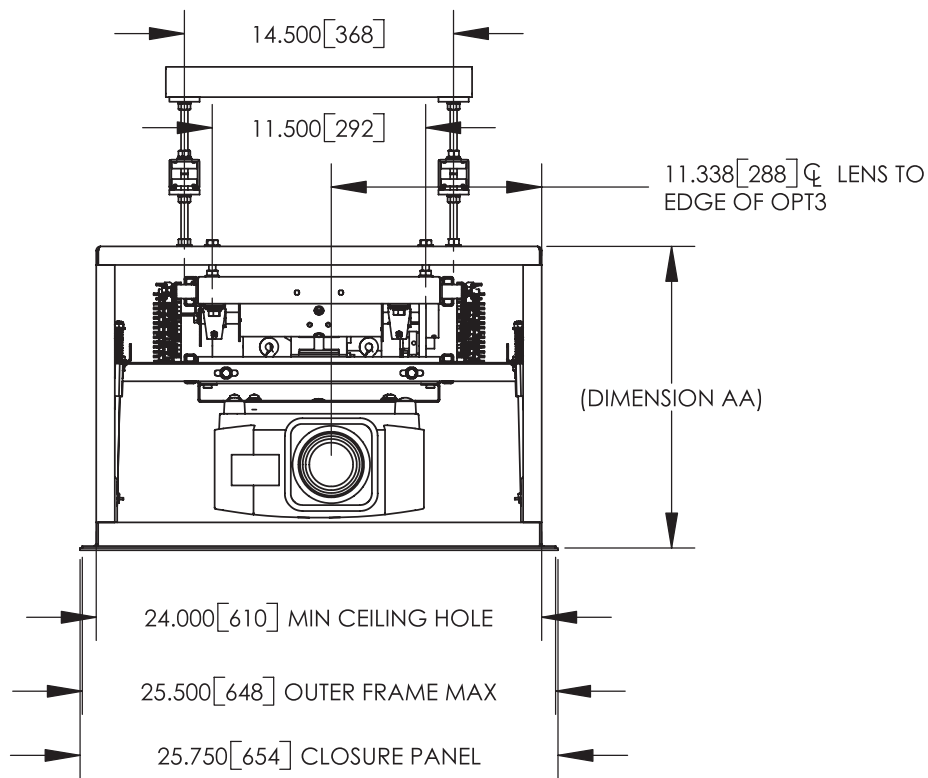


LCD SIZE	DIMENSION AA	
	INCHES	mm
LCD-104	16.250	413
LCD-105	17.250	438
LCD-106	18.250	464
LCD-107	19.250	489

UNISTRUT P1000 T CHANNEL AND 3/8" THREADED ROD (RECOMMENDED)



- NOTES:
- * UNITS = INCHES [mm].
 - * DIMENSION AA IS REQUIRED SPACE ABOVE CEILING.
 - * COMPONENTS SHOWN ARE THE EKI/CHRISTIE LX32 WITH MOUNT 73-375, LCD-104, OPT3 AND OPT1.
 - * CTB ROD LENGTH IS 7.625".
 - * OPT3 SKINS ARE REMOVED IN THESE DRAWING VIEWS.



DETAIL A
SCALE 1 : 3

DISPLAY DEVICES INC.		DISPLAY DEVICES, INC 5880 SHERIDAN BLVD ARVADA, CO 80003			
THE INFORMATION CONTAINED IN THIS DRAWING IS THE PROPERTY OF DISPLAY DEVICES, INC. ANY REPRODUCTION IN PART OR WHOLE WITHOUT THE WRITTEN PERMISSION OF DISPLAY DEVICES, INC IS PROHIBITED		UNLESS OTHERWISE SPECIFIED DIMENSIONS ARE IN INCHES. TOLERANCES: .XX = ± .02 .XXX = ± .010 .XXXX = ± .0050 ANGLE = ± 0.5		TITLE LCD - OPT3 STD - OPT1 LIPPED - SANYO PLC-XT10-16	
DRAWN	JTW	DATE	4/7/2004	SIZE	B
CHECKED		DATE		DRAWING NO.	314-027
MATERIAL	NONE		SCALE	NONE	REV
FINISH	NONE		FILE NAME	314-027.SLDDRW	A
				SHEET 1	OF 2