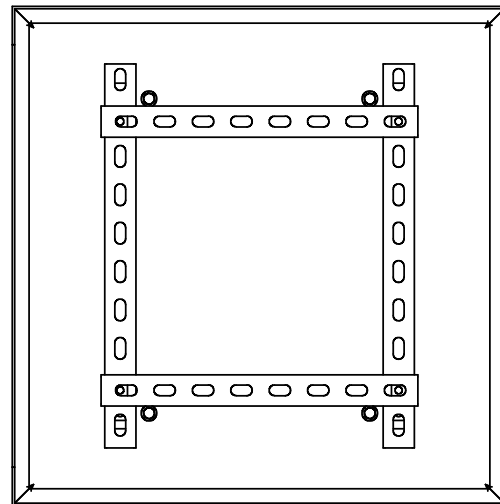
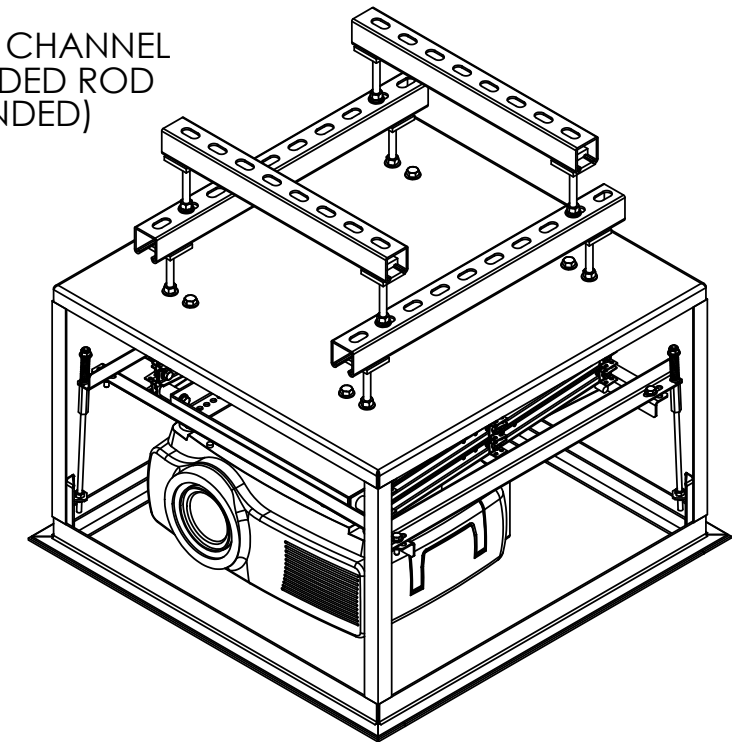


DRAWING REVISION BLOCK						
REV	ER	DESCRIPTION	DRAWN	CHECKED	APPROVED	DATE
A		RELEASE FOR PRODUCTION	RLS			3/30/2004



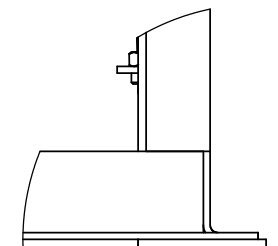
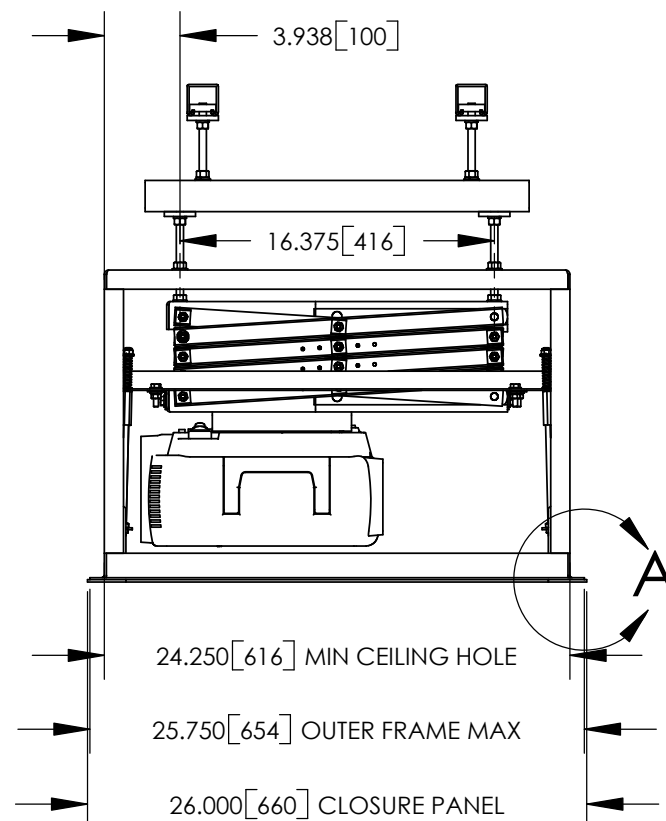
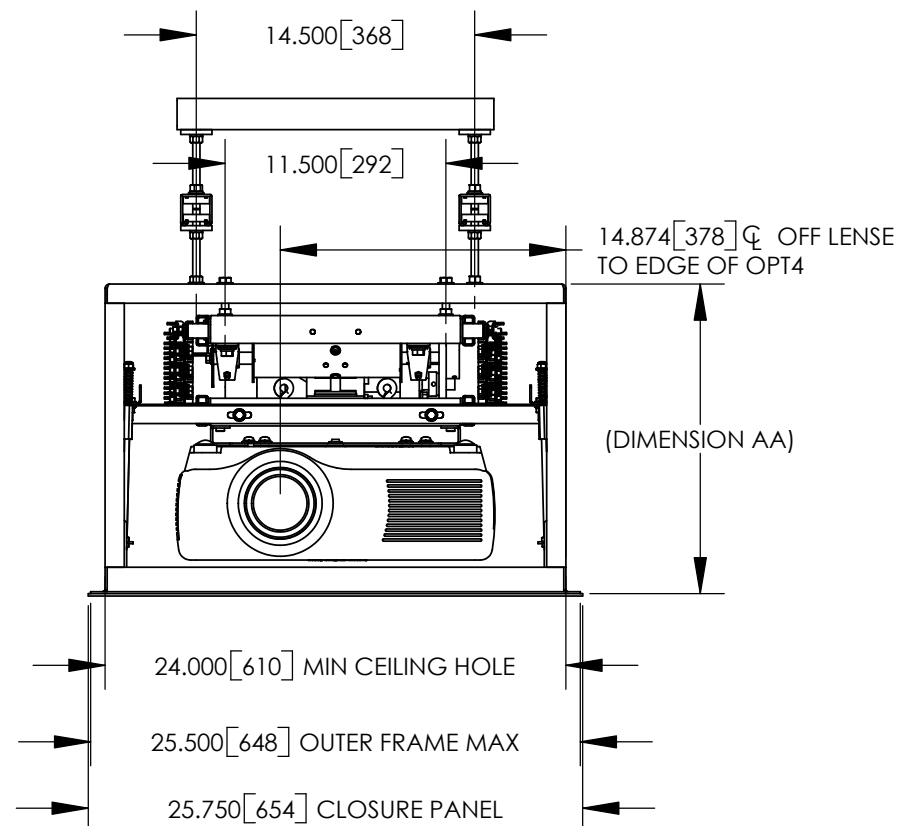
LCD SIZE	DIMENSION AA	
	INCHES	mm
LCD-104	16.125	410
LCD-105	17.125	435
LCD-106	18.125	460
LCD-107	19.125	486

UNISTRUT P1000 T CHANNEL
AND 3/8" THREADED ROD
(RECOMMENDED)



NOTES:

- * UNITS = INCHES [mm].
- * DIMENSION AA IS REQUIRED SPACE ABOVE CEILING.
- * COMPONENTS SHOWN ARE THE PROXIMA DP-8400 WITH MOUNT (73-265), LCD-104, OPT4 AND OPT1.
- * CTB ROD LENGTH IS 10.375".



DETAIL A
SCALE 1 : 3

		DISPLAY DEVICES, INC 5880 SHERIDAN BLVD ARVADA, CO 80003			
		TITLE LCD - OPT4 STD - OPT1 LIPPED - W/PROXIMA DP 8400			
THE INFORMATION CONTAINED IN THIS DRAWING IS THE PROPERTY OF DISPLAY DEVICES, INC. ANY REPRODUCTION IN PART OR WHOLE WITHOUT THE WRITTEN PERMISSION OF DISPLAY DEVICES, INC IS PROHIBITED	UNLESS OTHERWISE SPECIFIED DIMENSIONS ARE IN INCHES. TOLERANCES: .XX = ± .02 .XXX = ± .010 .XXXX = ± .0050 ANGLE = ± 0.5	DRAWN BAR	DATE 3/30/2004	SIZE B	DRAWING NO. 314-025
CHECKED	DATE	MATERIAL NONE	FINISH NONE	SCALE NONE	FILE NAME 314-025.SLDDRW
				REV A	SHEET 1 OF 2