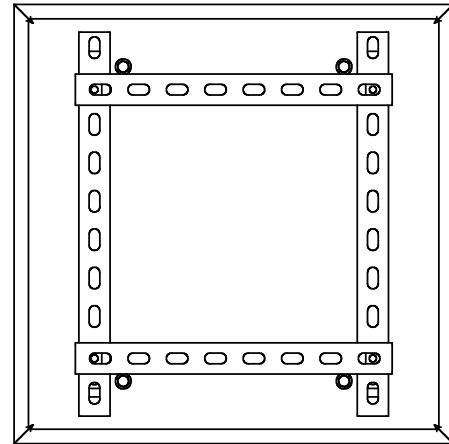


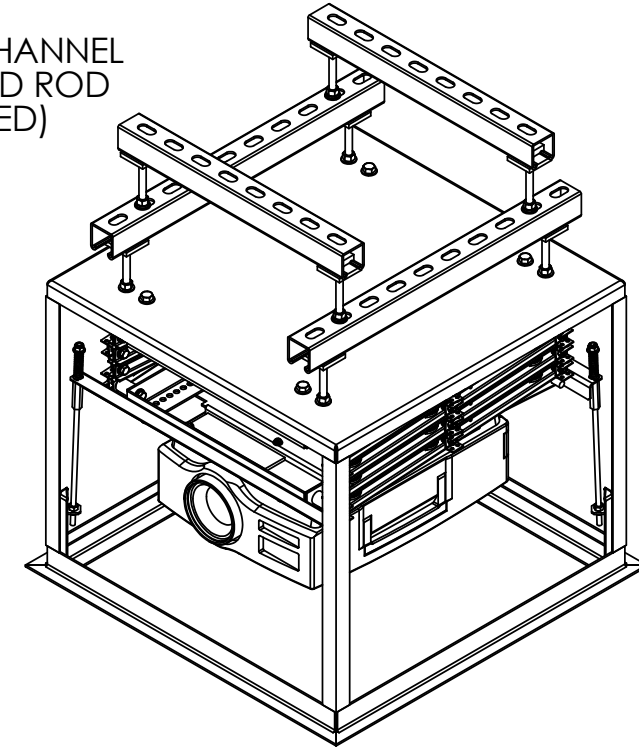
DRAWING REVISION BLOCK

REV	ER	DESCRIPTION	DRAWN	CHECKED	APPROVED	DATE



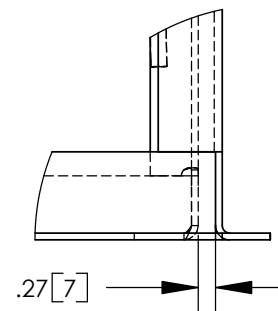
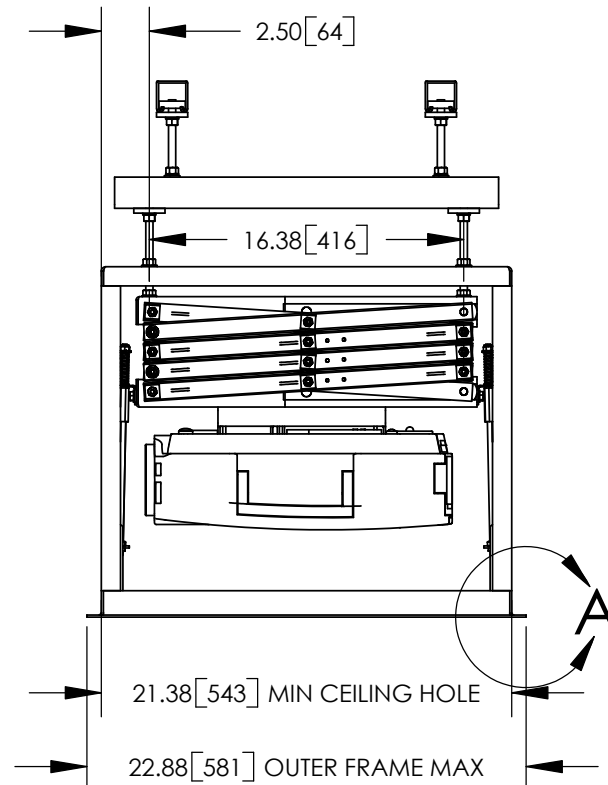
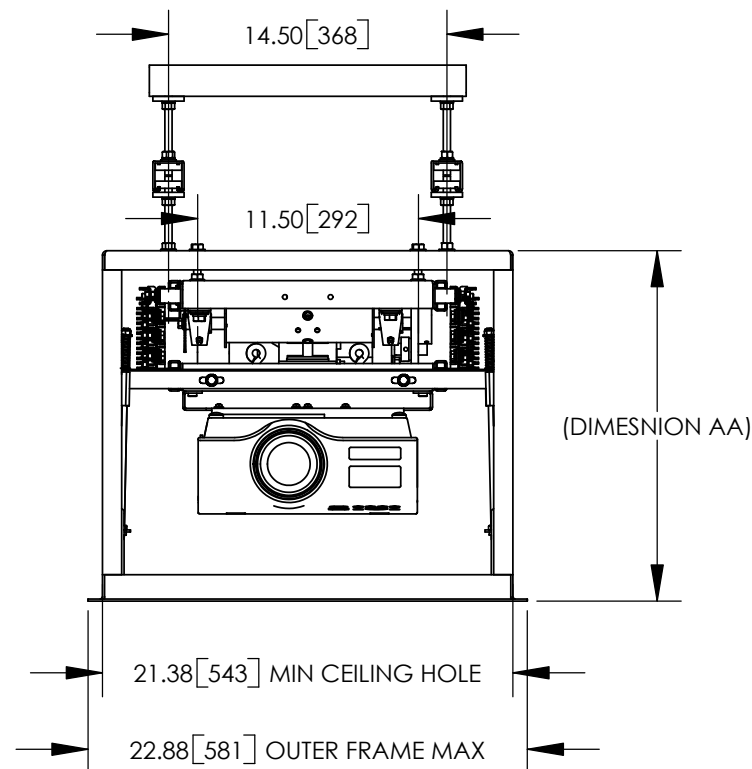
LCD SIZE	DIMENSION AA	
	INCHES	mm
LCD-104	18.250	464
LCD-105	19.250	489
LCD-106	20.250	514
LCD-107	21.250	540

UNISTRUT P1000 T CHANNEL AND 3/8" THREADED ROD (RECOMMENDED)



NOTES:

- * UNITS = INCHES [mm].
- * DIMENSION AA IS REQUIRED SPACE ABOVE CEILING.
- * COMPONENTS SHOWN ARE THE PANASONIC PT-L785. WITH MOUNT 73-406, LCD-104, OPT4 AND OPT1.
- * CTB ROD LENGTH IS 11.500".



DETAIL A
SCALE 1 : 3

DISPLAY DEVICES INC.		DISPLAY DEVICES, INC 5880 SHERIDAN BLVD ARVADA, CO 80003			
THE INFORMATION CONTAINED IN THIS DRAWING IS THE PROPERTY OF DISPLAY DEVICES, INC. ANY REPRODUCTION IN PART OR WHOLE WITHOUT THE WRITTEN PERMISSION OF DISPLAY DEVICES, INC IS PROHIBITED		UNLESS OTHERWISE SPECIFIED DIMENSIONS ARE IN INCHES. TOLERANCES: .XX = ± .02 .XXX = ± .010 .XXXX = ± .0050 ANGLE = ± 0.5		TITLE LCD - OPT4 2X2 - OPT1 LIPLISS - W/PANASONIC PT-L785	
DRAWN	RLS	DATE	12/1/2004	SIZE	DRAWING NO.
CHECKED		DATE		SCALE	314-094
MATERIAL		NONE		FILE NAME	314-094.SLDDRW
FINISH		NONE		REV	A
				SHEET 1 OF 2	