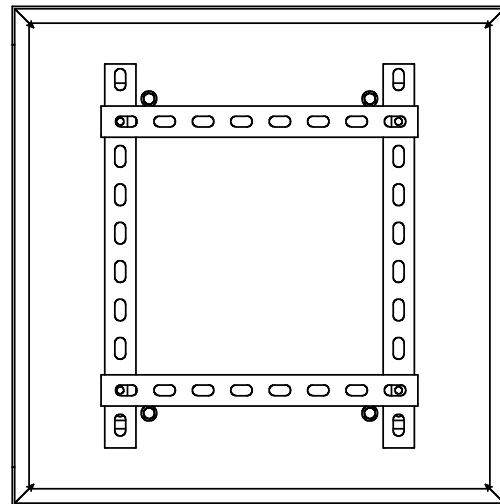
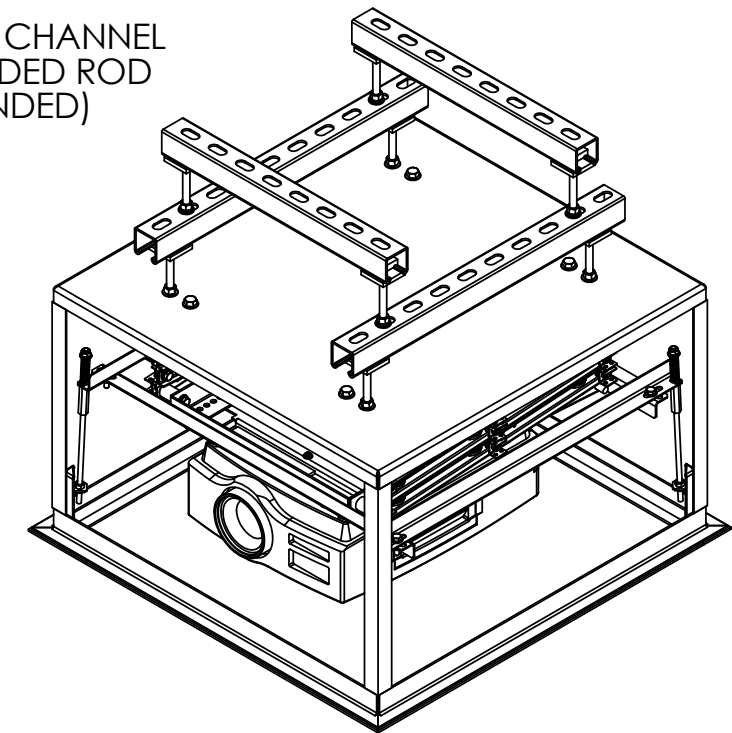


DRAWING REVISION BLOCK						
REV	ER	DESCRIPTION	DRAWN	CHECKED	APPROVED	DATE
A		RELEASE FOR PRODUCTION	RLS			



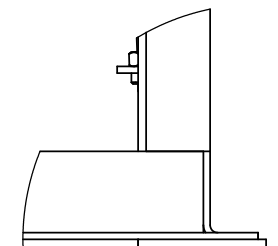
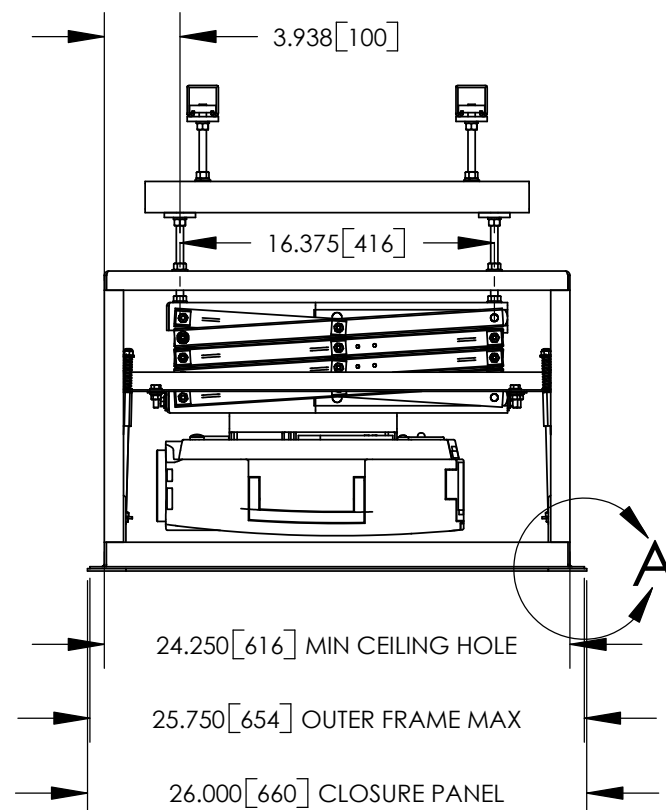
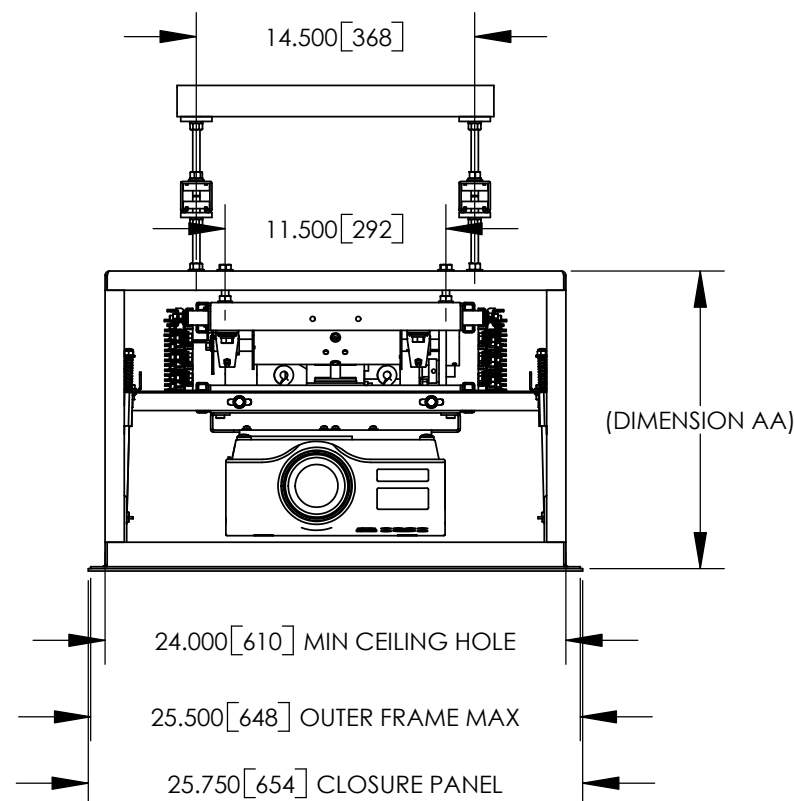
LCD SIZE	DIMENSION AA	
	INCHES	mm
LCD-104	15.500	394
LCD-105	16.500	419
LCD-106	17.500	445
LCD-107	18.500	470

UNISTRUT P1000 T CHANNEL
AND 3/8" THREADED ROD
(RECOMMENDED)



NOTES:

- * UNITS = INCHES [mm].
- * DIMENSION AA IS REQUIRED SPACE ABOVE CEILING.
- * COMPONENTS SHOWN ARE THE PANASONIC PT-L785U WITH MOUNT 73-406, LCD-104, OPT3 AND OPT1.
- * CTB ROD LENGTH IS 9.750".
- * OPT3 SKINS ARE REMOVED IN THESE DRAWING VIEWS.



DETAIL A
SCALE 1 : 3

		DISPLAY DEVICES, INC 5880 SHERIDAN BLVD ARVADA, CO 80003				
		TITLE LCD - OPT3 STD - OPT1 LIPPED - W/PANASONIC PT-L785U				
THE INFORMATION CONTAINED IN THIS DRAWING IS THE PROPERTY OF DISPLAY DEVICES, INC. ANY REPRODUCTION IN PART OR WHOLE WITHOUT THE WRITTEN PERMISSION OF DISPLAY DEVICES, INC IS PROHIBITED	UNLESS OTHERWISE SPECIFIED DIMENSIONS ARE IN INCHES. TOLERANCES: .XX = ± .02 .XXX = ± .010 .XXXX = ± .0050 ANGLE = ± 0.5	DRAWN RLS	DATE 5/6/2005	SIZE B	DRAWING NO. 314-118	REV A
MATERIAL NONE	FINISH NONE	SCALE NONE	FILE NAME 314-118.SLDDRW	SHEET 1 OF 2		