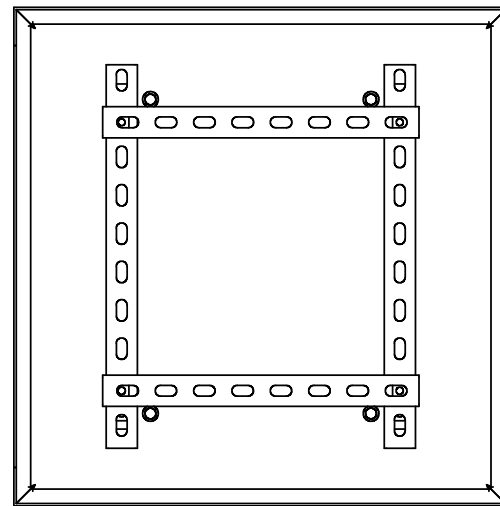
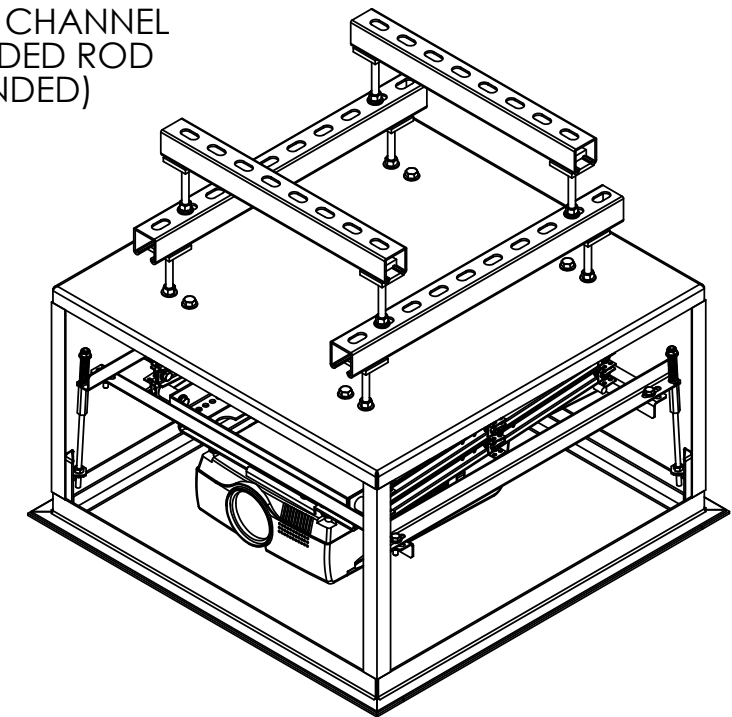


DRAWING REVISION BLOCK						
REV	ER	DESCRIPTION	DRAWN	CHECKED	APPROVED	DATE
A		RELEASE FOR PRODUCTION.	BAR			



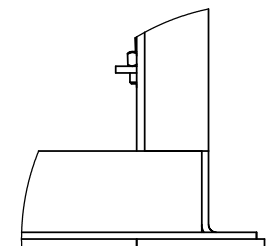
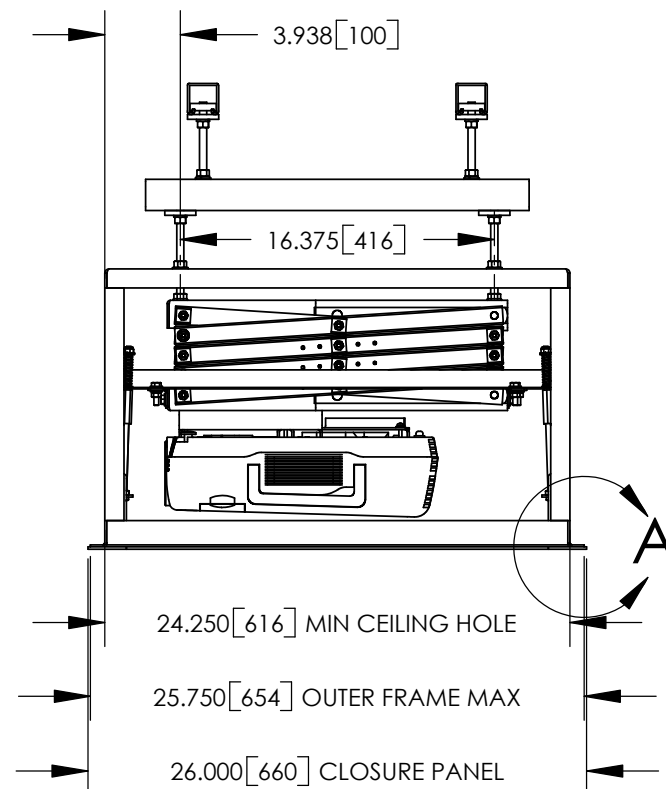
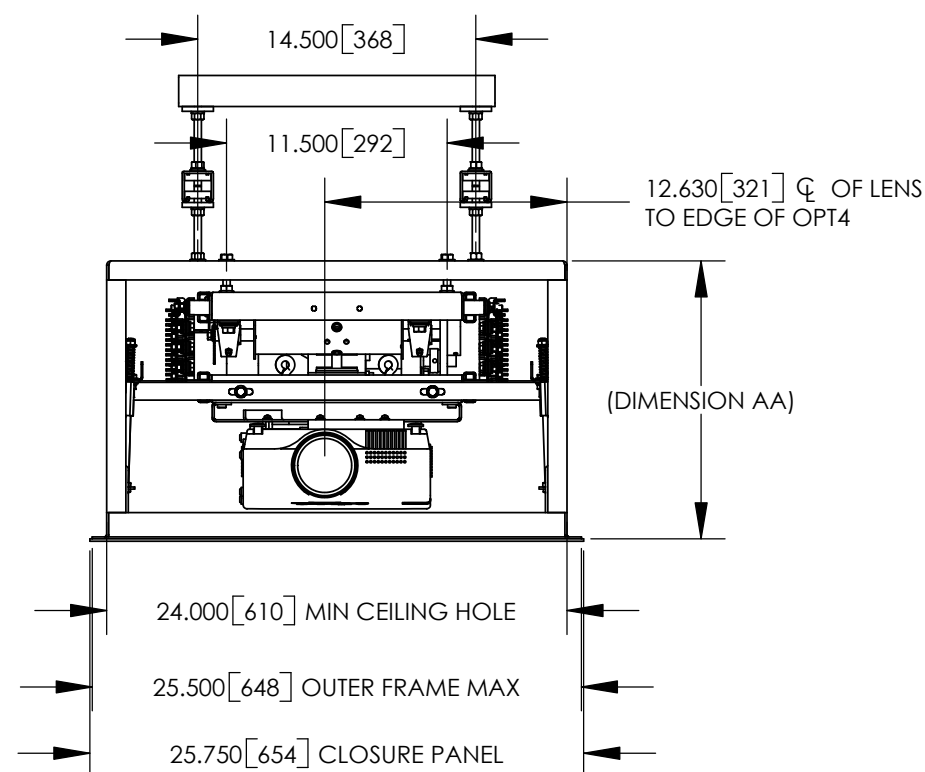
LCD SIZE	DIMENSION AA	
	INCHES	mm
LCD-104	14.500	368
LCD-105	15.500	394
LCD-106	16.500	419
LCD-107	17.500	445

UNISTRUT P1000 T CHANNEL
AND 3/8" THREADED ROD
(RECOMMENDED)



NOTES:

- * UNITS = INCHES [mm].
- * DIMENSION AA IS REQUIRED SPACE ABOVE CEILING.
- * COMPONENTS SHOWN ARE THE PANASONIC PT-L735 WITH MOUNT (73-258), LCD-104, OPT4 AND OPT1.
- * CTB ROD LENGTH IS 8.750".



DETAIL A
SCALE 1 : 3

		DISPLAY DEVICES, INC 5880 SHERIDAN BLVD ARVADA, CO 80003				
		TITLE LCD - OPT4 STD - OPT1 LIPPED - W/PANASONIC PT-L735				
THE INFORMATION CONTAINED IN THIS DRAWING IS THE PROPERTY OF DISPLAY DEVICES, INC. ANY REPRODUCTION IN PART OR WHOLE WITHOUT THE WRITTEN PERMISSION OF DISPLAY DEVICES, INC IS PROHIBITED	UNLESS OTHERWISE SPECIFIED DIMENSIONS ARE IN INCHES. TOLERANCES: .XX = ± .02 .XXX = ± .010 .XXXX = ± .0050 ANGLE = ± 0.5	DRAWN BAR	DATE 3/24/2004	SIZE B	DRAWING NO. 314-021	REV A
MATERIAL NONE	FINISH NONE	SCALE NONE	FILE NAME 314-021.SLDDRW	SHEET 1 OF 2		