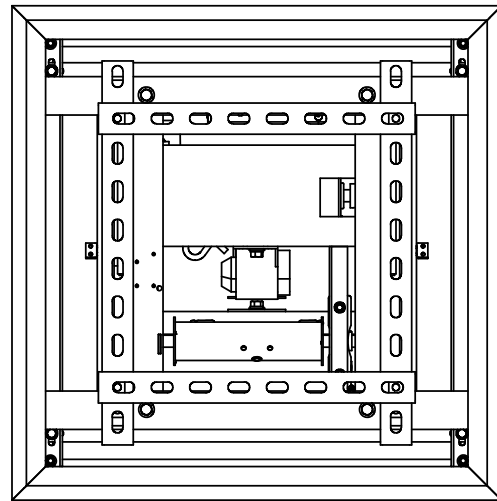
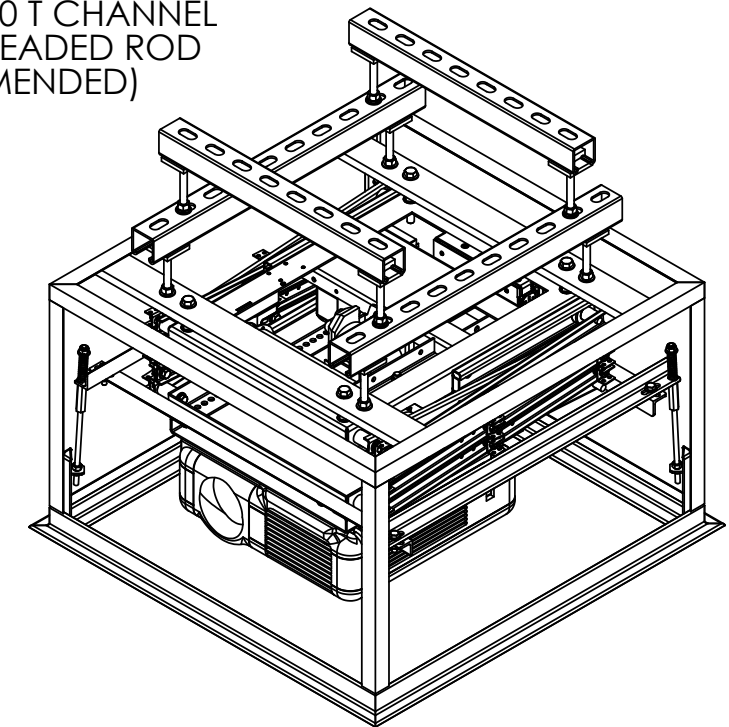


DRAWING REVISION BLOCK						
REV	ER	DESCRIPTION	DRAWN	CHECKED	APPROVED	DATE



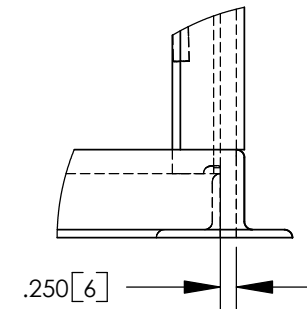
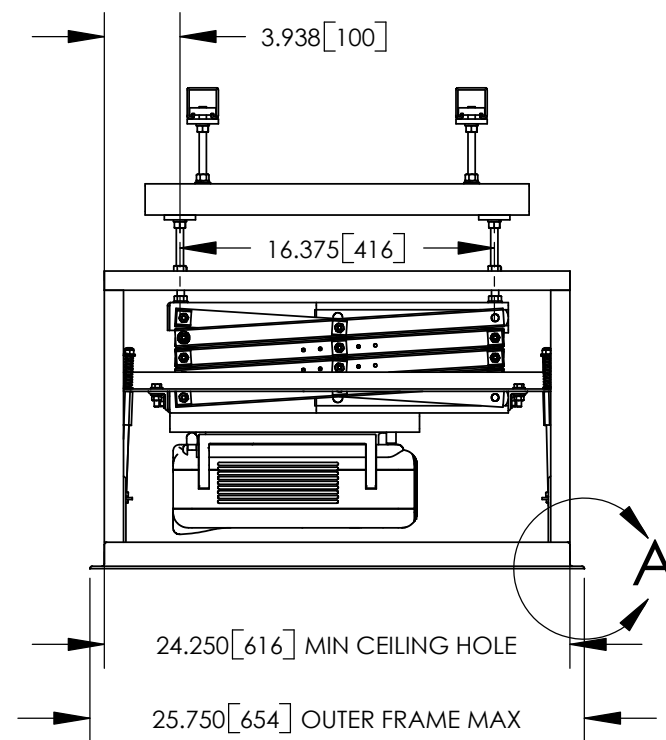
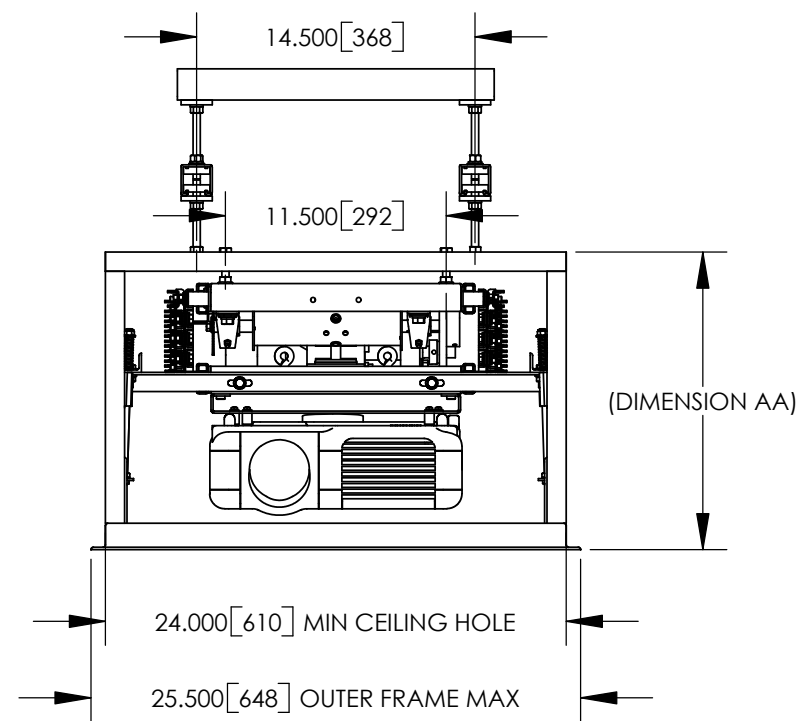
LCD SIZE	DIMENSION AA	
	INCHES	mm
LCD-104	15.500	394
LCD-105	16.500	419
LCD-106	17.500	445
LCD-107	18.500	470

UNISTRUT P1000 T CHANNEL  
AND 3/8" THREADED ROD  
(RECOMMENDED)



NOTES:

- \* UNITS = INCHES [mm].
- \* DIMENSION AA IS REQUIRED SPACE ABOVE CEILING.
- \* COMPONENTS SHOWN ARE THE NEC MT1060/1065 WITH MOUNT 73-226, LCD-104, OPT3 AND OPT1.
- \* CTB ROD LENGTH IS 8.750".
- \* OPT3 SKINS ARE REMOVED IN THESE DRAWING VIEWS.



DETAIL A  
SCALE 1 : 3

		<b>DISPLAY DEVICES, INC</b> 5880 SHERIDAN BLVD ARVADA, CO 80003			
		TITLE <b>LCD - OPT3 CUSTOM SIZE - OPT1          LIPLESS - W/NEC MT1060/1065</b>			
THE INFORMATION CONTAINED IN THIS DRAWING IS THE PROPERTY OF DISPLAY DEVICES, INC. ANY REPRODUCTION IN PART OR WHOLE WITHOUT THE WRITTEN PERMISSION OF DISPLAY DEVICES, INC IS PROHIBITED	UNLESS OTHERWISE SPECIFIED DIMENSIONS ARE IN INCHES.  TOLERANCES: .XX = ± .02 .XXX = ± .010 .XXXX = ± .0050 ANGLE = ± 0.5	DRAWN RLS CHECKED DATE 10/21/2004	DATE 10/21/2004	SIZE <b>B</b>	DRAWING NO. 314-086
MATERIAL NONE	FINISH NONE	SCALE NONE	FILE NAME 314-086.SLDDRW	REV A	SHEET 1 OF 2