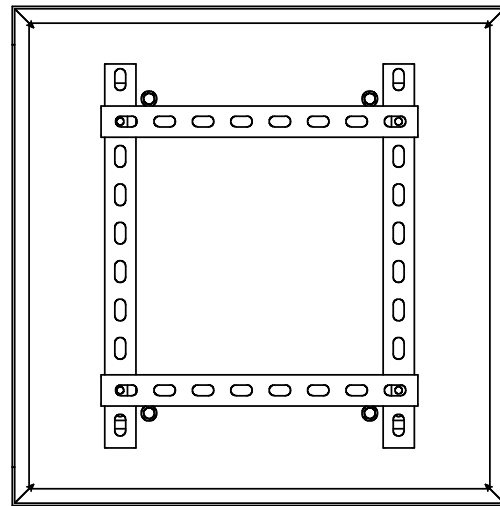
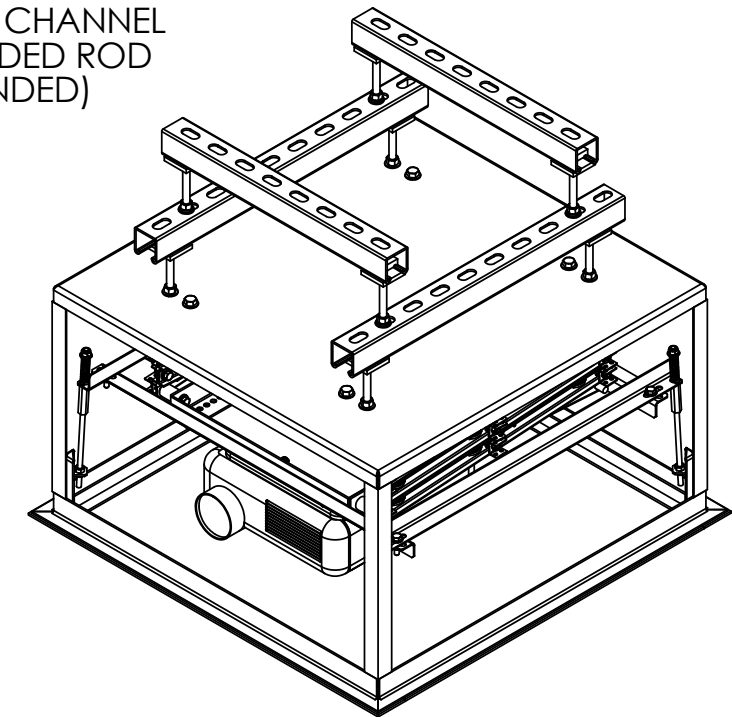


DRAWING REVISION BLOCK						
REV	ER	DESCRIPTION	DRAWN	CHECKED	APPROVED	DATE
A		RELEASE FOR PRODUCTION	RLS			



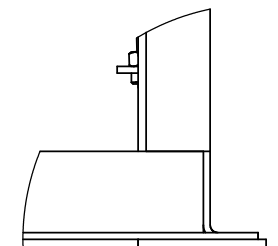
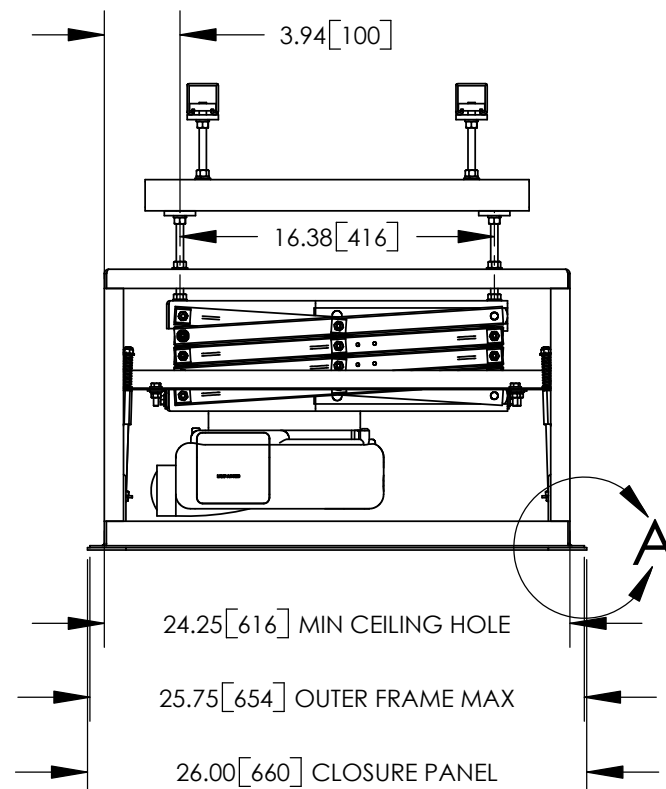
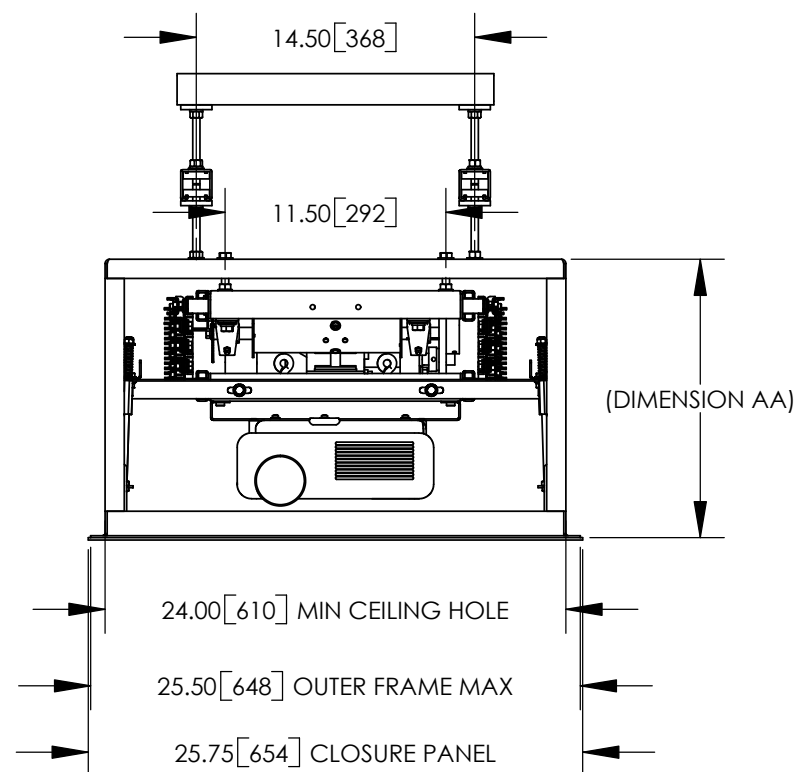
LCD SIZE	DIMENSION AA	
	INCHES	mm
LCD-104	14.500	368
LCD-105	15.500	394
LCD-106	16.500	419
LCD-107	17.500	445

UNISTRUT P1000 T CHANNEL
AND 3/8" THREADED ROD
(RECOMMENDED)



NOTES:

- * UNITS = INCHES [mm].
- * DIMENSION AA IS REQUIRED SPACE ABOVE CEILING.
- * COMPONENTS SHOWN ARE THE NEC LT260 WITH MOUNT 73-150, LCD-104, OPT3 AND OPT1.
- * CTB ROD LENGTH IS 8.750".
- * OPT3 SKINS ARE REMOVED IN THESE DRAWING VIEWS.



DETAIL A
SCALE 1 : 3

		DISPLAY DEVICES, INC 5880 SHERIDAN BLVD ARVADA, CO 80003	
THE INFORMATION CONTAINED IN THIS DRAWING IS THE PROPERTY OF DISPLAY DEVICES, INC. ANY REPRODUCTION IN PART OR WHOLE WITHOUT THE WRITTEN PERMISSION OF DISPLAY DEVICES, INC IS PROHIBITED		UNLESS OTHERWISE SPECIFIED DIMENSIONS ARE IN INCHES. TOLERANCES: .XX = ± .02 .XXX = ± .010 .XXXX = ± .0050 ANGLE = ± 0.5	
TITLE LCD - OPT3 STD - OPT1 LIPPED - W/NEC LT260		DRAWN RLS	DATE 2/17/2005
CHECKED	DATE	SIZE B	DRAWING NO. 314-104
MATERIAL NONE		SCALE NONE	FILE NAME 314-104.SLDDRW
FINISH NONE		REV A	
		SHEET 1 OF 2	