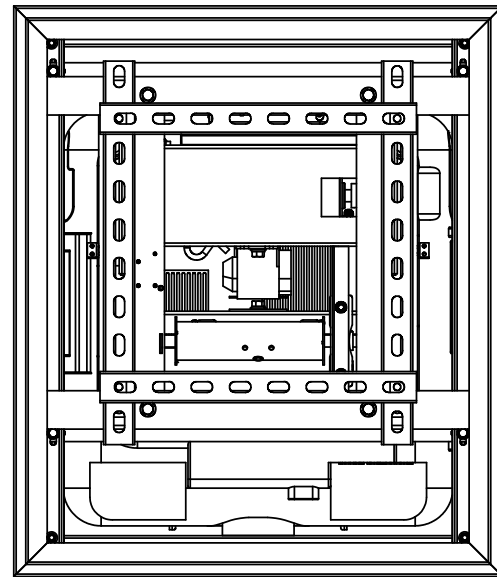
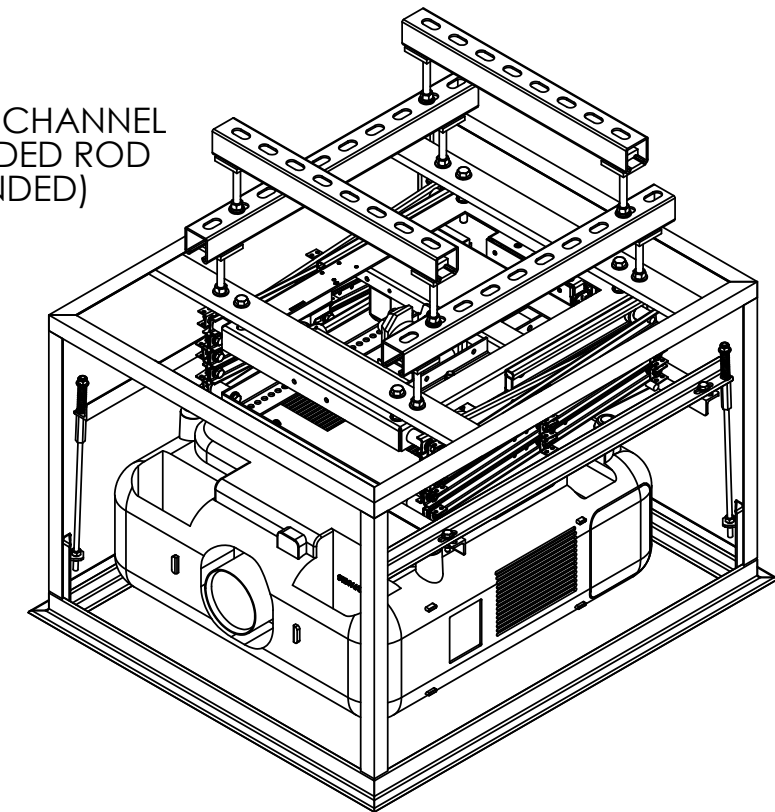


DRAWING REVISION BLOCK						
REV	ER	DESCRIPTION	DRAWN	CHECKED	APPROVED	DATE
A		RELEASE FOR PRODUCTION.	BAR			

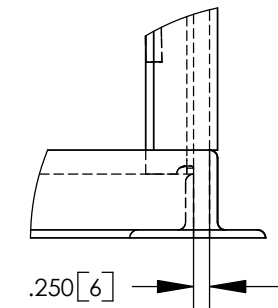
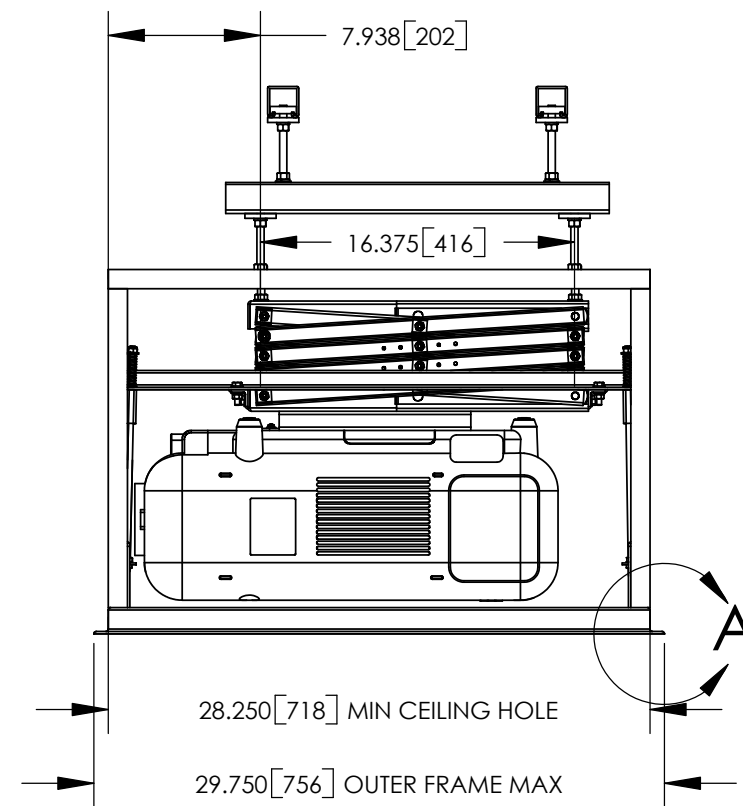
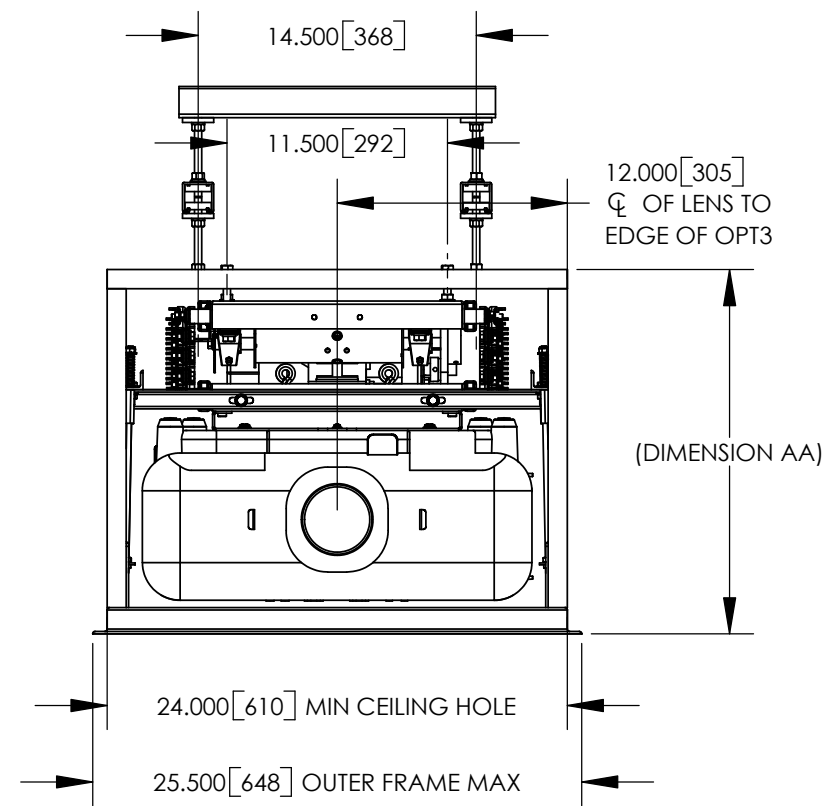


LCD SIZE	DIMENSION AA	
	INCHES	mm
LCD-104	19.000	483
LCD-105	20.000	508
LCD-106	21.000	533
LCD-107	22.000	559

UNISTRUT P1000 T CHANNEL
AND 3/8" THREADED ROD
(RECOMMENDED)



- NOTES:
- * UNITS = INCHES [mm].
 - * DIMENSION AA IS REQUIRED SPACE ABOVE CEILING.
 - * COMPONENTS SHOWN ARE THE NEC GT5000 WITH MOUNT (73-361), LCD-104, OPT3 AND OPT1.
 - * CTB ROD LENGTH IS 12.250".
 - * OPT3 SKINS ARE REMOVED IN THESE DRAWING VIEWS.



DETAIL A
SCALE 1 : 3

		DISPLAY DEVICES, INC 5880 SHERIDAN BLVD ARVADA, CO 80003			
		TITLE LCD - OPT3 OFFSET SIZE - OPT1 LIPLESS - W/NEC GT5000			
THE INFORMATION CONTAINED IN THIS DRAWING IS THE PROPERTY OF DISPLAY DEVICES, INC. ANY REPRODUCTION IN PART OR WHOLE WITHOUT THE WRITTEN PERMISSION OF DISPLAY DEVICES, INC IS PROHIBITED	UNLESS OTHERWISE SPECIFIED DIMENSIONS ARE IN INCHES. TOLERANCES: .XX = ± .02 .XXX = ± .010 .XXXX = ± .0050 ANGLE = ± 0.5	DRAWN BAR	DATE 3/9/2004	SIZE B	DRAWING NO. 314-015
CHECKED	DATE	MATERIAL NONE	FINISH NONE	SCALE NONE	FILE NAME 314-015.SLDDRW
				REV A	SHEET 1 OF 2