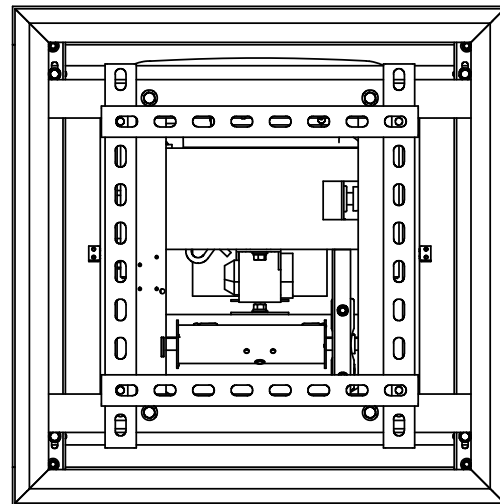
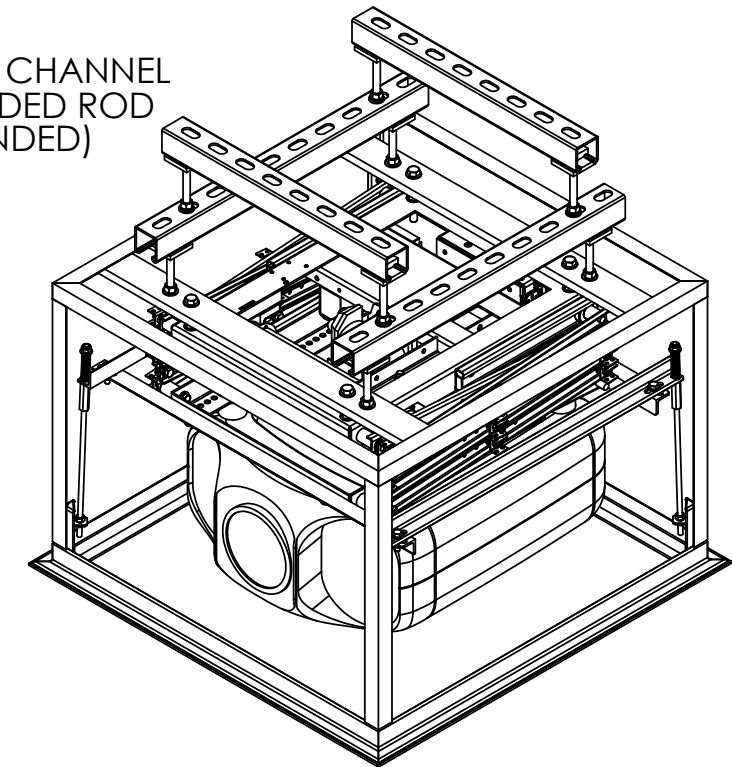


DRAWING REVISION BLOCK						
REV	ER	DESCRIPTION	DRAWN	CHECKED	APPROVED	DATE



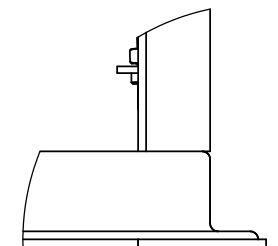
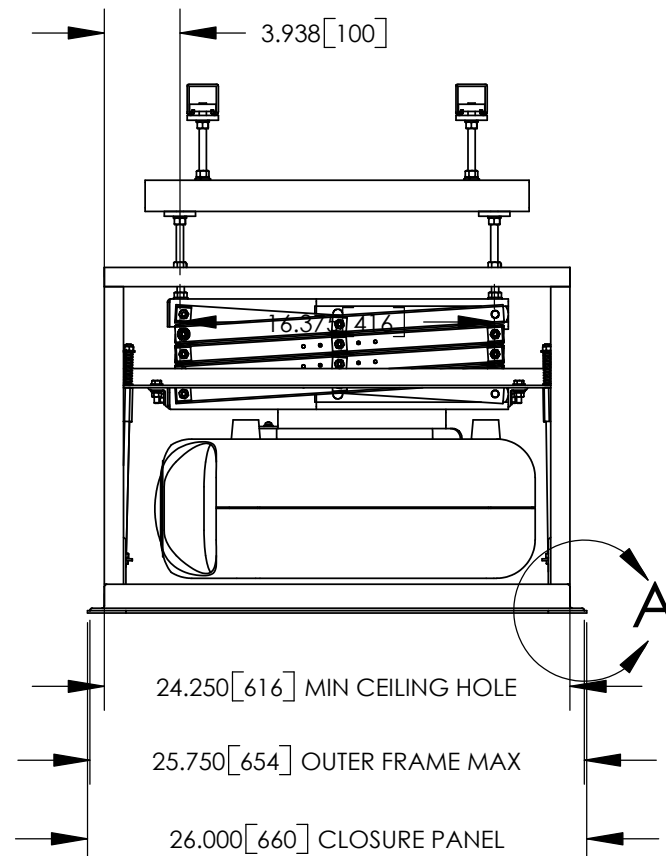
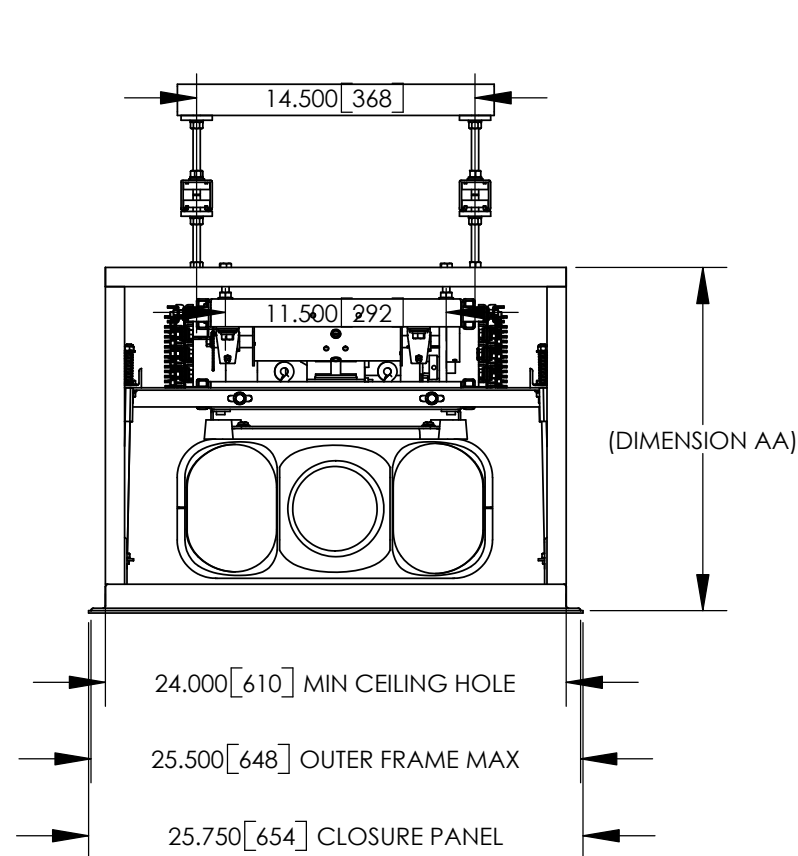
LCD SIZE	DIMENSION AA	
	INCHES	mm
LCD-104	17.875	454
LCD-105	18.875	479
LCD-106	19.875	505
LCD-107	20.875	530

UNISTRUT P1000 T CHANNEL  
AND 3/8" THREADED ROD  
(RECOMMENDED)



NOTES:

- \* UNITS = INCHES [mm].
- \* DIMENSION AA IS REQUIRED SPACE ABOVE CEILING.
- \* COMPONENTS SHOWN ARE THE NEC GT-1150 WITH MOUNT 73-046, LCD-104, OPT4 AND OPT1.
- \* CTB ROD LENGTH IS 12.125".



DETAIL A  
SCALE 1 : 3

		<b>DISPLAY DEVICES, INC</b> 5880 SHERIDAN BLVD ARVADA, CO 80003			
		TITLE <b>LCD - OPT4 CUSTOM SIZE - OPT1          LIPPED - W/NEC GT-1150</b>			
THE INFORMATION CONTAINED IN THIS DRAWING IS THE PROPERTY OF DISPLAY DEVICES, INC. ANY REPRODUCTION IN PART OR WHOLE WITHOUT THE WRITTEN PERMISSION OF DISPLAY DEVICES, INC IS PROHIBITED	UNLESS OTHERWISE SPECIFIED DIMENSIONS ARE IN INCHES.  TOLERANCES: .XX = ± .02 .XXX = ± .010 .XXXX = ± .0050 ANGLE = ± 0.5	DRAWN RLS CHECKED DATE 9/24/2004	DATE 9/24/2004	SIZE <b>B</b>	DRAWING NO. 314-079
MATERIAL NONE		FINISH NONE		SCALE NONE	FILE NAME 314-079.SLDDRW
				REV <b>A</b>	SHEET 1 OF 2