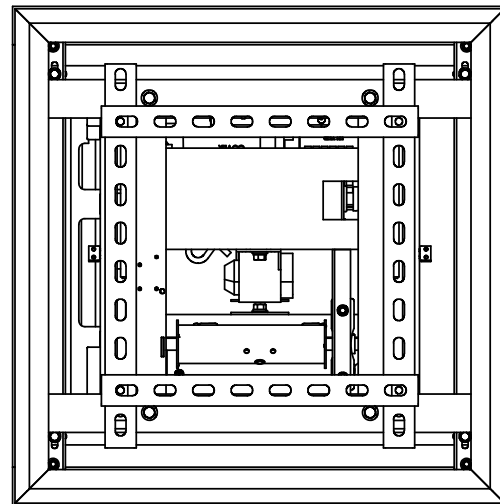
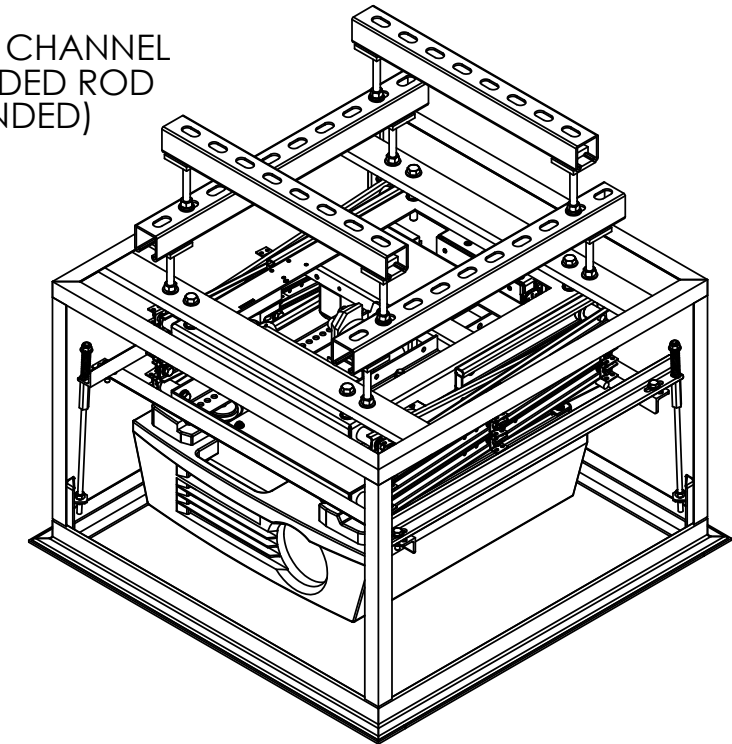


DRAWING REVISION BLOCK						
REV	ER	DESCRIPTION	DRAWN	CHECKED	APPROVED	DATE



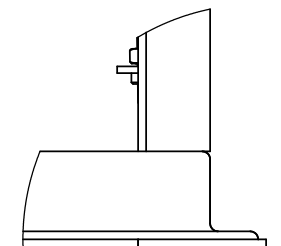
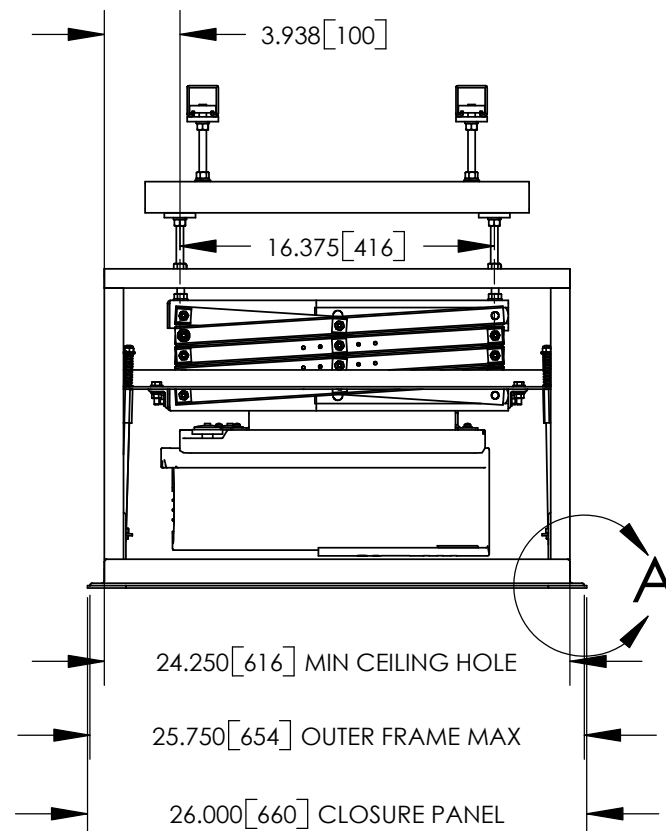
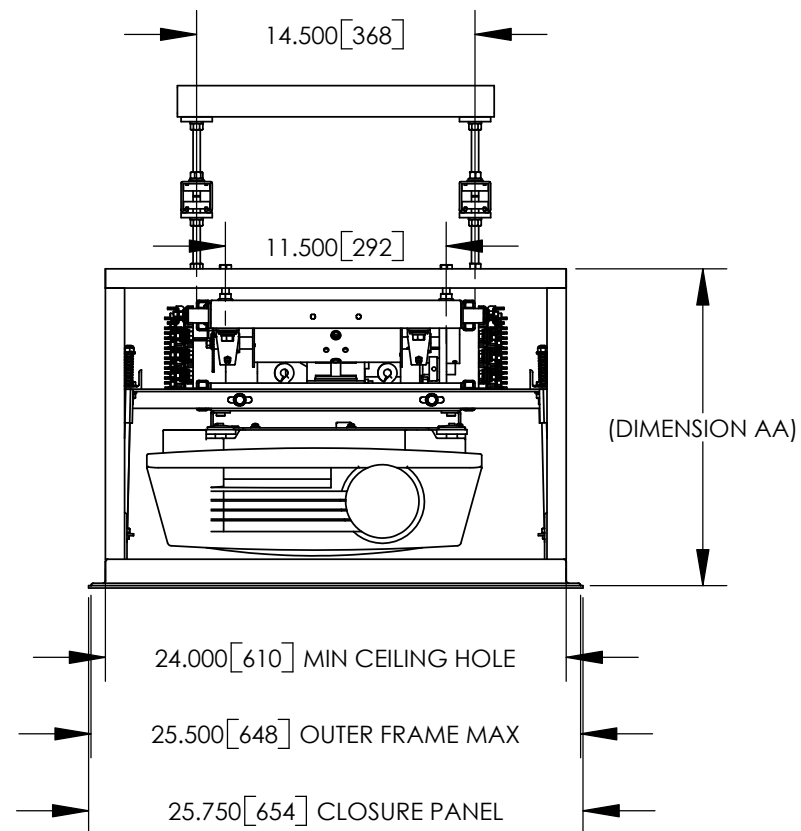
LCD SIZE	DIMENSION AA	
	INCHES	mm
LCD-104	16.500	419
LCD-105	17.500	445
LCD-106	18.500	470
LCD-107	19.500	495

UNISTRUT P1000 T CHANNEL
AND 3/8" THREADED ROD
(RECOMMENDED)



NOTES:

- * UNITS = INCHES [mm].
- * DIMENSION AA IS REQUIRED SPACE ABOVE CEILING.
- * COMPONENTS SHOWN ARE THE MITSUBISHI XL-5900U WITH MOUNT 73-415, LCD-104, OPT3 AND OPT1.
- * CTB ROD LENGTH IS 10.750".
- * OPT3 SKINS ARE REMOVED IN THESE DRAWING VIEWS.



DETAIL A
SCALE 1 : 3

		DISPLAY DEVICES, INC 5880 SHERIDAN BLVD ARVADA, CO 80003				
		TITLE LCD - OPT3 CUSTOM SIZE - OPT1 LIPPED - W/MITSUBISHI XL-5900U				
THE INFORMATION CONTAINED IN THIS DRAWING IS THE PROPERTY OF DISPLAY DEVICES, INC. ANY REPRODUCTION IN PART OR WHOLE WITHOUT THE WRITTEN PERMISSION OF DISPLAY DEVICES, INC IS PROHIBITED	UNLESS OTHERWISE SPECIFIED DIMENSIONS ARE IN INCHES. TOLERANCES: .XX = ± .02 .XXX = ± .010 .XXXX = ± .0050 ANGLE = ± 0.5	DRAWN RLS	DATE 6/8/2004	SIZE B	DRAWING NO. 314-044	REV A
MATERIAL NONE		FINISH NONE		SCALE NONE	FILE NAME 314-044.SLDDRW	SHEET 1 OF 2