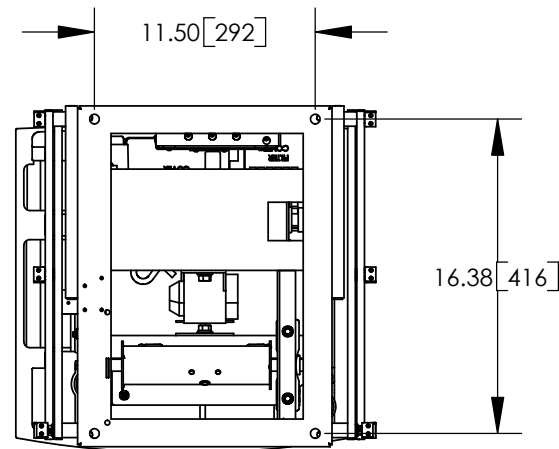
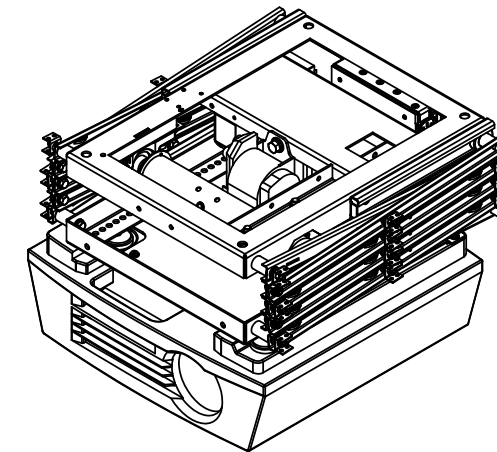


DRAWING REVISION BLOCK						
REV	ER	DESCRIPTION	DRAWN	CHECKED	APPROVED	DATE
A		RELEASE FOR PRODUCTION	RLS			3/23/2005

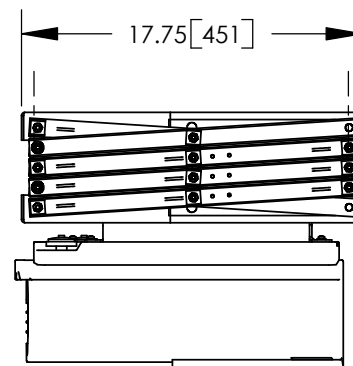
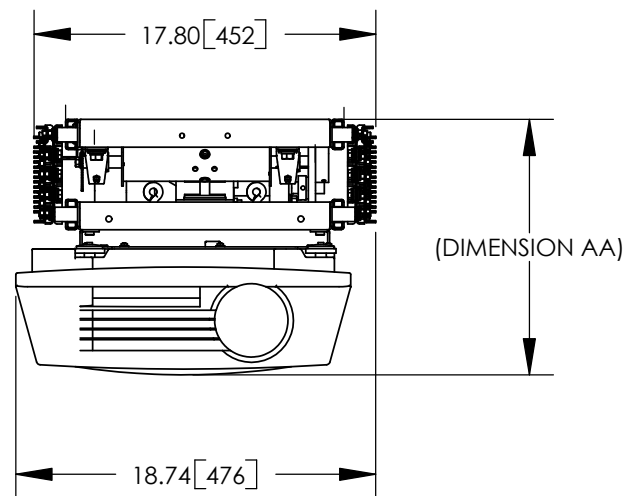



LCD SIZE	DIMENSION AA	
	INCHES	mm
LCD-104	13.375	340
LCD-105	14.375	365
LCD-106	15.375	391
LCD-107	16.375	416



NOTES:

- * UNITS = INCHES [mm].
- * DIMENSION AA IS REQUIRED SPACE ABOVE CEILING.
- * COMPONENTS SHOWN ARE THE MITSUBISHI XL-5900U. WITH MOUNT 73-415, LCD-104.



 THE INFORMATION CONTAINED IN THIS DRAWING IS THE PROPERTY OF DISPLAY DEVICES, INC. ANY REPRODUCTION IN PART OR WHOLE WITHOUT THE WRITTEN PERMISSION OF DISPLAY DEVICES, INC IS PROHIBITED		UNLESS OTHERWISE SPECIFIED DIMENSIONS ARE IN INCHES. TOLERANCES: .XX = ± .02 .XXX = ± .010 .XXXX = ± .0050 ANGLE = ± 0.5		DISPLAY DEVICES, INC 5880 SHERIDAN BLVD ARVADA, CO 80003		
				TITLE LCD W/MITSUBISHI XL5900U PROJECTOR AND MOUNT		
DRAWN	RLS	DATE	6/7/2004	SIZE	DRAWING NO.	REV
CHECKED		DATE		B	314-500	A
MATERIAL	NONE			SCALE	FILE NAME	
FINISH	NONE			NONE	314-044.SLDDRW	SHEET 1 OF 2